



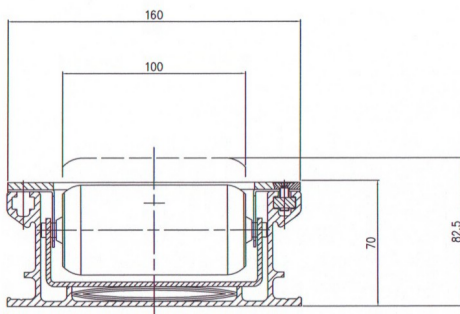
"Rollerbed Systems' capabilities will meet or exceed your requirements."

Pneumatic Roller Track



Model RB 4

Rollerbed Systems, LLC provides safe, quick, "State Of The Art" pneumatic retractable roller systems for moving general palletised freight into and out of trucks and trailers. Parallel lanes of track are installed flush with the floor. Simply push in a button and 30 pounds of air pressure fills an air cell that raises the rollers .5" above the surface of the floor. With only 1% rolling resistance on a level surface, a heavily loaded pallet can be moved with 25 pounds of force. Once the vehicle is loaded and the rollers are retracted the load rests firmly and safely on the floor. A backup safety feature will also lower the rollers when the brakes are released.



DIMENSIONS ARE IN MILLIMETERS

Rollerbed Systems has Sales Offices in the Eastern and Western Regions of the United States. We service the United States, Mexico, Latin America and Canada. A network of installation and service facilities are located throughout North America. Systems can also be supplied in complete kit form.



Features and Benefits

- Roller width of 4" to meet a variety of applications for wooden and plastic pallets.
- Roller spacing of 3" or 4" to suit load applications.
- High-strength, corrosion-resistant galvanized steel rollers, with steel bearings.
- Rollers feature sealed, dual bearings units, containing 12 ball bearings per race to minimize rolling resistance.
- Stainless Steel control box with stainless steel hinges & pins and self closing cover, impervious to the elements.
- Weight capacity rated at over 400 lbs./linear ft.; typically exceeding the gross weight capacity of standard vehicles.
- Roller lift of .5" above top plate to allow for adequate rolling clearance.
- High-strength, corrosion-resistant 1/4" thick, galvanized steel top plate.
- Heavy duty 6105-T5 aluminum extruded main channels.
- Airbag clamps, clam-shell style, reduces air leaks and maintenance.
- Stainless Steel fasteners, thread locked to resist vibration and loosening.
- Labyrinth design to protect the lifting airbag from debris

**Rollerbed Systems, LLC maintains a comprehensive parts inventory.
In most cases, parts can be shipped within 24 hours.
Warranty: Rollerbed Systems Pneumatic rollers offer a 2-year warranty.**

The air supply for the Rollerbed System is taken from the vehicle's on board air compressor. A Pressure Protection Valve (PPV) monitors the air pressure; once the vehicle air brake system is functional: (typically after the pressure reaches 80 p.s.i.) the PPV opens and allows air to flow into the segregated Rollerbed System air reservoir(s) to supply the pneumatic rollers.



applications.

The focus of Rollerbed Systems, LLC is to offer a product that is best in the industry, providing quality engineering, manufacturing and service.



System air is fed via nylon air lines, featuring easy push-in connectors, from the auxiliary air reservoir(s) to the stainless steel control box containing a pressure regulating valve and air control valve(s). Typical plumbing is designed for ease of operation; one push-pull valve will raise and lower the entire system. Pneumatic plumbing layouts can also be designed for custom



Corporate Office & Manufacturing:
280 West Sixth Street,
West Wyoming, PA 18644.
Phone: 866-779-8302
Fax: 610-779-8332
sales@rollerbedsys.com

Eastern Region Sales Office
Frank Willis
Phone: 908-246-8935
Fax: 610-965-1708
frank.willis@rollerbedsys.com

Western Region Sales Office
Bill Vigil
Phone: 925-240-1776
Fax: 925-240-1778
bill.vigil@rollerbedsys.com

**Visit our web site for further information
www.rollerbedsystems.com**