

Stucco and Plaster

Section: 09200

Foundation Sill Screeds



Product Number	Ground	Dimensions/Descriptions	Pieces Per Box
631-50	1/2" (13mm)	FHA sill screed, 2-1/2" (64 mm) wide perforated flange. Masonry applications.	35
631-58	5/8" (16mm)		35
631-75	3/4" (19mm)		35
631-78	7/8" (22mm)		30
632-38	3/8" (10mm)	No holes on stop.	35
632-50	1/2" (13mm)	FHA Sill screed, 3 1/2" (89 mm) wide flange. Framing Applications.	35
632-58	5/8" (16mm)		35
632-75	3/4" (19mm)		35
632-78	7/8" (22mm)		30
632-78EL	7/8" (22mm)	EL has 1/2"(13 mm) extended leg for sheathing.	30
632-100	1" (25mm)		25

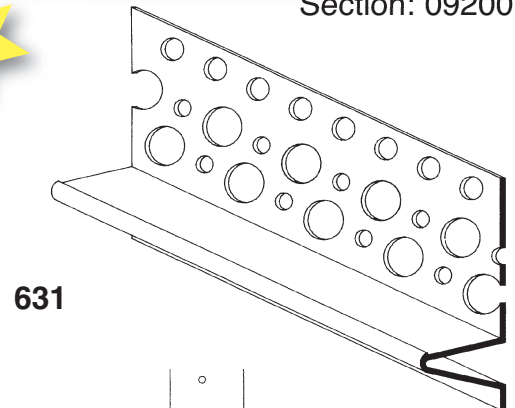
10' (3 m) Lengths

Application:

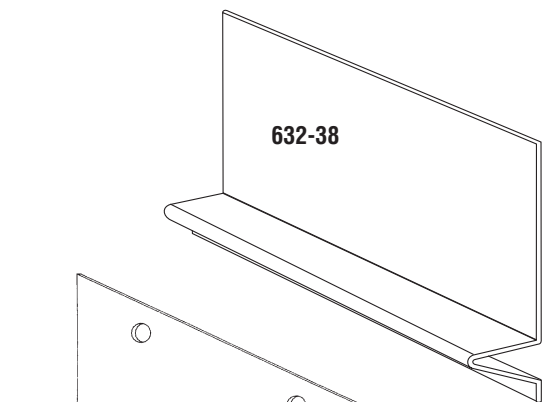
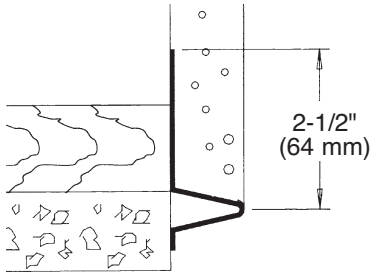
To be installed at plate line or stem wall, to provide a stucco stop. Design allows moisture to migrate down and shed away from wall.

Specification:

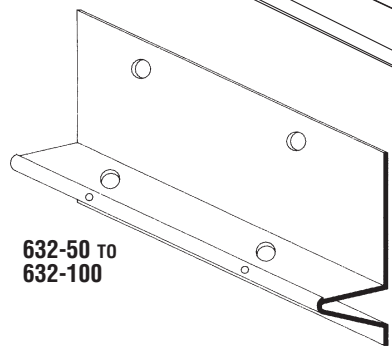
Foundation Sill Screeds shall be Plastic Components, Inc. # _____. All exterior accessories shall be of PVC material conforming to ASTM standards D1784, C1063 and D4216. They shall be used where specified by the architect and installed per industry standards.



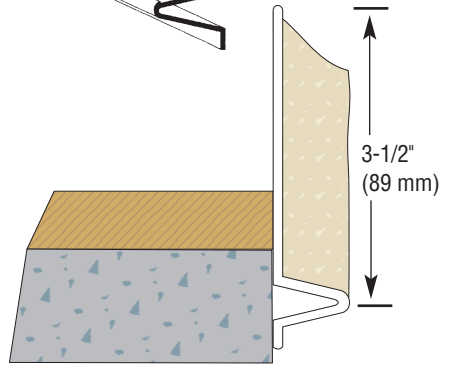
631



632-38



632-50 to 632-100



Caulk all butt joints, intersections and ends.



800.327.7077
www.plasticcomponents.com