

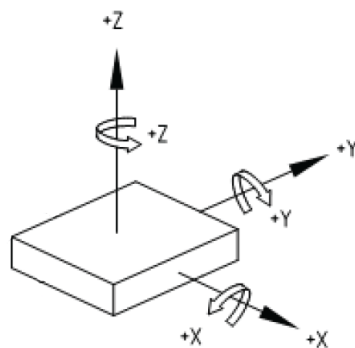


Gyroscope / Anti-Collision Technology

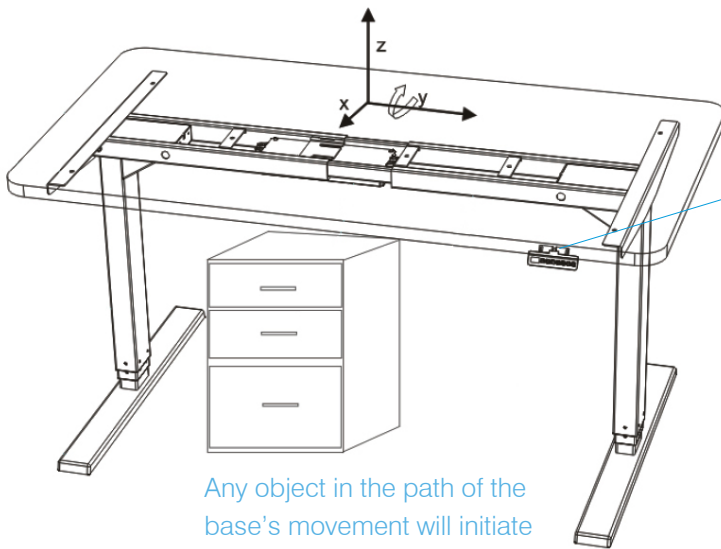
ACTIV / KINEX bases

ACTIV and KINEX bases have built-in gyroscope sensors in their control boxes which can detect angle and speed changes on three axis, triggering the anti-collision safety feature. When activated, bases reverse direction for 2 seconds before stopping.

Reaction Time: 50ms-600ms



Gyro anti-collision technology senses changes on 3 axis



Sensor technology located in ACTIV / KINEX control boxes

Any object in the path of the base's movement will initiate the anti-collision safety feature, reversing the direction of the base for 2 seconds