



# **Patriot Dazzle 22**

## **Multi-purpose Video Magnifier**

### **User Manual**

# Dazzle-LCD User Manual

## Contents

<b>1.</b>	<b>Introduction.....</b>	<b>1</b>
	<b>About this manual.....</b>	<b>1</b>
<b>2.</b>	<b>Safety and care.....</b>	<b>1</b>
<b>3.</b>	<b>What's in the box.....</b>	<b>2</b>
<b>4.</b>	<b>Getting to know your Dazzle-LCD.....</b>	<b>3</b>
	<b>Setting up the Dazzle-LCD.....</b>	<b>3</b>
	<b>Choosing between left- or right-hand usage.....</b>	<b>4</b>
	<b>Positioning the camera head and the camera arm.....</b>	<b>4</b>
	<b>Camera positions.....</b>	<b>6</b>
	<b>Close-up viewing.....</b>	<b>6</b>
	<b>Self-viewing.....</b>	<b>6</b>
	<b>Distance viewing.....</b>	<b>6</b>
<b>5.</b>	<b>Getting started.....</b>	<b>7</b>
	<b>Switching On/Off.....</b>	<b>7</b>
	<b>Setting the magnification.....</b>	<b>7</b>
	<b>Viewing modes.....</b>	<b>8</b>
	<b>Find function.....</b>	<b>9</b>
	<b>Auto-focus lock.....</b>	<b>9</b>
	<b>Using the snapshot button.....</b>	<b>10</b>
	<b>Activating line markers / window shades.....</b>	<b>10</b>
	<b>Positioning of lines / windows.....</b>	<b>11</b>
	<b>White balance.....</b>	<b>11</b>
	<b>Left / right rotation.....</b>	<b>12</b>
<b>6.</b>	<b>Warranty conditions.....</b>	<b>13</b>
<b>7.</b>	<b>Specifications of the Dazzle-LCD.....</b>	<b>13</b>
<b>8.</b>	<b>Contact / product support.....</b>	<b>14</b>

# 1. Introduction

Congratulations on choosing the Dazzle-LCD, an easily transportable auto-focus video magnification system from Magnifying America. Use the Dazzle-LCD for reading, writing, viewing photographs, doing crafts and much more.

The Dazzle-LCD enables you to view printed text, images, and objects up to 79 times magnification in different colors. With its ergonomic control panel, and flexible camera arm, the Dazzle-LCD excels in operating and reading comfort. The Dazzle-LCD can be used at home or in school and office settings.

If you have any questions or suggestions concerning the use of this product, please contact Magnifying America using the contact information found at the end of this user manual. We hope you enjoy working with your Dazzle-LCD.

## About this manual

This user manual provides a comprehensive guide to the features and operation of the Dazzle-LCD video magnifier. Please read this user manual carefully before using the Dazzle-LCD and keep the user manual in a safe place for future reference.

# 2. Safety and care

- Only use the Dazzle-LCD indoors.
- Do not expose the Dazzle-LCD to extreme or rapid changes in temperature or humidity. Do not place Dazzle-LCD near a radiator or heater, or where it will be exposed to direct sunlight. These conditions may damage electronics or optics of the Dazzle-LCD.
- Do not use the Dazzle-LCD near other electric appliances or inadequately shielded medical devices. It may cause an electromagnetic interference.
- Do not place this system on an unstable surface. It may fall, causing serious damage to the unit or injuries to the user.
- Handle the Dazzle-LCD with care. Rough handling will damage the internal components.
- If moving the Dazzle-LCD to another location, disconnect the power cord and other cables from external connectors. Carry the Dazzle-LCD by grabbing the handle located at the rear of the unit for safe and easy transport.

- The reading table and camera arm contain moving and removable mechanical parts. Please use care while removing or adjusting the mechanical parts. (Users are recommended not to remove the mechanical parts frequently.) Injury may occur if fingers or loose items of clothing are caught in the operating mechanisms. If you have difficulty operating the unit safely, please contact Magnifying America.
- Do not remove any parts of the Dazzle-LCD. Contact Magnifying America to service the Dazzle-LCD if necessary. Do not open any of the components as this will void the warranty. Each component contains parts which should only be serviced by a repair specialist.
- Always turn the power off when the system is not in use.
- Always unplug the system before cleaning. Use a soft damp cloth to clean the exterior. Do not use cleaning agents or abrasive materials as they will damage your unit. Avoid touching the lens of the camera and keep it clean by using proper cleaning means.
- Do not use the unit under +41°F (5°C) or above +104°F (40°C).

Use of the Dazzle-LCD other than that described in this user manual will exclude it from warranty conditions.

### **3. What's in the box**

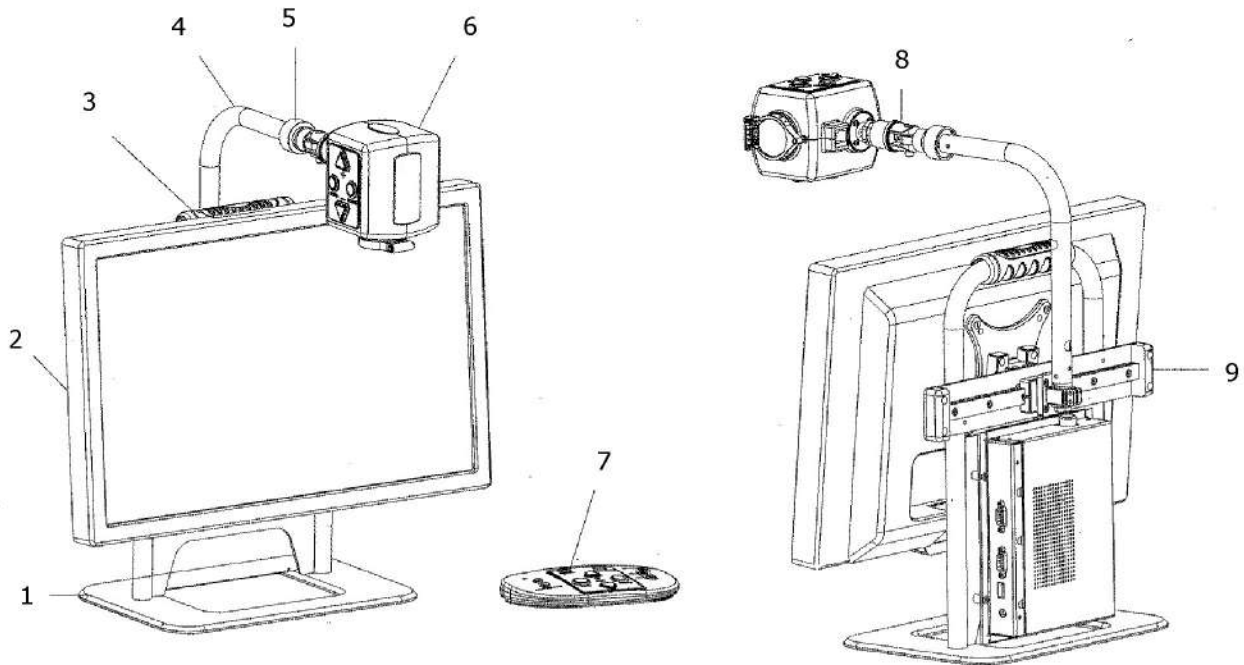
The Dazzle-LCD packaging contains the following:

- The mainframe of Dazzle-LCD
- A detachable camera unit
- A control pad
- A power cord
- This user manual
- Lens cloth
- Optional carrying case
- Optional X-Y table

If any items are missing from your package, please contact Magnifying America.

## 4. Getting to know your Dazzle-LCD

The following figure shows the main components of the Dazzle-LCD.



1. Base Stand
2. 19" Wide Screen Display
3. Handle
4. Camera Arm
5. Camera Connection Point

6. Camera Head
7. Control Pad
8. Camera Rotation Axis
9. Slide Track

### Setting up the Dazzle-LCD

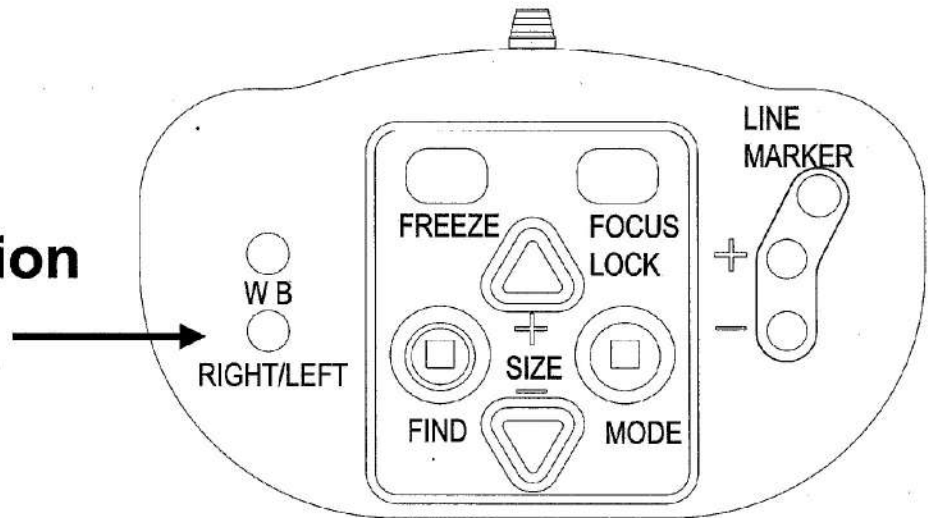
To set up the Dazzle-LCD, please follow the steps described below:

1. Attach the camera head to the camera arm by fastening the screw flange at the camera connection point.
2. Connect the data cable to the data cable connector located at the rear of the camera head.

## Choosing between left- or right-hand usage

The Dazzle-LCD is designed for both left- and right-handed users. To set the unit according to left- or right-hand use, position the camera head as described in the next paragraph and rotate the Dazzle-LCD image if necessary by pressing the RIGHT/LEFT button on the control pad.

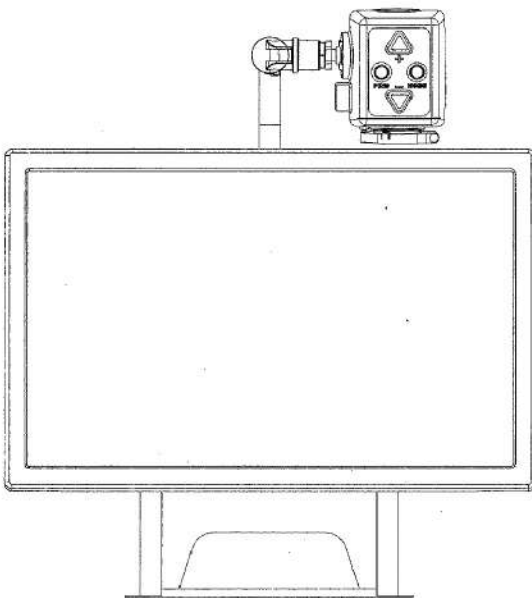
### Left / right rotation



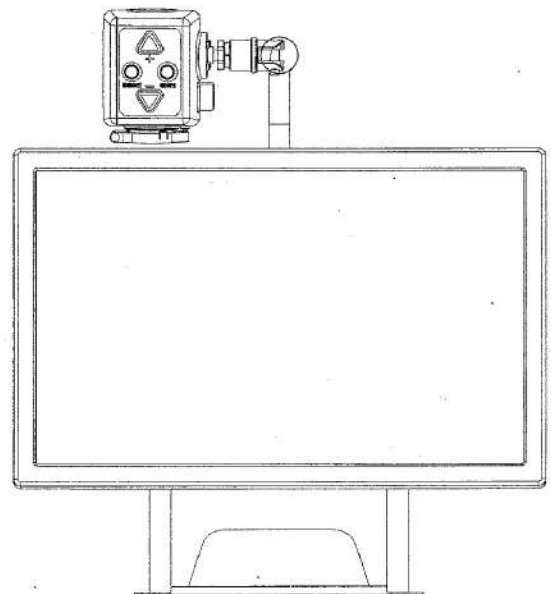
### Control pad

## Positioning the camera head and the camera arm

The Dazzle-LCD features a flexible camera head and camera arm. The camera head can be rotated in front of the screen 180 degrees around a vertical axis to fit both left- and right-hand use. The following figure shows the camera head at the position for right- and left-hand use.

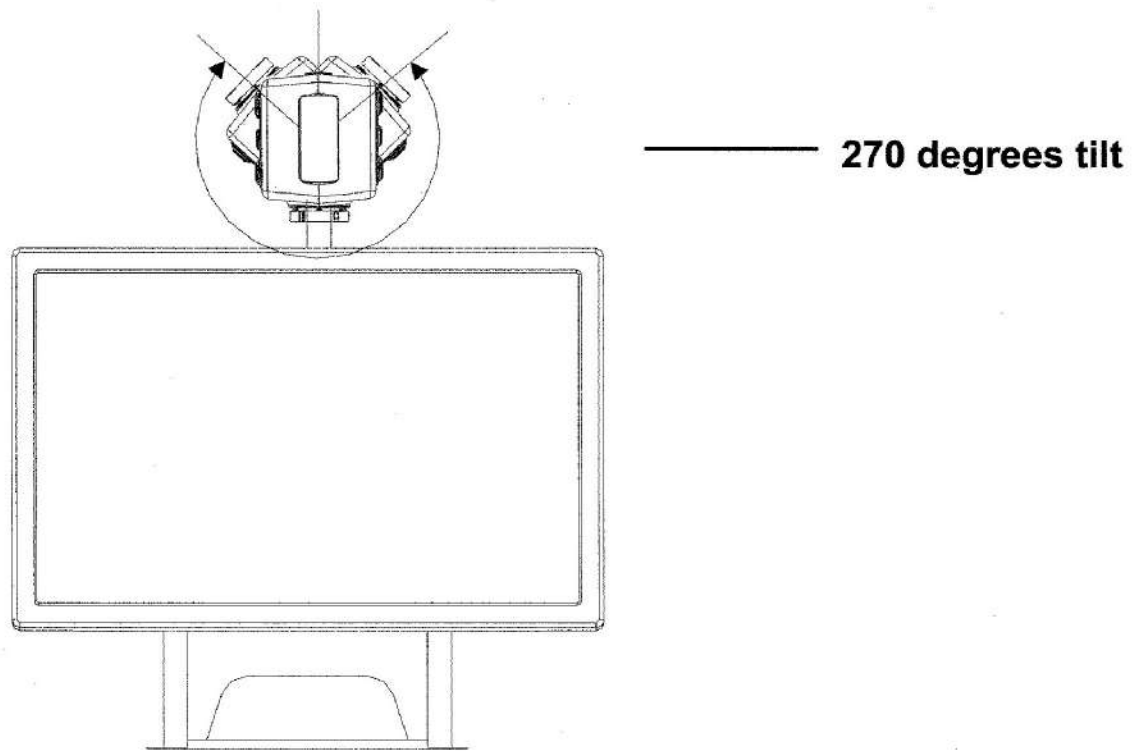


Camera position for right-hand use



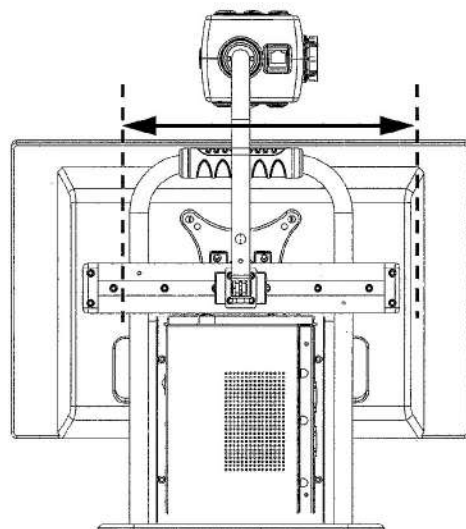
Camera position for left-hand use

Around the horizontal axis, the camera head can be tilted 270 degrees. Tilt the camera head and rotate it to view objects, such as a white board, at a more distant proximity. The following figure shows the possible tilt movements.



**Note:** Do not force the camera head beyond its limit as the rotation axis may be damaged permanently.

The camera arm can slide along a track at the rear of the base stand. The following figure shows the slide track.

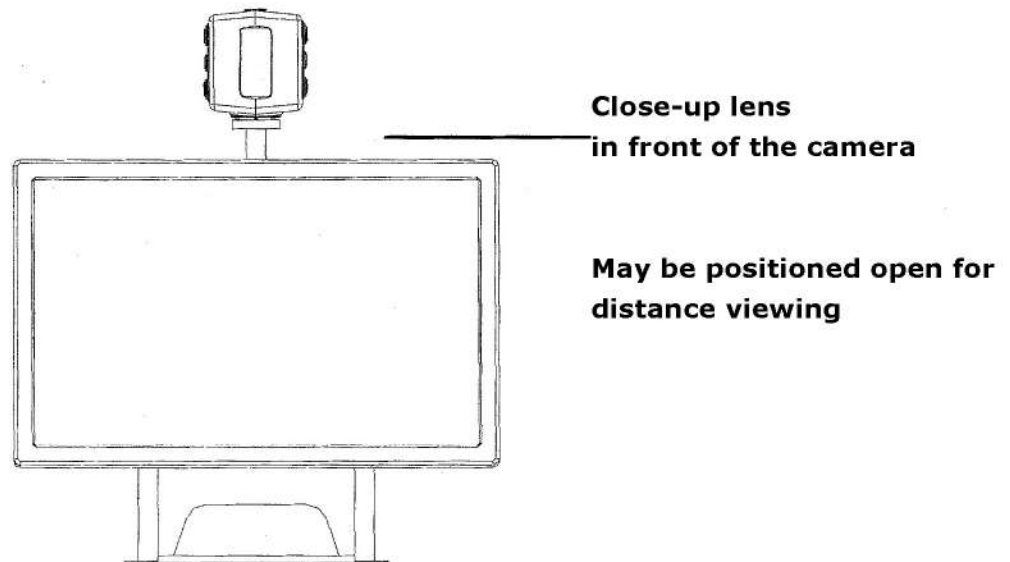


## Camera positions

The Dazzle-LCD automatically re-adjusts to its original settings when the camera is turned from near to distance viewing and back. For example, when you tilt the camera quickly from a whiteboard to your desktop, your preferred viewing mode, color mode, and magnification settings will automatically be applied. Three sets of settings can be stored: close-up viewing, self-viewing, and distance viewing.

### Close-up viewing

To view objects on the table surface or to write, focus the camera head towards the desktop and position the close-up lens in front of the camera. The recommended distance for close-up viewing is between 12-16 inches (30-40 cm).



### Self-viewing

To view yourself by using the Dazzle-LCD as a mirror, focus the camera towards you and position the close-up lens away from the camera. The recommended distance for self-viewing is 16-20 inches (40-50 cm).

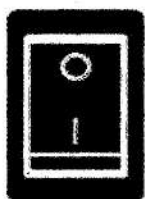
### Distance viewing

To view objects at a more distant proximity between 3-16 feet (1-5 meters), focus the camera head towards the object and position the close-up lens away from the camera. The distance viewing can be used to read text, for instance, from a whiteboard.



## 5. Getting started

Before starting, the Dazzle-LCD camera head needs to be installed. For easy access to the control buttons and steady table movement, place your hands on the wrist support at the table front when using the Dazzle-LCD.



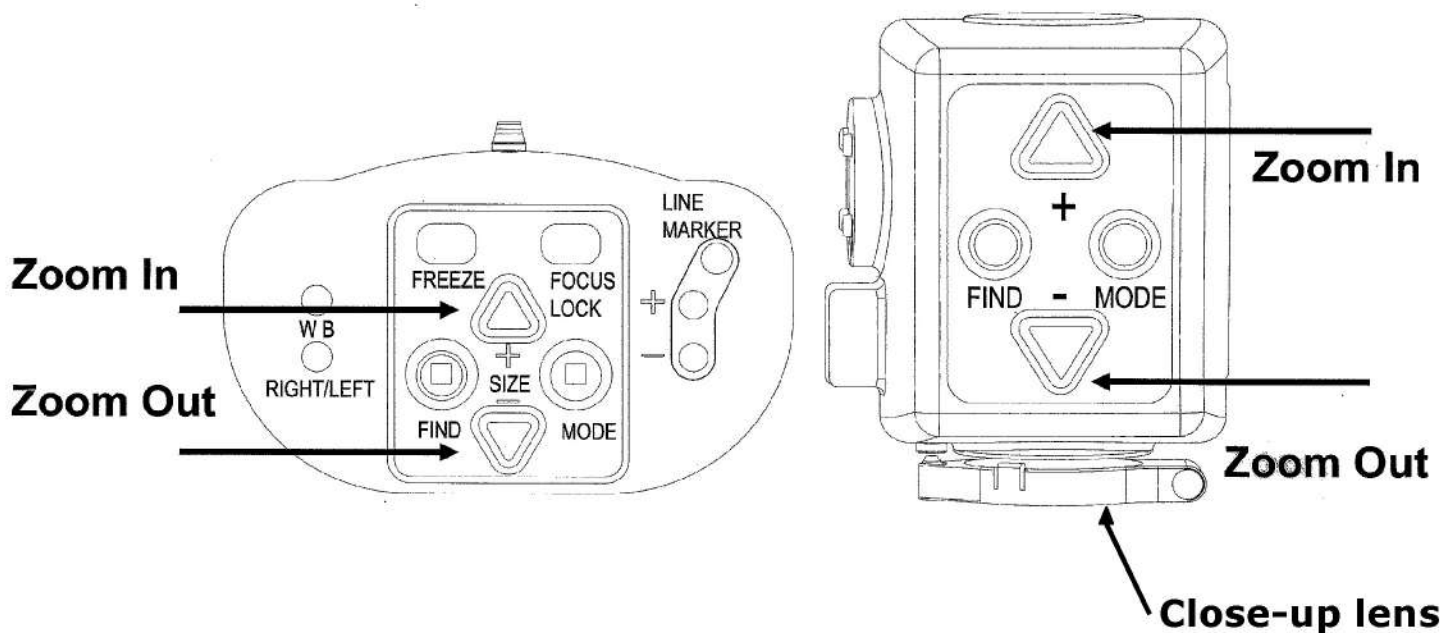
### Switching On / Off

Press the On / Off switch located at the right side of the base unit to power the Dazzle-LCD.

### Setting the magnification

Press the "+" and "-" button at the center of the control pad or on the camera head to adjust the magnification. Press the "+" button to increase and similarly, the "-" button to decrease the magnification. Press and hold each button for more than 1 second to adjust the magnification continuously.

The Dazzle-LCD magnifies text and objects. Items placed on the desktop should be at least 16 inches (40 cm) away from the camera and may be magnified from 2X to 79X more than the original size.



## Viewing modes

Pressing this button on the control pad or on the camera head will cycle you through 8 different viewing modes:

### — Full Color Photo Mode

This mode will display text, pictures and objects in full color.

### — Gray Mode

This mode enhances the foreground / background contrast.

### — Positive Reading Mode (High contrast black on white)

This mode enhances the foreground / background contrast. Pictures and text will be displayed as black text on a white background.

### — Negative Reading Mode (High contrast white on black)

This mode reverses the positive image. Pictures and text will be displayed as white text on a black background.

### — High contrast white on blue

This mode displays white text on a blue background.

### — High contrast yellow on black

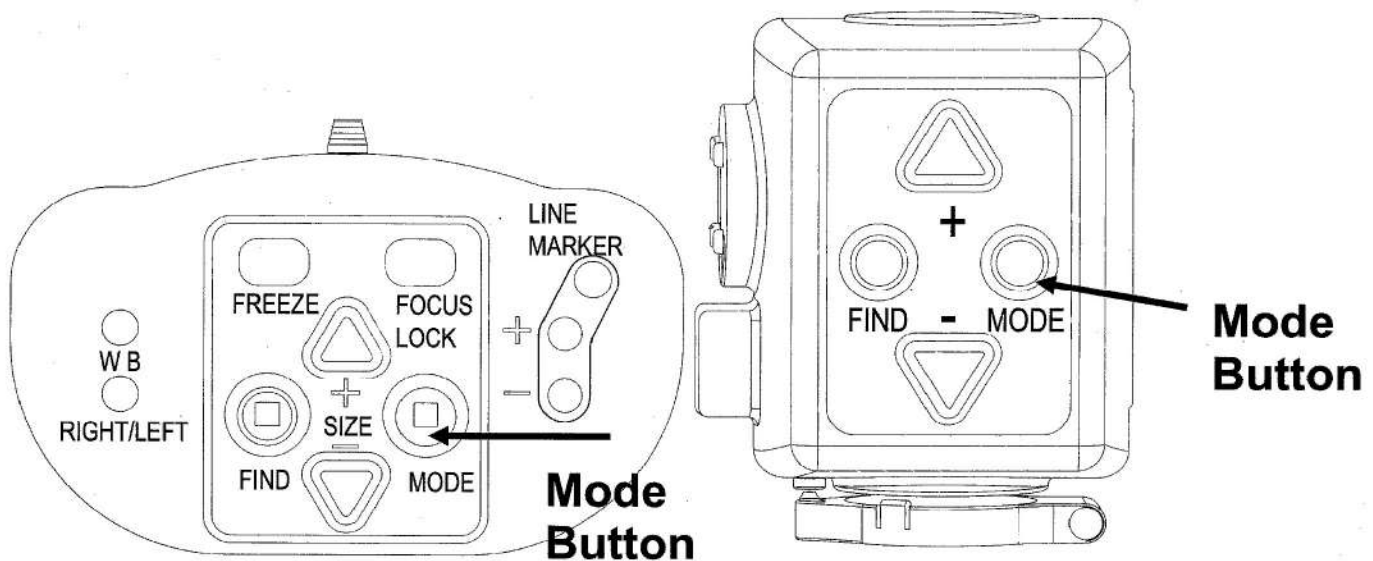
This mode displays yellow text on a black background.

### —High contrast yellow on blue

This mode displays yellow text on a blue background.

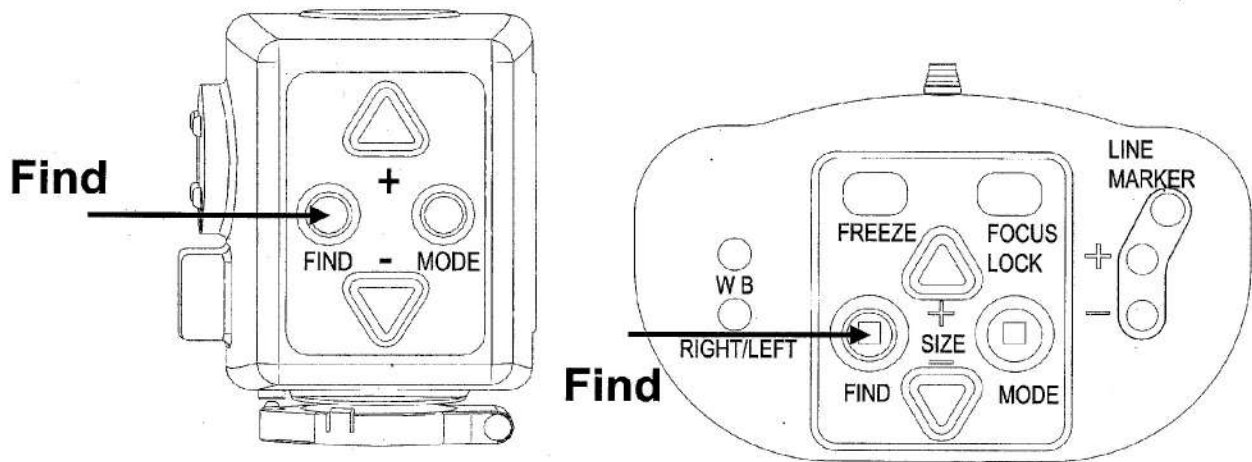
### —High contrast green on black

This mode displays green text on a black background.



## Find function

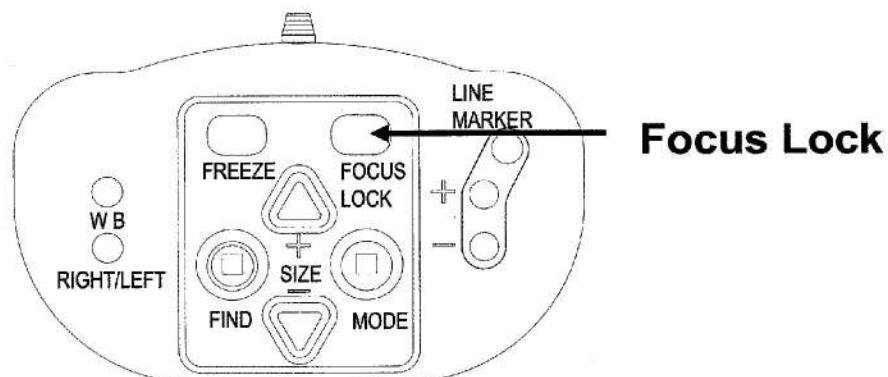
The find function is a useful tool that helps you to scroll through text quickly by providing an overview of the document that you are reading. Press and hold this button on the control pad or on the camera head to activate the find function. When the find function is activated, the Dazzle-LCD will automatically zoom out to the minimum magnification and will display a green sign indicating the center of the screen. Move the camera to position the text you wish to read at the center of the screen. After positioning the text, release the button. The Dazzle-LCD will automatically zoom in on the selected text and return to your previous magnification setting.



## Focus lock

The Dazzle-LCD features an automatic focusing system to produce a sharp onscreen image any time. When switching the Dazzle-LCD on, the system will start up in the auto-focus mode.

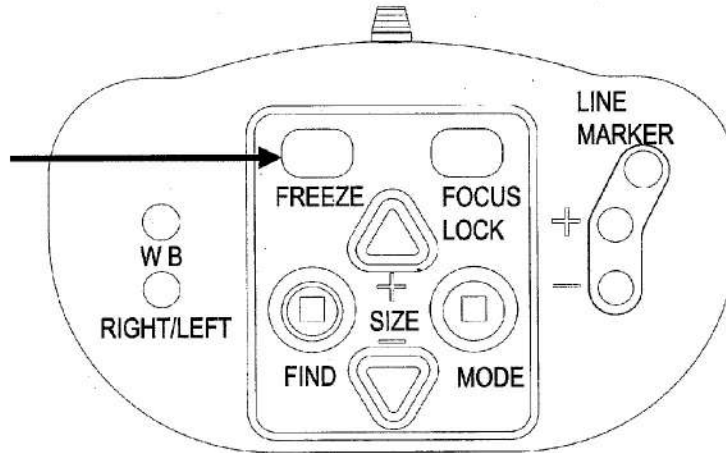
Press this button on the control pad to switch to Focus Lock which stops the Dazzle-LCD from continuously focusing. The text "Focus lock" will be displayed on the upper left corner of the screen. This is useful for tasks such as writing, painting, or enjoying craftwork. Pressing this button will re-activate the auto-focus and the text "Focus lock" will disappear.



## Using the Snapshot button

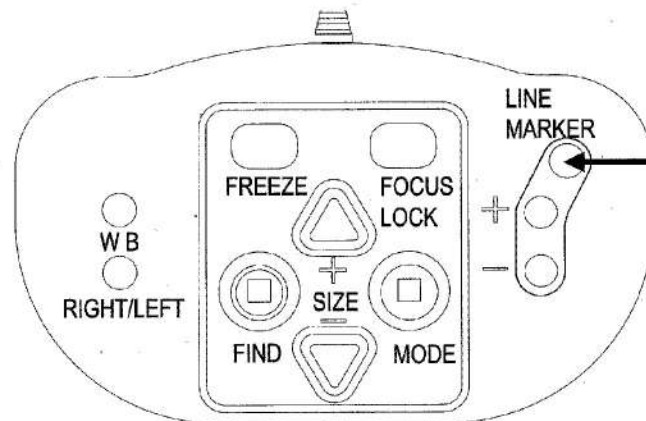
The snapshot button allows you to take a temporary picture of a text or an image. Press the snapshot button on the control pad to freeze the image. Pressing any other button, the image will be unfrozen.

**Freeze**



## Activating line markers / window shades

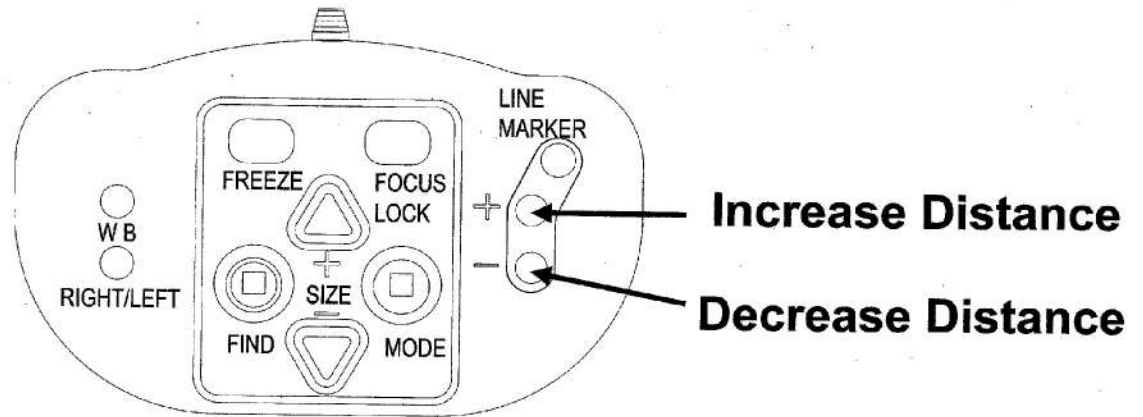
Pressing this button on the control pad cycles you through horizontal line markers, horizontal windows shades and full screen camera image. Line markers are used as guides making the text to be read easier. The window shades function can be used to block part of the image when the screen brightness causes inconvenience.



**Activating line markers / window shades**

## Positioning of lines / windows

When horizontal line markers or the window shades are activated, pressing these buttons will change the distance between the line markers / window shades on the screen. To increase the distance, press the "+" button and to decrease the distance, press the "-" button.



## White Balance

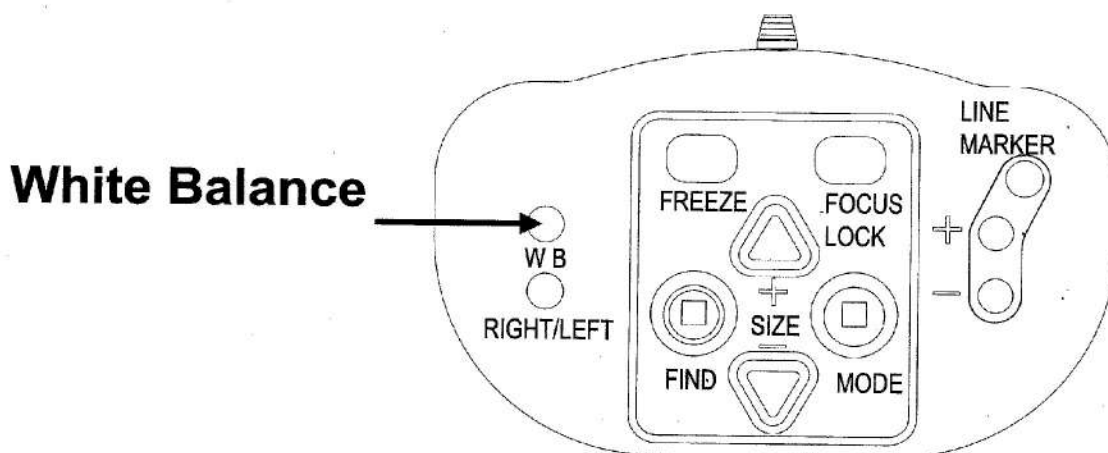
The White Balance function refers to the adjustment that balances the colors of a picture in Photo mode. Pressing this button on the control pad will cycle you through 2 White Balance modes:

### — Warm Color Mode

This mode will enhance the warm colors of a picture such as red in a picture.

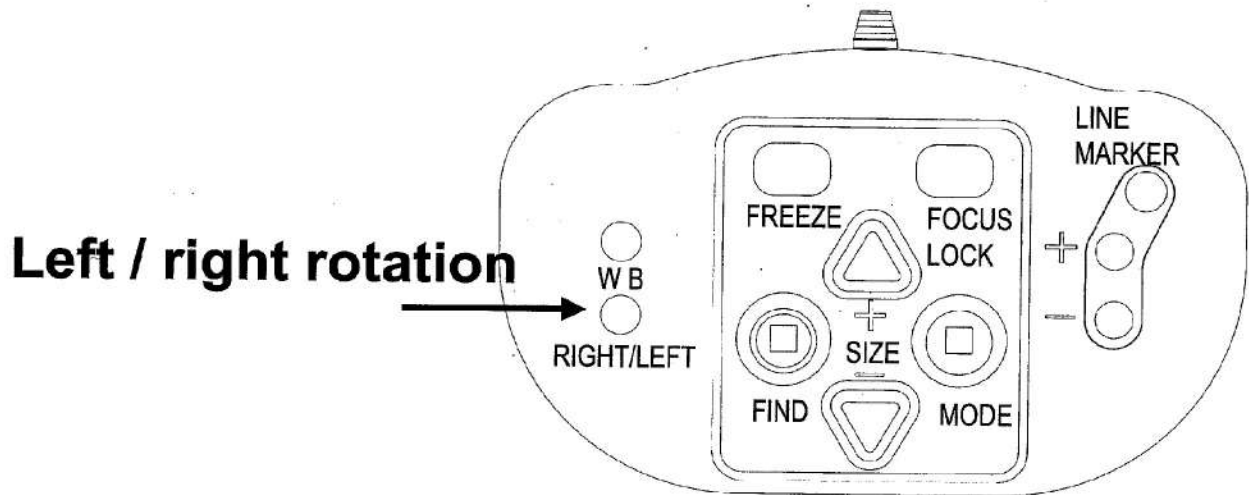
### — Cool Color Mode

This mode will enhance the cool colors such as blue in a picture.



## Left / right rotation

When positioning the camera according to the hand orientation from the left to the right side or the other way around, the camera image will be displayed upside down. Simply press this button to adjust the camera image to the right position.



## **6. Warranty conditions**

Magnifying America warrants the Dazzle-LCD effectively from the date of delivery, to be free of any defects in material and workmanship for two years.

Warranty is not transferable and does not apply to groups, multi users or agencies. The Dazzle-LCD has been designed for the individual purchaser to be used in home and office environments. Magnifying America reserves the right to repair or replace any malfunctioning part(s).

In no event shall Magnifying America be liable for indirect or consequential damages. For additional warranty claims or service during or after the warranty period, please refer to Magnifying America.

Magnifying America takes no responsibility for use of this device other than described in this manual.

## **7. Specifications**

Dimensions	21.65 x 17.32 x 7.87 inches
Weight	Approx. 25 lbs



## **8. Contact / product support**

If you have questions about the operation, installation, or settings of your system, please contact Patriot Vision Industries Inc..



***For question or support, please contact us at:***

***800-364-1608 / 352-203-4164***

***Fax: 352-203-4617***

***Website: [www.patriotvision.com](http://www.patriotvision.com)***

***Email: [info@patriotvision.com](mailto:info@patriotvision.com)***

***Patriot Vision Industries, LLC, is an affiliate of Low VisionAids, Inc. Patriot, Magnifying America, the words and their symbols/logo/mark are licensed trademarks owned by Low VisionAids, Inc.***

***Copyright 2024. All Right Reserved. Designed & Assembled in USA.  
Please be advised that this user guide may contain errors, and is therefore subject to being changed or updated without prior notice.***