



Multimedia Transmitter



1-800-364-1608

www.patriotvisionindustries.com

Part No. 35424
Rev. May 2024

Choosing a setup

Choose one of the following options to wirelessly transmit a video signal to the Patriot Viewpoint.

Option 1

Cable Box / Satellite Box / Stream Stick

(only models with HDMI output)



Option 2

DVD Player / Blu-Ray Player

(only models with HDMI output)



Option 3

iPad / iPhone (with an Apple Digital A/V Adapter)

Android Device (with a USB-C to HDMI Adapter)

(Check your device model to see if HDMI output is supported)



Option 4

Computer

(only models with HDMI output)



Warning

The Multimedia Transmitter has vents on the top of the device to allow for air flow and to help keep the device running at a stable operating temperature.

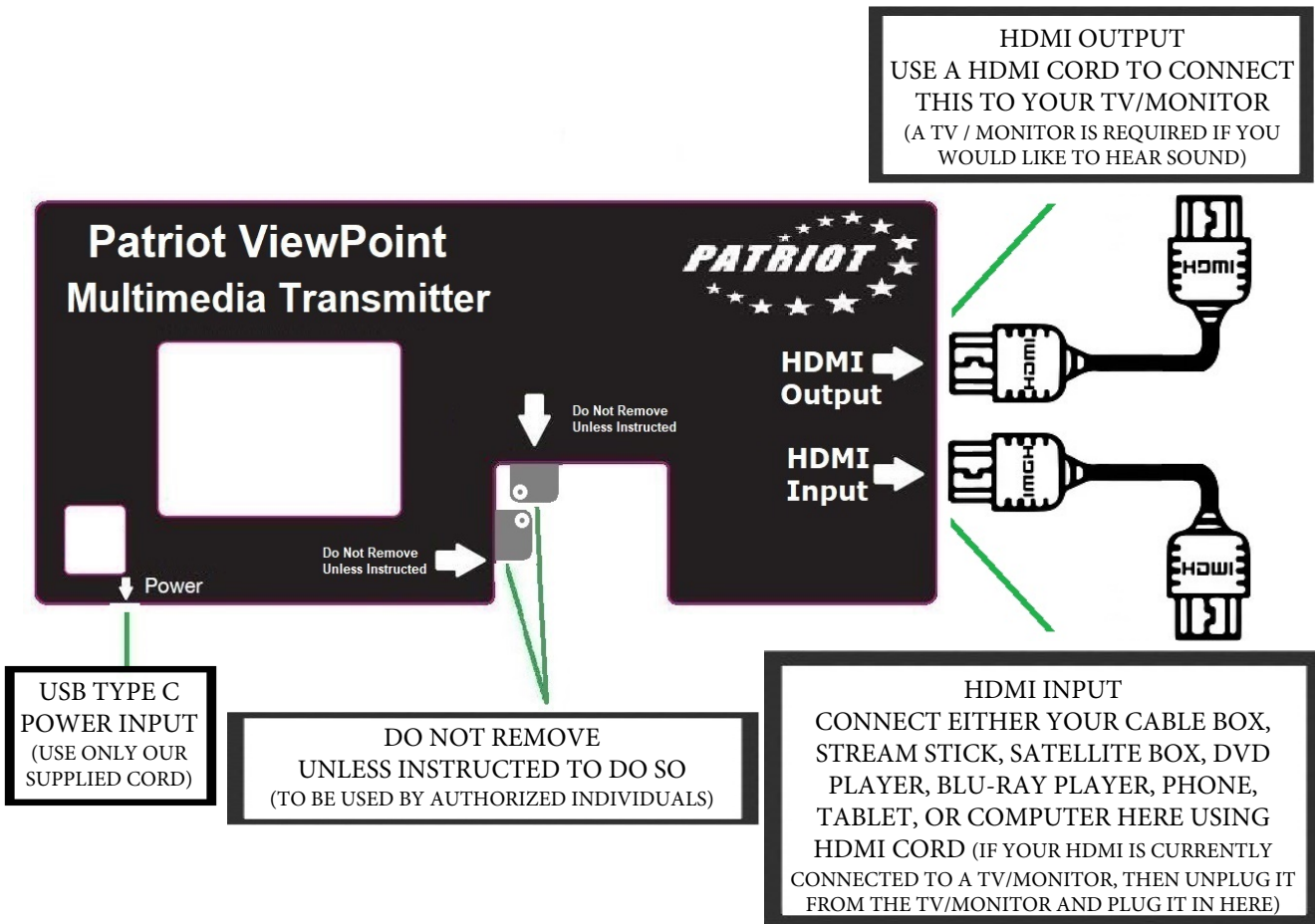
- Do not cover the vents on the top of the device or restrict them while the device is on or in use.



Choose a cool and dry location where you would like to place your Multimedia Transmitter. Choose a location that is close to the HDMI device that you would like to transmit to the Patriot Viewpoint. Elevate the Multimedia Transmitter if possible so that it may transmit to the Patriot Viewpoint with ease. Avoid placing this device on the floor or in a small closet/cabinet if possible.

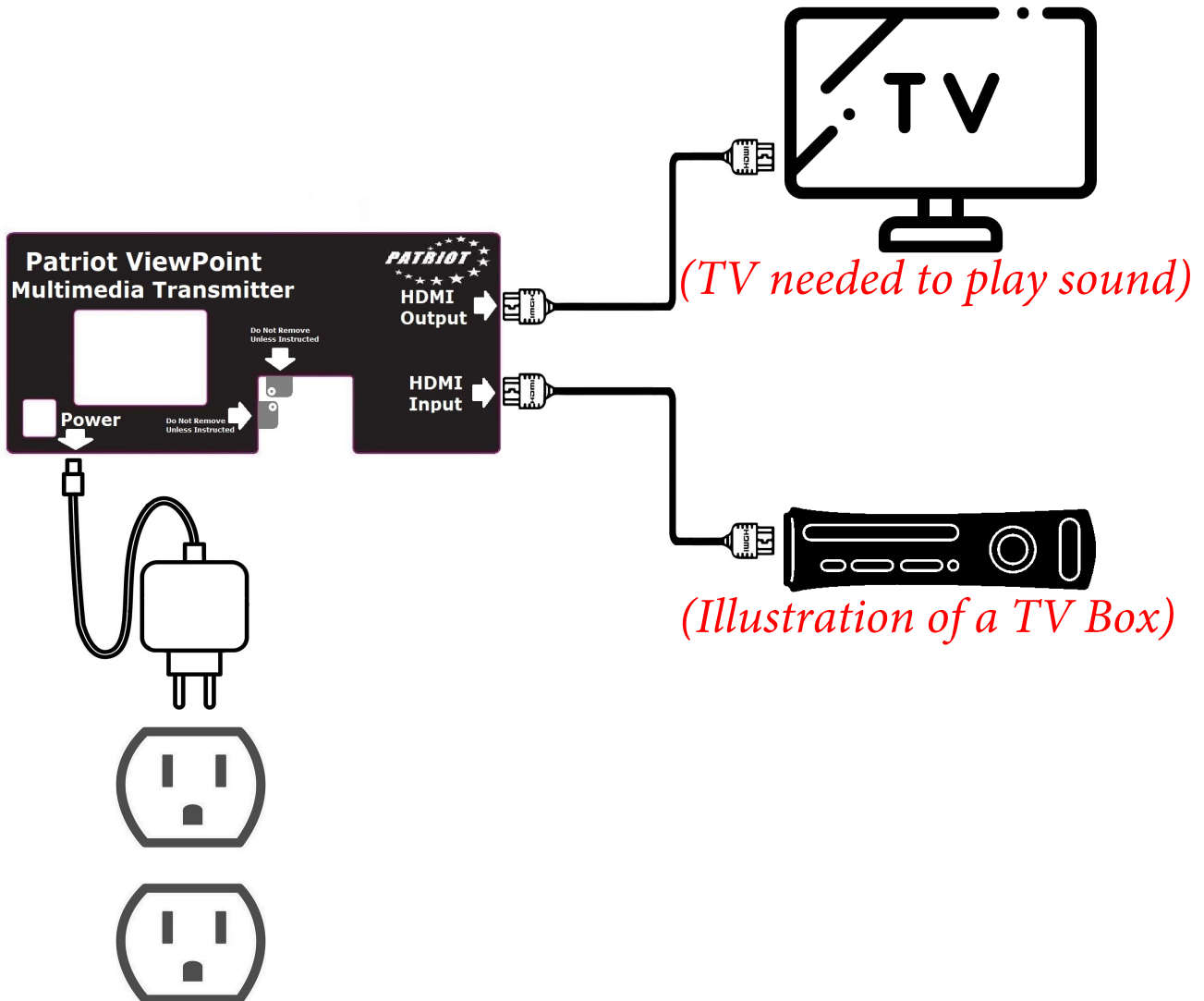
Setup

Included with your Multimedia Transmitter is a power cord and a HDMI cord. You will need to make use of these cords to setup the device. Below is a diagram on how to setup the Multimedia Transmitter.



Setup - continued

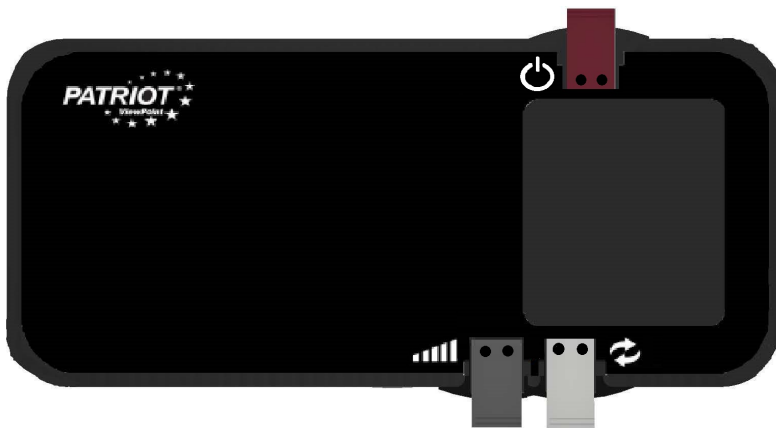
Connecting the cords



Using your Patriot Viewpoint

You are now ready to start using your Patriot Viewpoint to view your HDMI signal. The next couple of pages are instructions on how to use the Patriot Viewpoint with the Multimedia Transmitter. Refer to your Patriot Viewpoint owner's manual for the majority of instructions on how to use the Patriot Viewpoint without the Multimedia Transmitter.

Turn on your Patriot Viewpoint. Once it has started up, then simply press the white button on the front of the device to switch it over to the HDMI signal to view the signal from your new Multimedia Transmitter.



***^ Button to switch to HDMI signal
(Same button will switch back)***

Using your Patriot Viewpoint - continued

You should now see the image from your Multimedia Transmitter on the screen of your Patriot Viewpoint.

If you turn your head, then you will notice that the image stays in a fixed position. If you would like to re-center the image, then simply press the Colors button on the Patriot Viewpoint, and the image will re-center.

You can adjust the magnification by swiping forward or backwards on the touch pad on the right side of the Patriot Viewpoint. You can also adjust the magnification by voice by saying "Patriot, Make bigger" or "Patriot, Make smaller".

You can adjust the brightness by swiping up or down on the touch pad on the right side of the Patriot Viewpoint. There are no voice commands for brightness at this time.

Problem Solving

If the Patriot Viewpoint is neglecting to show an image following the press of the white button on the front, then the following resources may help to troubleshoot the issue.

Make sure the Multimedia Transmitter and the Patriot Viewpoint are not more than 50 feet away from each other and make sure that nothing harmful to reception is obstructing the wireless path from the Multimedia Transmitter and the Patriot Viewpoint.

Check if any LED light is visible in the vent holes of the Multimedia Transmitter. If there is no visible LED light in one of the vent holes of the Multimedia Transmitter, then the Multimedia Transmitter is either not getting power or may have an issue and will need to be sent in for repair.

Check that the power cable is firmly connected to the Multimedia Transmitter and to the wall outlet. If the connection is secure and there is still no power, you may have a faulty power cord or an internal fault. Also check the following:

- The cord or cable are connected securely.
- The devices are powered-up
- The quality of cable is satisfactory

If problems persist, then refer to the contact us page for more help.

Technical Specifications

Physical Dimensions (*Transmitter only without cords*)

Height: 39.5 mm x Width: 86 mm x Depth: 80.5 mm

Weight: 30 oz

Environmental

Operating Temperature 0 ° to 40 °C (32 ° to 104 °F)

Storage Temperature -18° to +70 °C (0 ° to 158 °F)

Operating Humidity 10–95% relative humidity, non-condensing

Power Supply

AC Line Frequency 50/60 Hz

Input Voltage 5.1 V (volt) DC

Current Rating 3.0 A (amp) (minimum)

Information to the user

If this equipment does cause interference, which can be determined by turning the equipment off and on, the user is encouraged to try to correct the interference by one or more of the following measures:

- Reorient or relocate the Multimedia Transmitter.
- Relocate the equipment experiencing interference away from the Multimedia Transmitter.
- Plug the Multimedia Transmitter into a different power outlet so that the Multimedia Transmitter and equipment experiencing interference are on different branch circuits.

If necessary, the user should consult us for additional suggestions. The user may find the following booklet prepared by the Federal Communications Commission helpful:

How to Identify and Resolve Interference Problems:

This booklet is available from the U.S. Government Printing Office, Washington, DC 20402, Stock No. 004-000-00345-4.

This equipment must be used only with it's included power cable.

Streaming Device

The Patriot Multimedia Box is designed to enhance your entertainment experience by playing media from external sources. While some Smart TVs offer built-in streaming apps, their current implementation doesn't allow them to directly output this content through HDMI to the Patriot Multimedia Box.

For a wider range of streaming options, we recommend using a dedicated streaming device like a Roku or Fire Stick. These devices connect directly to the HDMI input port on the side of your Patriot Multimedia Box, allowing you to access a vast library of streaming services and channels.

Here's a quick guide to get you started:

Connect your Roku or Fire Stick to the HDMI input port on the side of your Patriot Multimedia Box.

Follow the on-screen instructions to set up your streaming device and connect it to your Wi-Fi network.

Launch your desired streaming service on the Roku or Fire Stick and enjoy your favorite content!

By using a dedicated streaming device, you'll unlock the full potential of the Patriot Multimedia Box and experience a wider variety of entertainment options.

Contact us

To send a device in to Patriot Vision Industries for repair, you must first obtain a return authorization number (RMA #). Products sent to Patriot Vision Industries without return authorization numbers clearly marked on the outside of the package risk being lost at the sender's expense. You can obtain an RMA number by contacting Patriot Vision Industries.

Patriot Vision Industries offers telephone and e-mail access to technical support and repair services. To access these services, use the telephone number or e-mail address below.

For question or support, please contact us at:

800-364-1608 / 352-203-4164

Fax: 352-203-4617

Website: www.patriotvision.com

Email: info@patriotvision.com

Patriot Vision Industries, LLC, is an affiliate of Low VisionAids, Inc. Patriot, Magnifying America, the words and their symbols/logo/mark are licensed trademarks owned by Low VisionAids, Inc.

Copyright 2024. All Right Reserved. Designed & Assembled in USA.

Please be advised that this user guide may contain errors, and is therefore subject to being changed or updated without prior notice.

