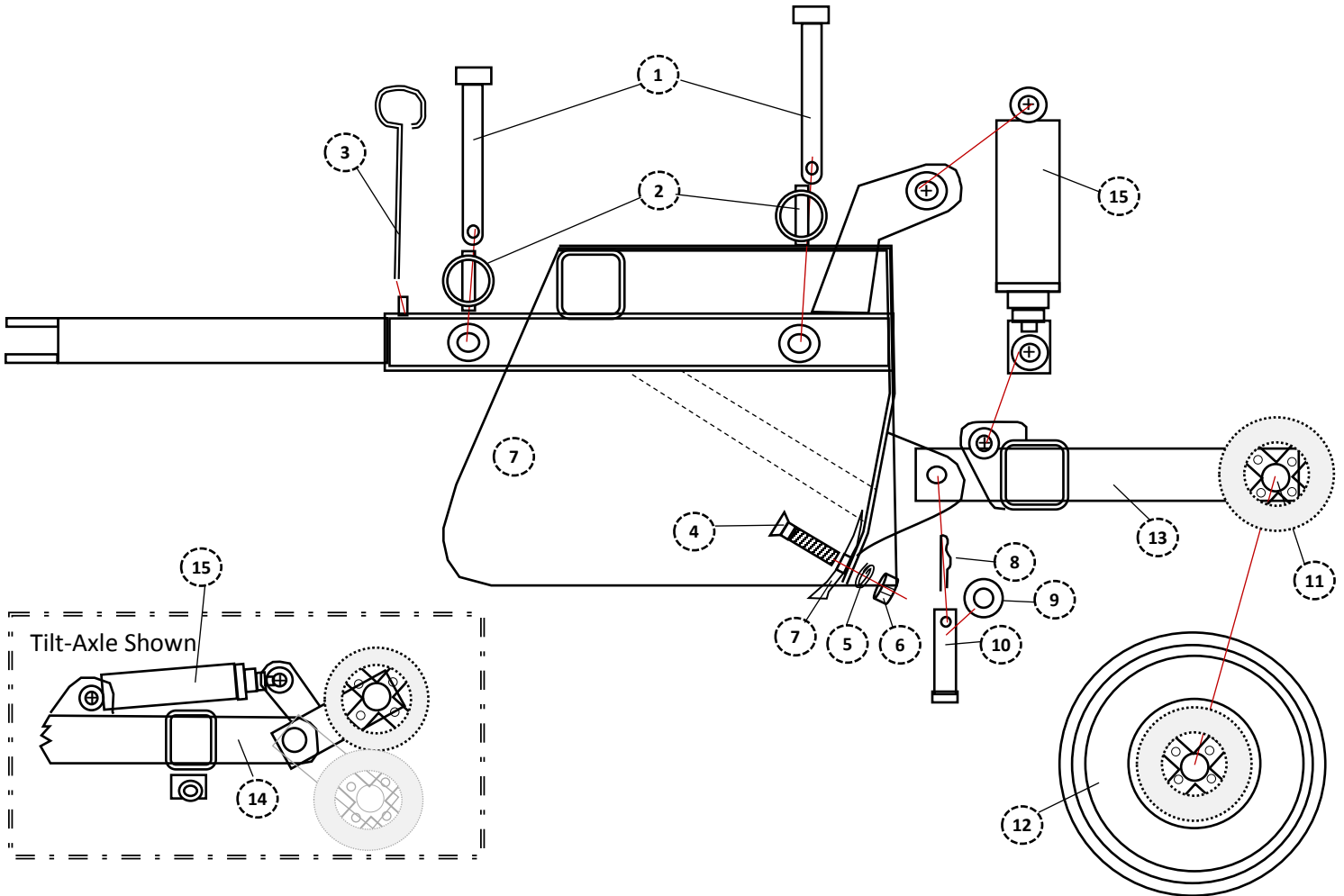


DRAG SCRAPER

COMPACT DRAG SCRAPER

EXPANDED PARTS INDEX



		4	5	6	7	
1	AP100500C2TL	CAT II TOP LINK	2	2	2	2
2	P716175LY	LYNCH PIN	2	2	2	2
3	R01DS763	PIG TAIL	1	1	1	1
4	B058200P	5/8 X 2" PLOW BOLTS	4	5	6	7
5	W058L	LOCK WASHER	4	5	6	7
6	N058H	HEX NUT	4	5	6	7
7	CE	CUTTING EDGE	1	1	1	1
8	P11	HAIR PINS	2	2	2	2

		4	5	6	7	
9	W100SAEF	PIVOT EAR WASHER	4	4	4	4
10	P100258CLP	1 X 2 15/16" PLATED CLEVIS PIN	2	2	2	2
11	HUBT8	SMALL 4 LUG HUB	2	2	2	2
12	WH5708	SMALL TIRE SET	2	2	2	2
13	AX007	NO TILT AXLE	1	1	1	1
14	TKA-01	TILT AXLE	1	1	1	1
15	C26	2 X 6" CYLINDER (TILT OPTION)				

PLEASE NOTE: The illustrations above are for reference only. SUPERIOR IMPLEMENTS reserves the right to change or correct part numbers, descriptions or dimensions at any time. If you have specific questions about parts not specified in the illustration above, please contact your SUPERIOR IMPLEMENTS authorized dealer.