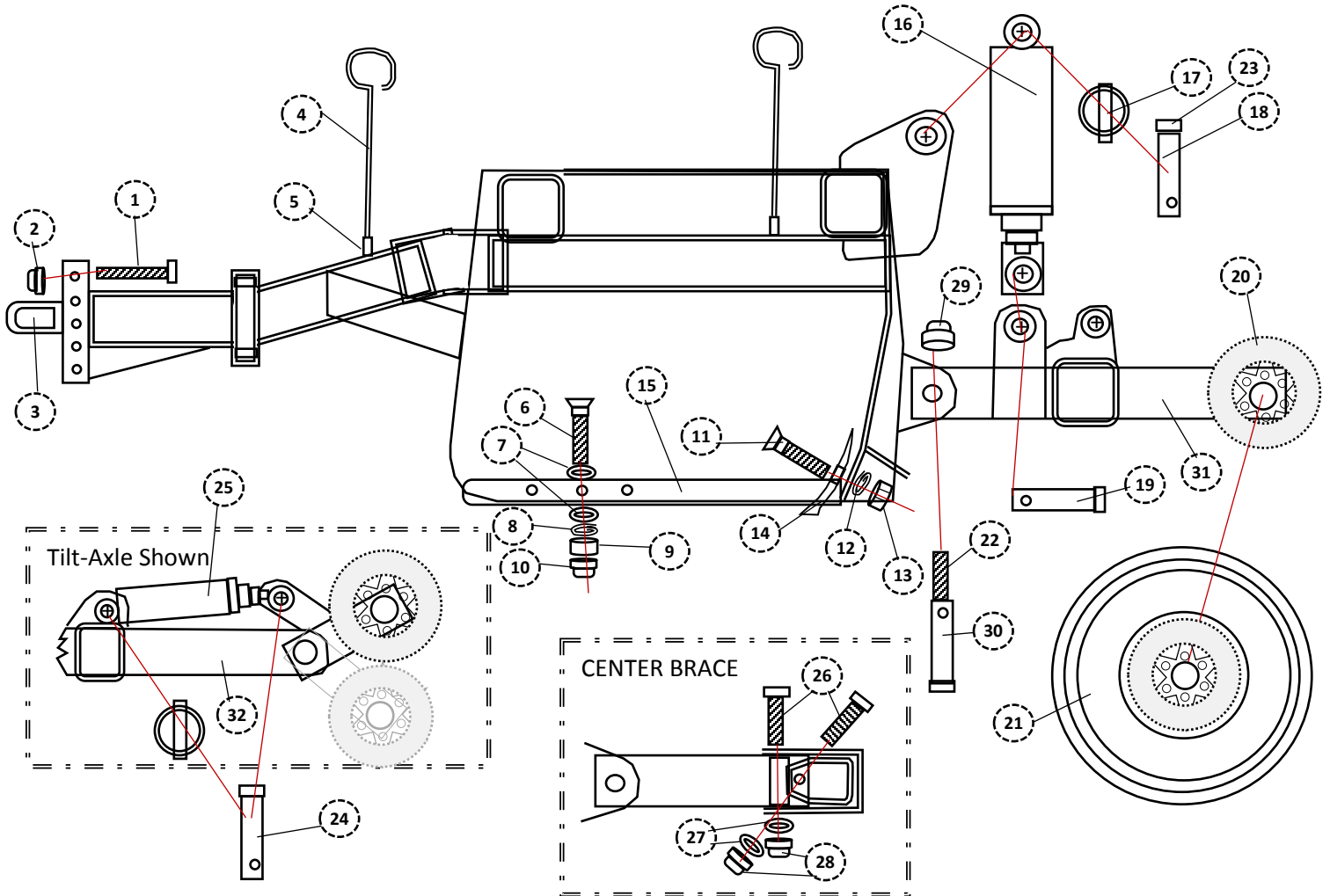


# DRAG SCRAPER

## INDUSTRIAL & HEAVY DUTY

### EXPANDED PARTS INDEX



		10	12	14	16	18
1	B100700-8	1 X 7" HEX BOLT HD CAP SCREW	2	2	2	2
2	N100L	1" LOCK NUT	2	2	2	2
3	PP1421V3HDS	PINTLE HITCH FOR HDS	1	1	1	1
4	R01DS763	HYD HOSE HOLDER	2	2	2	2
5	N038CPL	3/8" COUPLER NUT	2	2	2	2
6	B075300	3/4 X 3" BOLT	18	18	18	18
7	W075F	3/4" FLAT WASHER	16	16	16	16
8	W075L	3/4" LOCK WASHER	10	10	10	16
9	N075H	3/4" HEX NUT	10	10	10	10
10	N075L	3/4" NYLOCKS	8	8	8	8
11	B058250	BOLT 5/8 X 2 1/2" PLOW	10	12	14	16
12	W058L	5/8" LOCK WASHER	10	12	14	16
13	N058H	5/8" HEX NUT	10	12	14	16
14	8CE	HEAVY DUTY CUTTING EDGE	1	1	1	1
15	CE1(180/H)DS01	WEAR PLATES	2	2	2	2
16	C416-27	HYD CYLINDER (FOR LIFT)	2	2	2	2
17	P716175LY	LYNCH PIN (S/T)	4/6	4/6	4/6	4/6
18	R03IDS01	IDS/HDS TOP CYL PIN	2	2	2	2
19	R03IDS02	1 1/4 X 6 1/2" BOTTOM CYL PIN	2	2	2	2

		10	12	14	16	18
20	WH1666OE	HDS RIMS	4	4	4	4
21	11L16	HDS TIRES	4	4	4	4
22	B038250S	3/8 X 2 1/2" SHANK BOLT (TILT)	3	3	3	3
23	P0122	CAT II 3 PT PIN TOP	4	4	4	4
24	R05IDS01	TILT CYLINDER PIN	2	2	2	2
25	C38W	TILT HYD CYLINDER	1	1	1	1
26	B050600RT	1/2 X 6" RETRACTABLE BOLT	--	--	2	2
27	W050F	1/2" FLAT WASHER	--	--	2	2
28	N050L	1/2" LOCK NUT	--	--	2	2
29	N038L	3/8" LOCK NUT	3	3	3	3
30	P024145	LARGE RB MAIN PIN TOP (S/T)	4/6	4/6	4/6	4/6
31	AX010	IDS/HDS 10/12 AXLE ASSEMBLY	1	1	--	--
31	AX011	IDS/HDS 14 AXLE ASSEMBLY	--	--	1	--
31	AX012	IDS/HDS 16 AXLE ASSEMBLY	--	--	--	1
31	AX013	HDS18 AXLE ASSEMBLY	--	--	--	1
32	HDTKA-10/12	IDS/HDS 10-12 TILT AXLE ASSEMBLY	1	1	--	--
32	HDTKA-14	IDS/HDS 14 TILT AXLE ASSEMBLY	--	--	1	--
32	HDTKA-16	IDS/HDS 16 TILT AXLE ASSEMBLY	--	--	--	1
32	HDTKA-18	18" HEAVY DUTY TILT AXLE ASSEMBLY	--	--	--	1

**PLEASE NOTE:** The illustrations above are for reference only. SUPERIOR IMPLEMENTS reserves the right to change or correct part numbers, descriptions or dimensions at any time. If you have specific questions about parts not specified in the illustration above, please contact your SUPERIOR IMPLEMENTS authorized dealer.