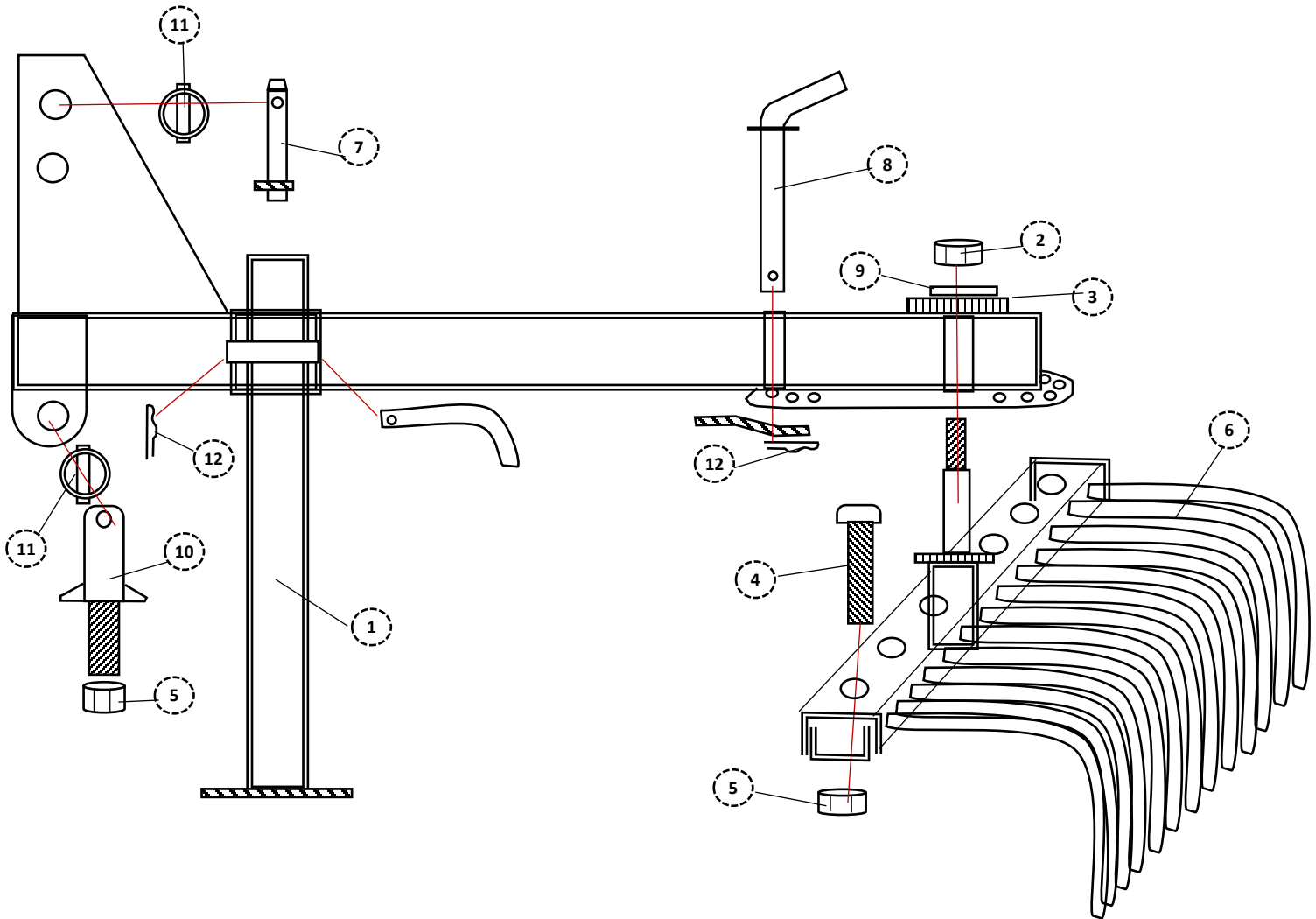


MISC. IMPLEMENTS

LANDSCAPE RAKE

EXPANDED PARTS INDEX



			10-48	10-60	20-60	20-72	20-84	20-96
1	T01201A	JACK STAND ASSEMBLY	1	1	1	1	1	1
2	N100L	1" LOCKNUT	1	1	1	--	--	--
2	N125L	1 1/4" LOCK NUT	--	--	--	1	1	1
3	P02043	SMALL RB PED PIN WASHER	2	2	2	2	2	2
4	B058400CB	BOLT 5/8" X 4" CARRIAGE	4	6	6	6	8	8
5	N058L	5/8" LOCK NUT	4	6	6	6	8	8
6	33913	ITALIAN 2 HOLE RAKE TINE	24	30	30	36	42	48
7	P075500CITL	CAT I TOP LINK	1	1	1	1	1	1
8	R04134A	SM/MED RB OS/SWL PIN ASSEMBLY	1	1	1	1	1	1
9	W125F	1 1/4" FLAT WASHER	2	2	2	2	2	2
10	P078175C1IMPD	CAT I IMPLEMENT PIN	2	2	2	2	2	2
11	P716175LY	LYNCH PIN 7/16 X 1 1/4"	3	3	3	3	3	3
12	P11	HAIR PINS	2	2	2	2	2	2

PLEASE NOTE: The illustrations above are for reference only. SUPERIOR IMPLEMENTS reserves the right to change or correct part numbers, descriptions or dimensions at any time. If you have specific questions about parts not specified in the illustration above, please contact your SUPERIOR IMPLEMENTS authorized dealer.