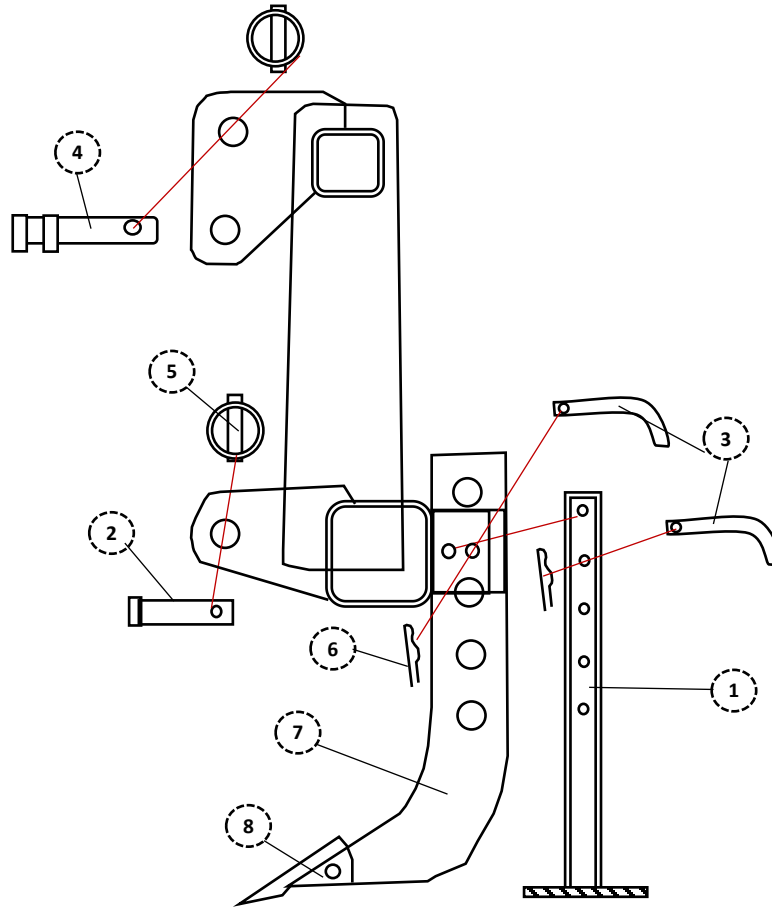


MISC. IMPLEMENTS

RIPPER BAR

EXPANDED PARTS INDEX



		48	54	60	66	72	96
1	T01201A	JACK STAND ASSEMBLY	1	1	1	1	1
2	P078375C1D	7/8 X 3 3/4" CAT I HEAVYT DUTY	2	2	2	2	2
3	P050300BL	BENT L PIN	4	4	5	5	6
4	P075500C1TL	CAT I TOP LINK	1	1	1	1	1
5	P716175LY	LYNCH PIN					
6	P11	HAIR PINS					
7	H434	BOX SCRAPER SHANK WITH 4 HOLES	4	4	5	5	6
8	H434T	SHANK TIP					

PLEASE NOTE: The illustrations above are for reference only. SUPERIOR IMPLEMENTS reserves the right to change or correct part numbers, descriptions or dimensions at any time. If you have specific questions about parts not specified in the illustration above, please contact your SUPERIOR IMPLEMENTS authorized dealer.