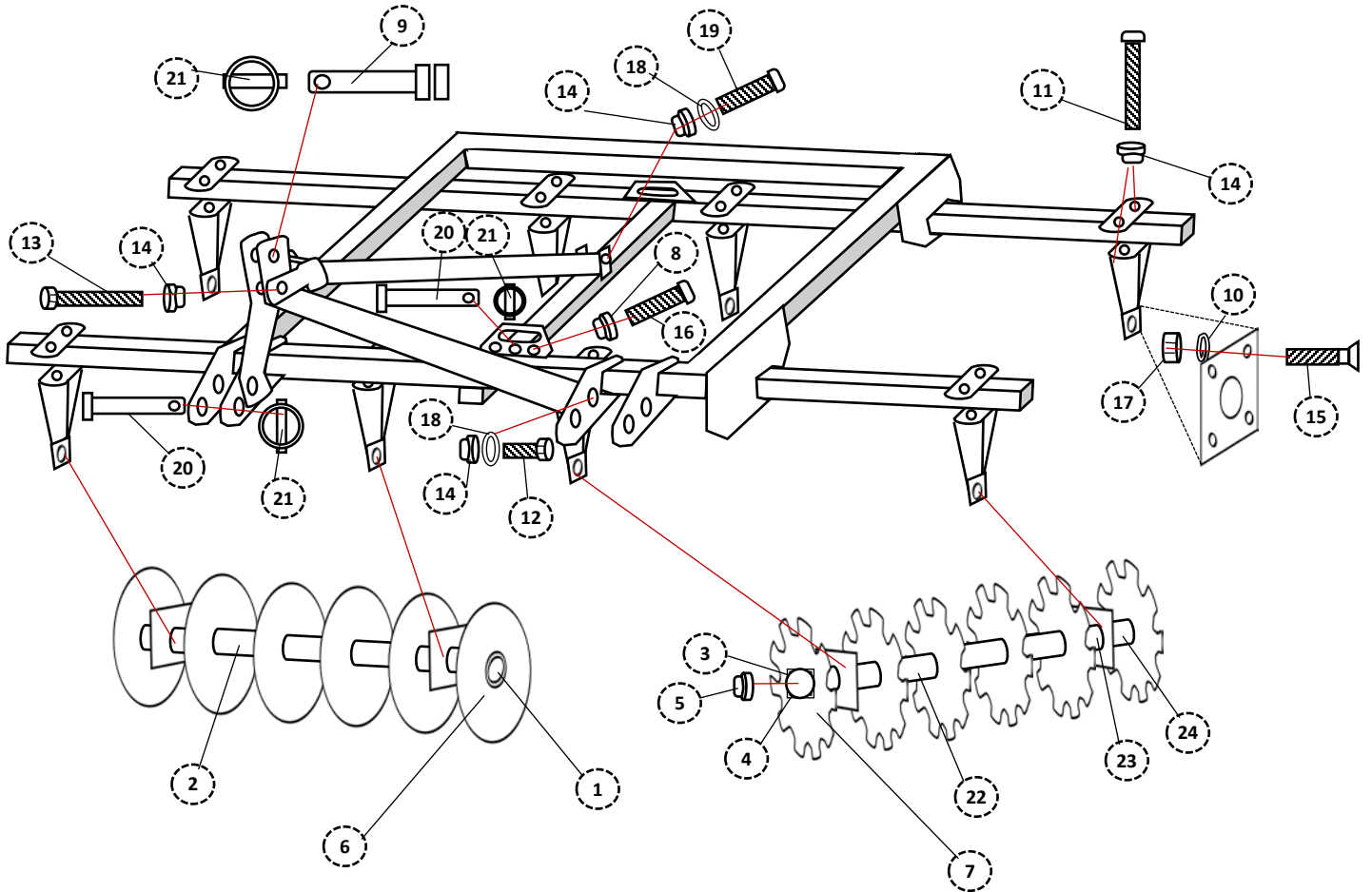


# MISC. IMPLEMENTS

## TANDEM DISC

### EXPANDED PARTS INDEX



		60C	60N	72C	72N	84C	84N
1	40255	LARGE WASHER/END CAP CAST	4	4	4	4	4
2	49626	1 X 26" LONG GANG AXLE WITH NUT	4	4	--	--	--
2	28938	1 X 34" LONG GANG AXLE WITH NUT	--	--	4	4	--
2	49630	1 X 41" LONG GANG AXLE WITH NUT	--	--	--	4	4
3	36069	SMALL WASHER/ END CAP	4	4	4	4	4
4	DSW01	2 X 2 X 1/2" WASHER	8	8	8	8	8
5	N100L	1" LOCK NUT	4	4	4	4	4
6	38390	18" 3MM SMOTH DISC 1" SQ	8	--	10	--	12
7	38119	18" 3MM NOTCHED DISC	8	16	10	20	12
8	N058L	5/8" LOCK NUT	4	4	4	4	4
9	P075500C1TL	CAT I TOP LINK	1	1	1	1	1
10	W050L	1/2" LOCK WASHER	32	32	32	32	32
11	B075500	3/4 X 5 BOLT	16	16	16	16	16
12	B0755250HX	3/4 X 2 1/2" HEX BOLT	2	2	2	2	2
13	B075600HX-5	3/4 X 6" COURSE THD HEX BOLT	1	1	1	1	1
14	N075L	3/4" NYLOCKS NUT	20	20	20	20	20
15	B050150C	1/2 X 1 1/2" CARRIAGE BOLT	32	32	32	32	32
16	B058500	5/8 X 5 BOLT	4	4	4	4	4
17	N050H	1/2" HEX NUT	32	32	32	32	32
18	W075SAEF	BOTTOM CYLINDER PIN WASHER	3	3	3	3	3
19	B075400	3/4 X 4" BOLT	1	1	1	1	1
20	P078375CID	CAT I DRAW PIN					
21	P716175LY	LYNCH PIN					
22	31717	7" SPACER	4	4	8	8	12
23	36779	3 5/8" SPACER	8	8	8	8	8
24	36248	2 3/8" SPACER	4	4	8	8	8

**PLEASE NOTE:** The illustrations above are for reference only. SUPERIOR IMPLEMENTS reserves the right to change or correct part numbers, descriptions or dimensions at any time. If you have specific questions about parts not specified in the illustration above, please contact your SUPERIOR IMPLEMENTS authorized dealer.