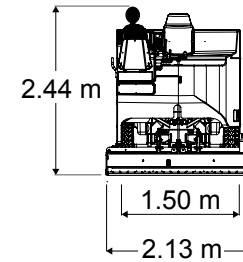
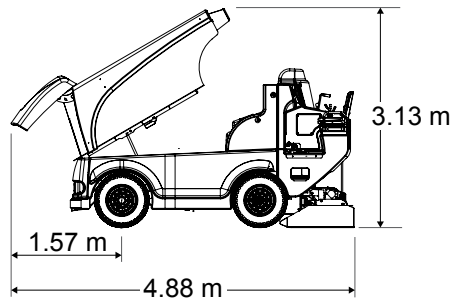
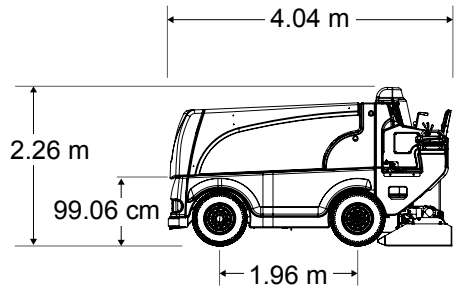


MODEL 650



CAPACITIES

Snow Tank

Actual Volume	3.0 m ³	106 cu. ft.
Compacted	3.74 m ³	132 cu. ft.

Water

Ice Making	757 L	200 gal.
Wash Water	227 L	60 gal.
Total	984 L	260 gal.

Hydraulic Oil	91 L	24 gal.
----------------------	------	---------

POWERTRAIN

Four-Wheel Drive

Motors

AC Hydraulic Pump Motor	8.2 kW	11 HP
AC Traction Motor	17.9 kW	24 HP

Battery	Accommodates a variety* of battery options up to 770Ah	
----------------	--	--

Axles

Front	2717 kg	5990 lb
Rear	4159 kg	9170 lb

DIMENSIONS

Overall

	L	W	H	L	W	H
Snow Tank Down	4.04 m	2.13 m	2.26 m	159 in.	84 in.	89 in.
Snow Tank Up	4.88 m	2.13 m	3.13 m	192 in.	84 in.	123 in.

Shaving Blade

	L	W	H	L	W	H
195.6 cm 77 in. Blade	195.6 cm	12.7 cm	1.27 cm	77 in.	5 in.	0.5 in.

Clearance

Minimum Operator Height Clearance		243.8 cm	96 in.
Snow Pit Clearance		99.06 cm	39 in.

Conveyor System

Horizontal Auger Diameter	25.4 cm	10 in.
Vertical Auger Diameter	25.4 cm	10 in.

Manueverability

Wheelbase	1.96 m	77 in.
Wheel Track	1.50 m	59 in.
Turning Radius at Conditioner	4.83 m	15 ft. 10 in.

Weight

Empty	4853 kg	10700 lb
with Water	5670 kg	12500 lb



Automatic Snow Breaker

Eliminates the need for manual control of the snow breaker by the machine operator.



Zamboni Power Brush™

Wider brush path reaches higher on the dasher board kick plate for superior cleaning power.



Ergonomic Seat

Designed with the operator in mind, our premium seat has optimal adjustability.

**MODEL
650**

STANDARD FEATURES

2 Year Warranty
 400 Micron Wash Water Deep Filter Bag
 Aluminum Alloy Wheels
 Automatic Snow Breaker
 Battery Charger: Microprocessor Controlled
 Brushless AC Motors
 Chassis: Strong All Welded Steel Tubing
 Conditioner Safety Guards
 Dependable Sevcon® Gen4 Controls
 Digital Training and Reference Materials
 Dual Water Fill Pipes
 Electric Water Level Gauge
 Familiar Automobile-Style Foot Controls
 Four-Wheel Drive
 Guide Wheel
 Headlights and Tail Light (for Off Ice Travel)
 High Quality 9 Micron Filter
 High Speed Vertical Auger

Hydraulic Oil Level Sight Gauge
 On-Dash Diagnostics
 Operator Area Storage Bins
 Parking Brake
 Power Steering
 Premium Polyester Felt Spreader Towel
 Replaceable Poly Conditioner Side Plate
 Rugged Dana Spicer® Axles
 Rust-Free Poly Ice Making Water Tank
 Rust-Free Poly Wash Water Tank
 Single Point Battery Watering System
 Snow Tank Maintenance Support
 Stainless Steel Water Distribution Pipe
 Steering Wheel Spinner Knob
 Touch-Up Paint Kit
 Tungsten Carbide Studded Tires
 Wide Spectrum of Premium Automotive Paint Colors
 Zamboni Power Brush™ Board Brush System

OPTIONS

Advanced Water System (AWS™)
 Back Up Alarm
 Blade Change System
 Board Spray
 Conditioner: 96" Blade
 Conditioner: Galvanized
 Heated Ergonomic Comfort Design Seat

- Armrest
- Seatbelt

 IceCaps® Wheel Advertising System
 Rotating Beacon Light
 Snow Tank Light
 Tire Wash System
 Wash Water to Ice Making Water Transfer