

PARTS LIST

MODEL
545



ZAMBONI®

ZAMBONI USA

Frank J. Zamboni & Co., Inc.
15714 Colorado Ave, Paramount CA 90723 U.S.A.
Phone: 562.633.0751 Fax: 562.633.9365

ZAMBONI CANADA

Zamboni Company Ltd.
38 Morton Ave. East., Box 1388, Brantford Ontario, N3T 5T6 Canada
Phone: 519.758.5000 Fax: 519.758.0500

IMPORTANT SAFETY NOTICE

In addition to following proper operational procedures, periodic lubrication and maintenance is important for the safe and reliable performance of your Zamboni ice resurfacing machine.

Improper operation, improper maintenance or lack of maintenance of this machine is dangerous and could result in injury or death.

Read, understand and observe all safety precautions, warnings and labels described in this machine's Operating Instructions before performing lubrication or maintenance and prior to operating this machine.

These warnings in the manuals and on the machine are identified by the symbol:

DANGER



Operations that may cause product damage are identified on the product and in this publication. Zamboni cannot anticipate every possible circumstance that might involve potential hazard.

DANGER



Do not operate or perform maintenance on this machine unless you have read and understood the machine's Operating Instructions. Improper machine operation and maintenance is dangerous and could result in injury or death. Contact Zamboni for free replacement manuals. Proper operation and maintenance is your responsibility.

This Parts List is applicable to all Zamboni Model 545 ice resurfacers (beginning with serial number 8671) and includes identification of optional equipment not present on all machines.

The right column of the Parts List indicates the serial number range of the machines for which a given part is applicable. Items which are listed without an index number are usually closely related to the preceding indexed item and in most cases identify a fastener used with that indexed item.

WHEN ORDERING REPLACEMENT PARTS, PLEASE SUPPLY THE FOLLOWING:

- Part Number (please use the new part number if old and new are listed)
- Description
- Quantity required
- Model number and serial number of your machine
- Shipping instructions (air, surface, parcel post)

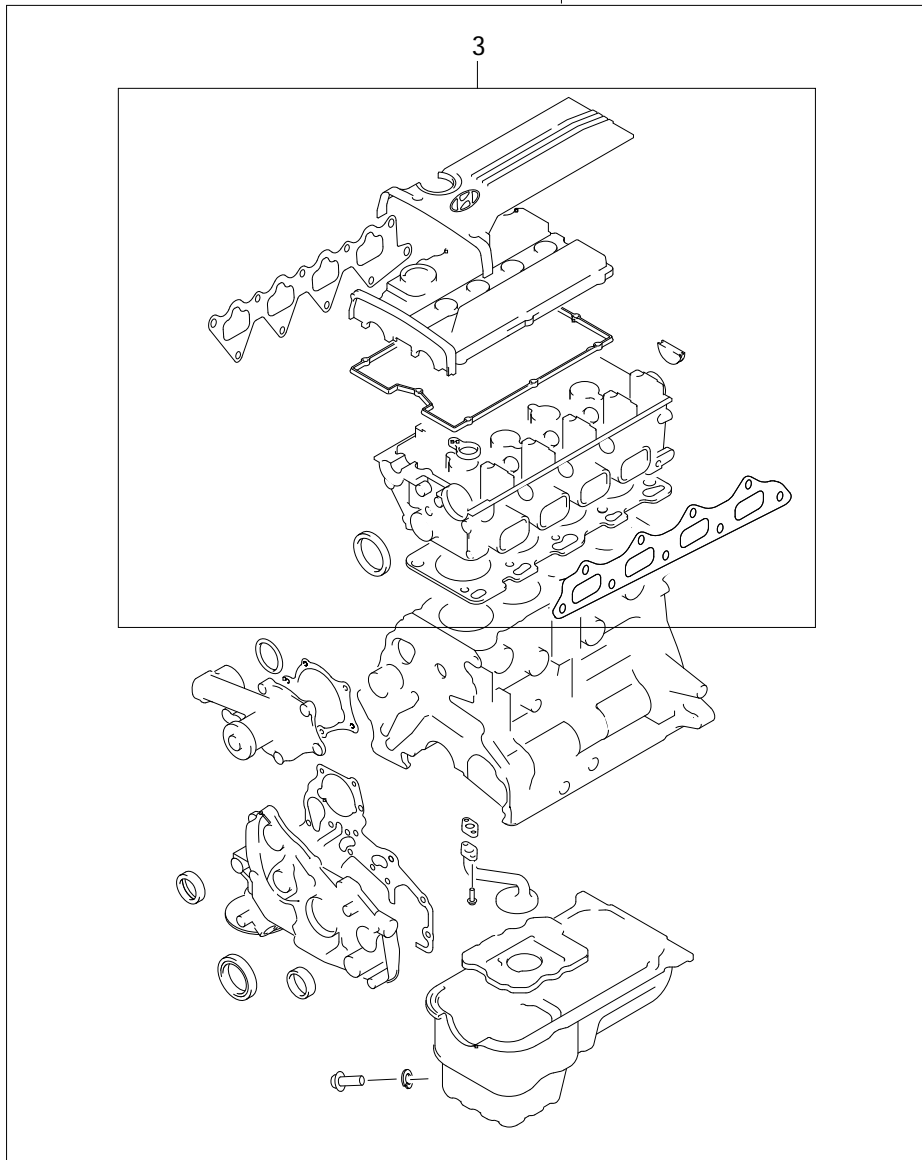
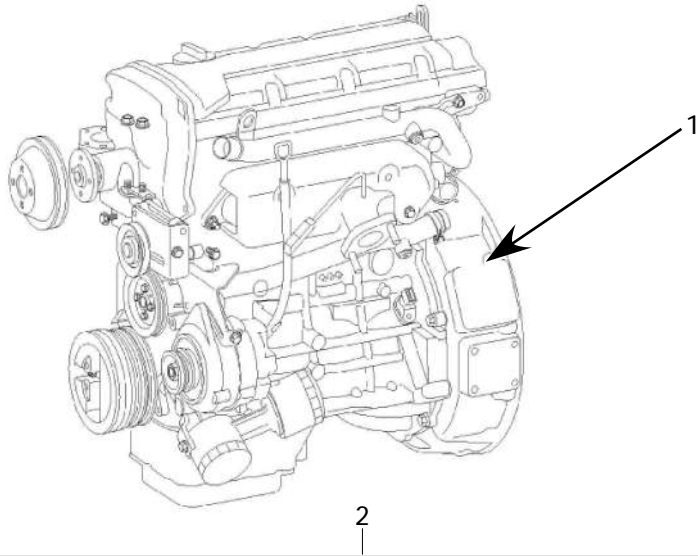
For a list of the most current publications or if you have any questions regarding the correct part number for your machine, please contact our customer service department:

Frank J Zamboni & Co., Inc.
15714 Colorado Avenue
Paramount CA 90723 U.S.A.
Phone: 562.633.0751
Fax: 562.633.9365

ZAMBONI®
MODEL 545 PARTS LIST
CONTENTS

<u>GROUP</u>	<u>DESCRIPTION</u>
1.010	ENGINE
1.020	ENGINE COOLING
1.021	ENGINE EXHAUST SYSTEM
1.030	ENGINE FUEL SYSTEM - LPG
1.040	ENGINE FUEL SYSTEM - GAS
1.050	POWER TRAIN
1.060	TRANSFER CASE
2.000	ELECTRICAL SYSTEM
3.010	AXLES, DRIVE SHAFTS, WHEELS, TIRES, & SUSPENSION
3.020	FRONT AXLE
3.030	REAR AXLE
4.010	HYDROSTAT CONTROL
4.020	STEERING SYSTEM
4.030	BRAKING SYSTEM
5.010	INSTRUCTION PLATES & NAMEPLATES
5.020	BODY PANELS
6.010	VERTICAL CONVEYOR
7.010	HYDROSTATIC DRIVE SYSTEM
7.020	HYDRAULIC SYSTEM
7.030	HYDRAULIC ACCESSORY PUMP
7.040	CHECK VALVE MANIFOLD AND HAND PUMP
7.050	HYDRAULIC OIL TANK
7.060	HYDRAULIC CONTROL VALVES
8.010	SNOW TANK
9.010	ICE MAKING WATER TANK
9.020	WASH WATER TANKS W/O WASH WATER TRANSFER SYSTEM
10.010	OPERATOR'S AREA
11.010	ICE CONDITIONER
11.020	CONDITIONER LIFT
12.010	BOARD BRUSH
13.010	ZAMBONI EDGER ATTACHMENT

GROUP 1.010 ENGINE

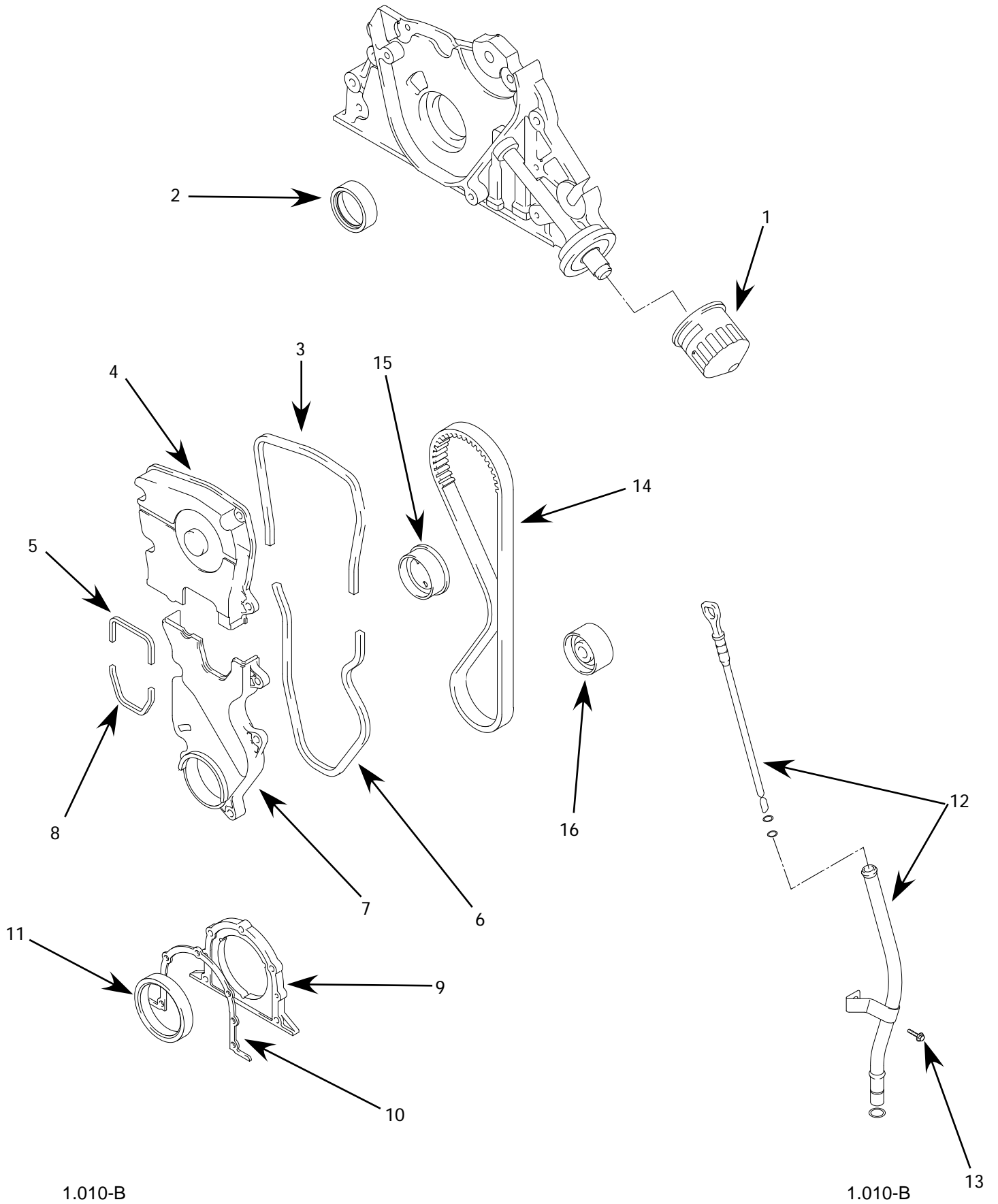


GROUP 1.010 ENGINE

IND	PART NO	COMMON to 500	DESCRIPTION	QTY	SERIAL NO
1	3A-0545L	N	ENGINE, LPG, HYUNDAI 2.0L	1	8671 -
	3A-0545G	N	ENGINE, GAS, HYUNDAI 2.0L	1	8671 -
2	2D-05450	N	GASKET KIT, COMPLETE ENGINE	1	8671 -
3	2D-0545A	N	GASKET KIT, COMPLETE HEAD ASSEMBLY	1	8671 -

GROUP 1.010 ENGINE

OIL PUMP, FILTER, TIMING BELT

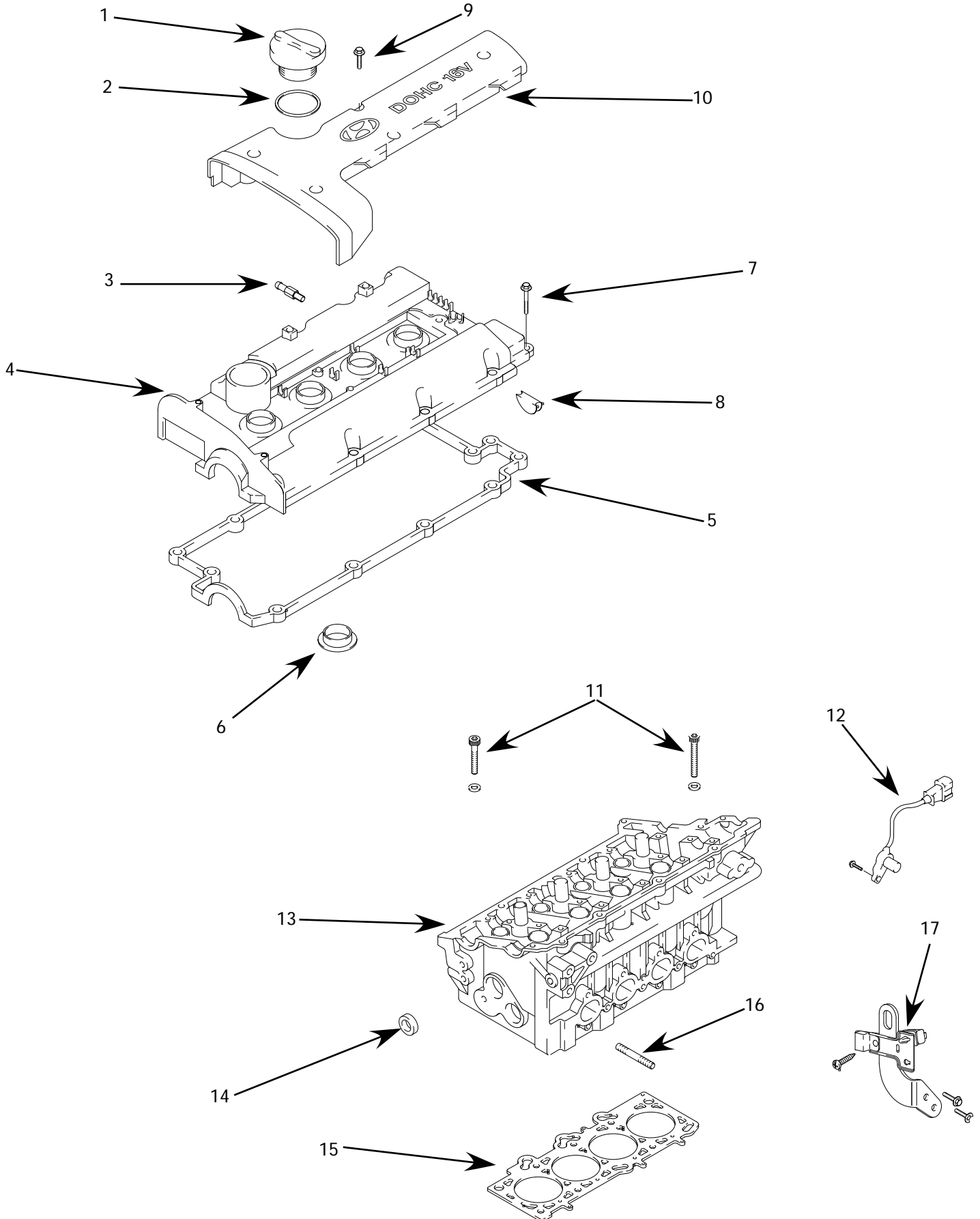


GROUP 1.010 ENGINE

IND	PART NO	COMMON to 500	DESCRIPTION	QTY	SERIAL NO
1	3R-0545A	N	OIL FILTER	1	8671 -
2	2F-0545C	N	SEAL - OIL	1	8671 -
3	2D-0545B	N	GASKET, TIMING BELT, UPPER	1	8671 -
4	3A-0545U	N	COVER, TIMING BELT, UPPER	1	8671 -
5	2D-0545D	N	GASKET, TIMING BELT COVER (2)	1	8671 -
6	2D-0545C	N	GASKET, TIMING BELT, LOWER	1	8671 -
7	3A-0545C	N	COVER, TIMING BELT, LOWER	1	8671 -
8	2D-0545E	N	GASKET, TIMING BELT COVER (1)	1	8671 -
9	2F-0545B	N	CASE, OIL SEAL	1	8671 -
10	2D-0545F	N	GASKET - OIL SEAL	1	8671 -
11	2F-0545B	N	OIL SEAL	1	8671 -
12	3L-54550	N	OIL DIPSTICK ASSEMBLY	1	8671 -
13	3D-0545D	N	BOLT, OIL DIPSTICK	1	8671 -
14	42-54500	N	TIMING BELT	1	8671 -
15	10-54500	N	AUTO TENSIONER, TIMING BELT	1	8671 -
16	10-54510	N	IDLER, TIMING BELT	1	8671 -

GROUP 1.010 ENGINE

CYLINDER HEAD

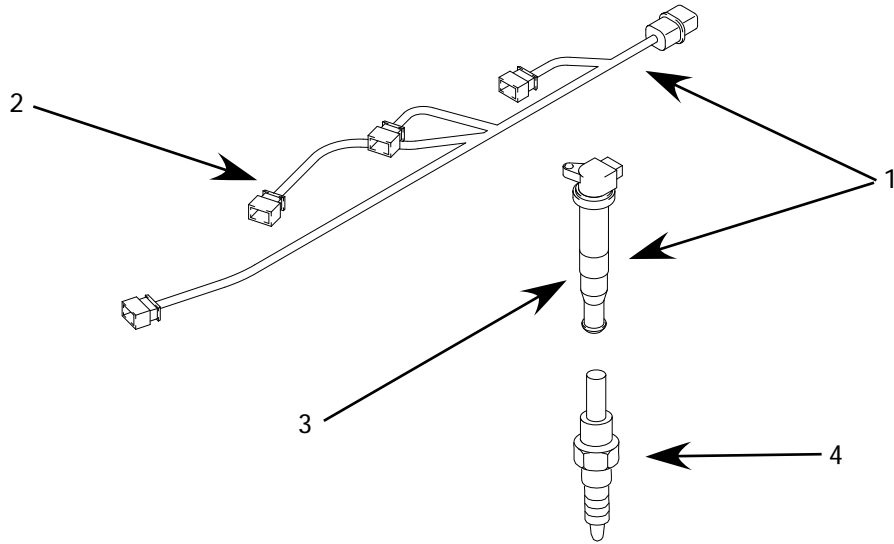


GROUP 1.010 ENGINE

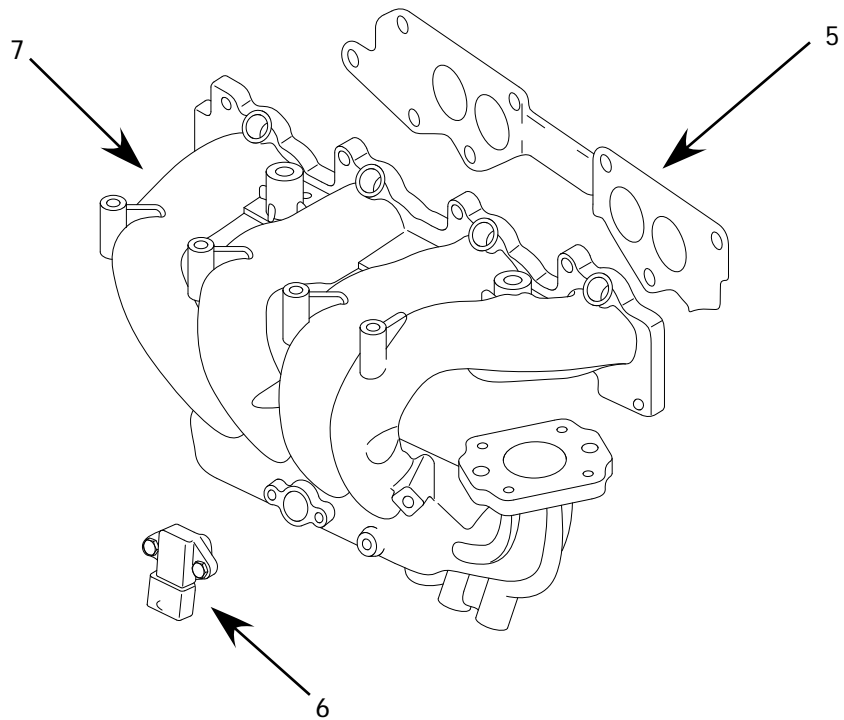
IND	PART NO	COMMON to 500	DESCRIPTION	QTY	SERIAL NO
1	3L-0545A	N	OIL FILLER CAP	1	8671 -
2	3L-0545B	N	PACKING, OIL FILLER CAP	1	8671 -
3	3F-54560	N	PCV VALVE	1	8671 -
4	3A-0545V	N	VALVE COVER	1	8671 -
5	3B-54510	N	GASKET, VALVE COVER	1	8671 -
6	2F-0545V	N	OIL SEAL	4	8671 -
7	3D-0545V	N	BOLT, VALVE COVER	12	8671 -
8	3L-0545V	N	PACKING, SEMI-CIRCULAR	1	8671 -
9	3D-0545D	N	BOLT, PLASTIC TOP COVER	4	8671 -
10	3A-0545T	N	PLASTIC TOP COVER	1	8671 -
11	3B-0545A	N	BOLT, CYLINDER HEAD	8	8671 -
	3B-0545B	N	WASHER, CYLINDER HEAD	8	8671 -
12	3H-5450E	N	SENSOR, TOP DEAD CENTER	1	8671 -
13	3A-0545H	N	HEAD ASSEMBLY	1	8671 -
14	2F-0545S	N	OIL SEAL CAMSHAFT	1	8671 -
15	3B-54500	N	HEAD GASKET	1	8671 -
16	3D-0545E	N	EXHAUST MANIFOLD STUD	8	8671 -
17	3E-54560	Y	CONDENSER ASSEMBLY	1	8671 -

GROUP 1.010 ENGINE

IGNITION



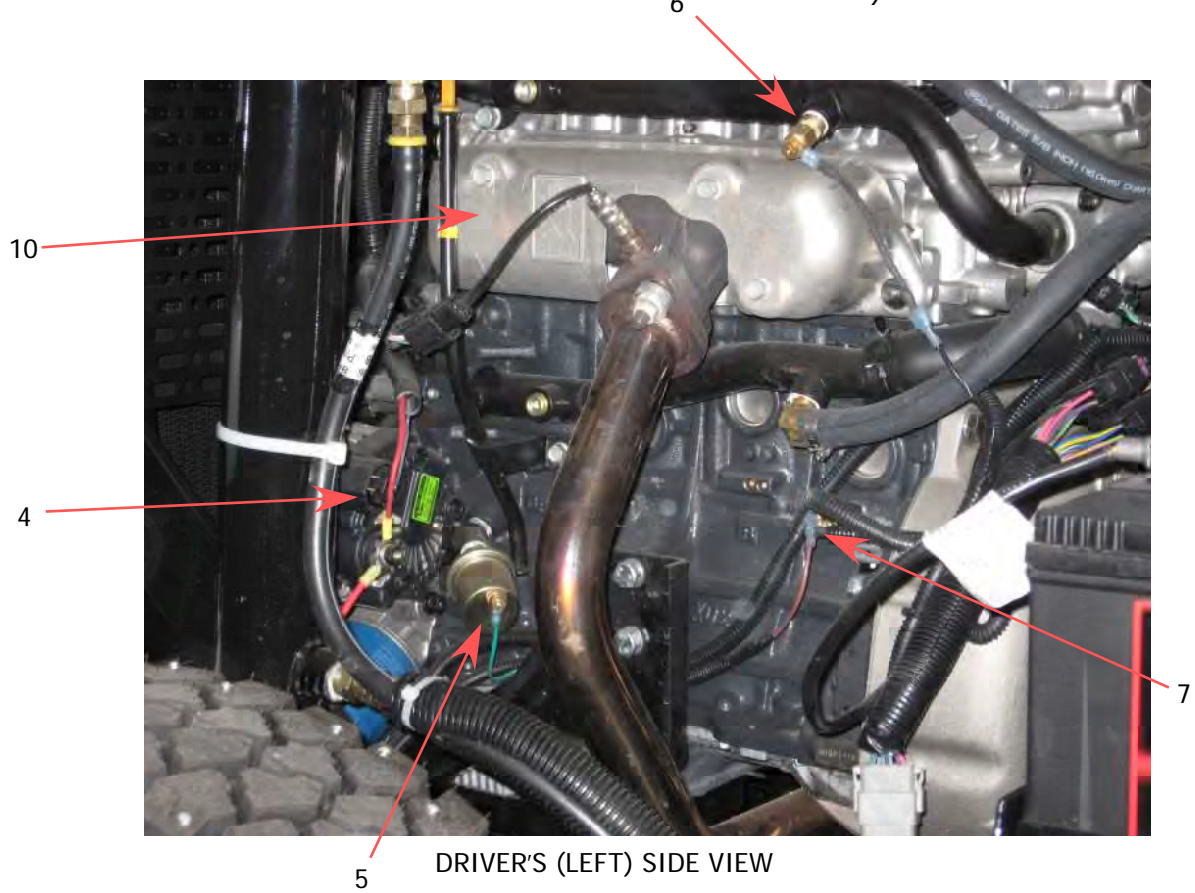
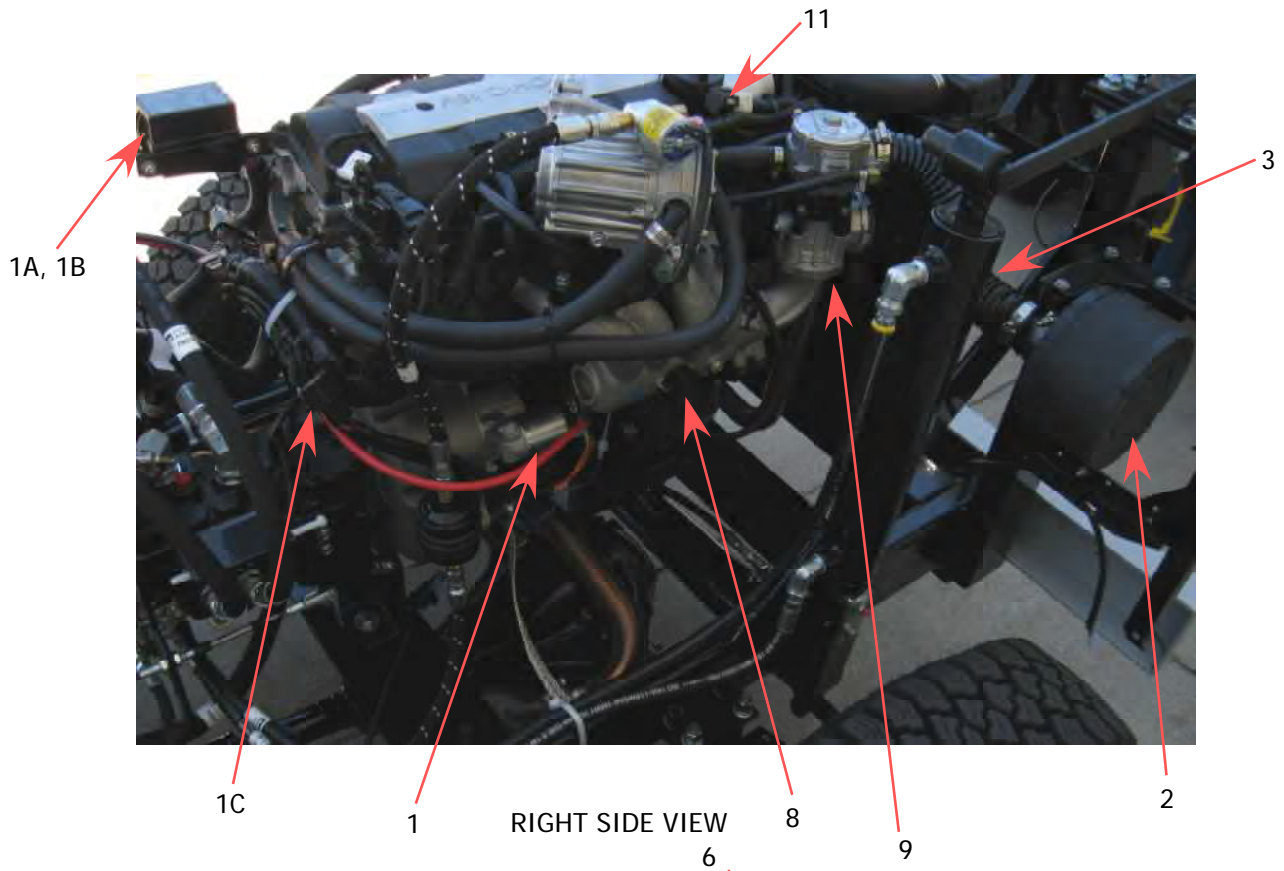
INTAKE MANIFOLD



GROUP 1.010 ENGINE

IND	PART NO	COMMON to 500	DESCRIPTION	QTY	SERIAL NO
1	3E-54520	N	IGNITION COIL AND WIRE ASSEMBLY	1	8671 -
2	3E-54530	N	EXTENSION, IGNITION WIRE	1	8671 -
3	3E-54540	N	COIL ASSEMBLY	4	8671 -
4	3E-54550	N	SPARK PLUG	4	8671 -
5	3F-54510	N	INTAKE MANIFOLD GASKET	1	8671 -
6	3H-5450D	N	MAP SENSOR	1	8671 -
7	3F-54530	N	INTAKE MANIFOLD, HYUNDAI 2.0L	1	8671 -

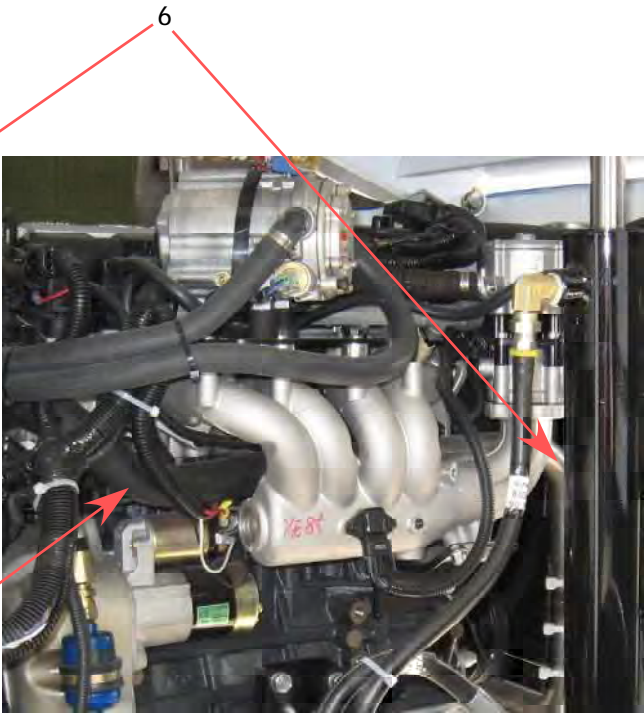
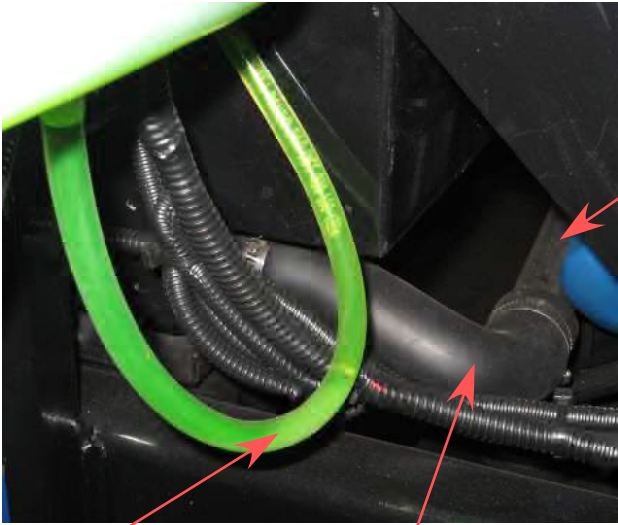
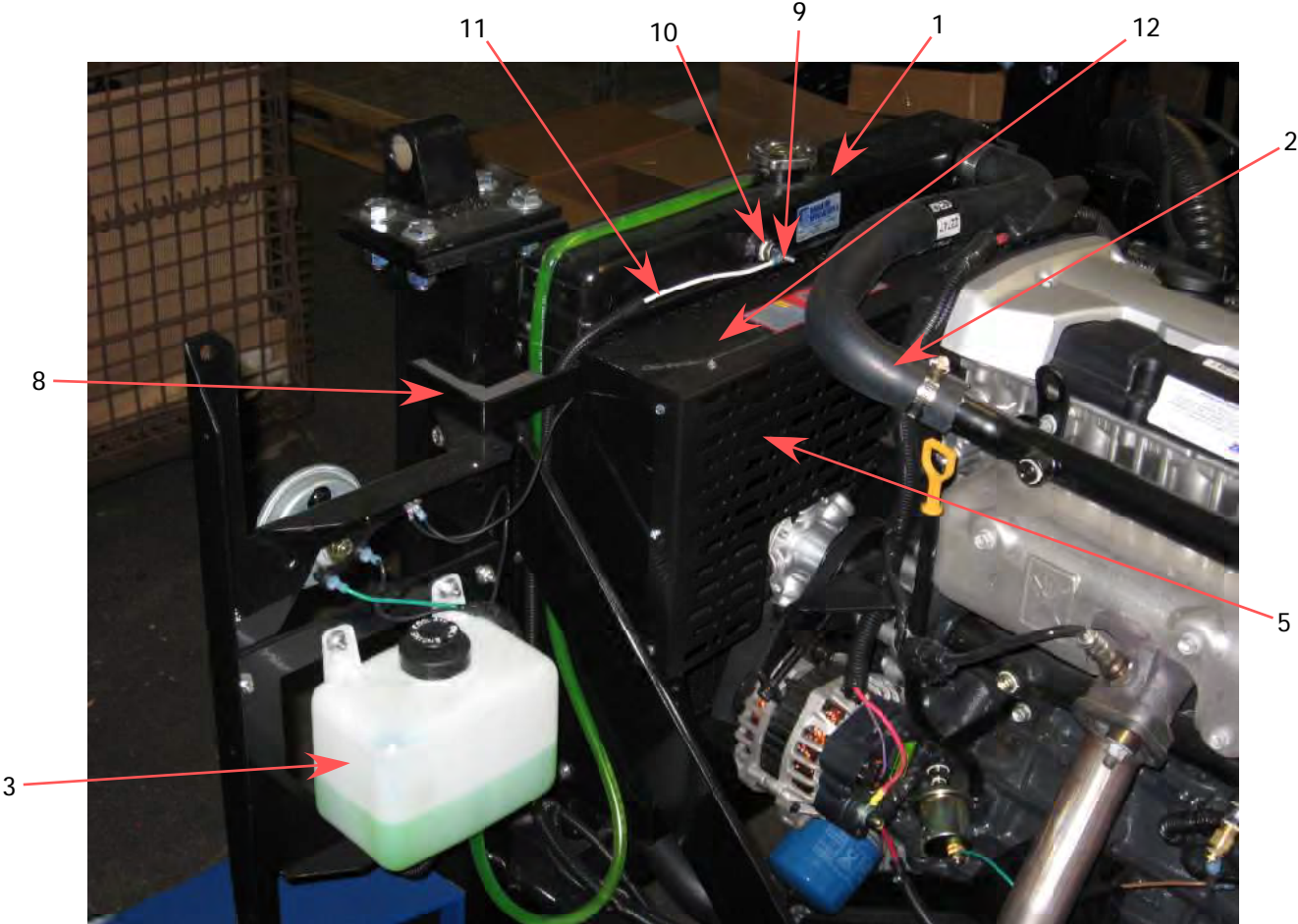
GROUP 1.010 ENGINE



GROUP 1.010 ENGINE

IND	PART NO	COMMON to 500	DESCRIPTION	QTY	SERIAL NO
1	3E-54500	N	STARTER MOTOR W/ SOLENOID	1	8671 -
1A	3E-57570	N	RELAY, POWER	1	8671 -
1B	3E-54580	N	RELAY, KEY SWITCH	1	8671 -
1C	3E-42100	N	RELAY, STARTER	1	9339 -
2	3R-75450	N	AIR CLEANER CANISTER	1	8671
	3R-75460	N	AIR CLEANER CANISTER, DRILLED	1	8672 -
3	RC-75455	N	HOSE, AIR CLEANER	1	8671 -
4	3E-1545A	N	ALTERNATOR	1	8671 -
5	7K-50060	N	SENDING UNIT, OIL PRESSURE	1	8671 -
	F1-05450	N	BUSHING, 1/8 NPT TO 3/8 NPT	1	8671 -
	F2-75075	N	ELBOW, 45°, 3/8 MALE PIPE TO FEMALE PIPE	1	8671 -
6	7K-9001D	N	SENDING UNIT, COOLANT TEMPERATURE	1	8671 -
	F1-06687	N	BUSHING, 1/4 NPT TO 3/8 NPT	1	8671 -
7	3L-0400N	N	SWITCH, LOW OIL PRESSURE	1	8671 -
8	3H-5450D	N	MAP SENSOR	1	8671 -
9	3F-0530A	N	THROTTLE BODY ASSEMBLY	1	8671 -
10	49-0545A	N	HEAT SHIELD, EXHAUST	1	8671 -
11	7D-54500	N	CAP, ECU CONNECTION PLUG	1	8671 -
N/S	75-18541	N	PLUG, ECU DIAGNOSTIC GROUND JUMPER	1	8671 -
N/S	7T-5523E	N	COMPUTER/ECU INTERFACE	1	8671 -
N/S	7T-5523F	N	OBDII INTERFACE	1	8671 -
N/S	3M-17710	Y	ISOLATOR, ENGINE, FRONT	2	8671 -
	HA-13018	Y	SCREW, HEX HEAD, 7/16-20 X 2½	2	8671 -
	HA-12860	Y	WASHER, FLAT, 7/16	2	8671 -
	HD-12862	Y	WASHER, SPLIT LOCK, 7/16	2	8671 -
	HA-13981	Y	LOCKNUT, 7/16-20	2	8671 -
N/S	3M-17715	N	ISOLATOR, ENGINE, REAR	2	8671 -
	HA-13018	N	SCREW, HEX HEAD, 1/2-13 X 21/4	2	8671 -
	HA-12860	N	WASHER, FLAT, 1/2	4	8671 -
	HA-13981	N	LOCKNUT, 1/2-13	2	8671 -
N/S	3L-0545C	N	OIL DRAIN PLUG	1	8671
N/S	3L-0545D	N	GASKET, OIL DRAIN PLUG	1	8671 -

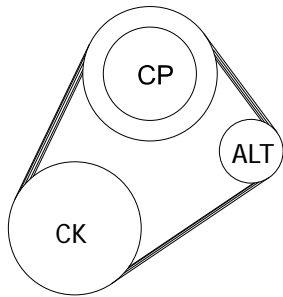
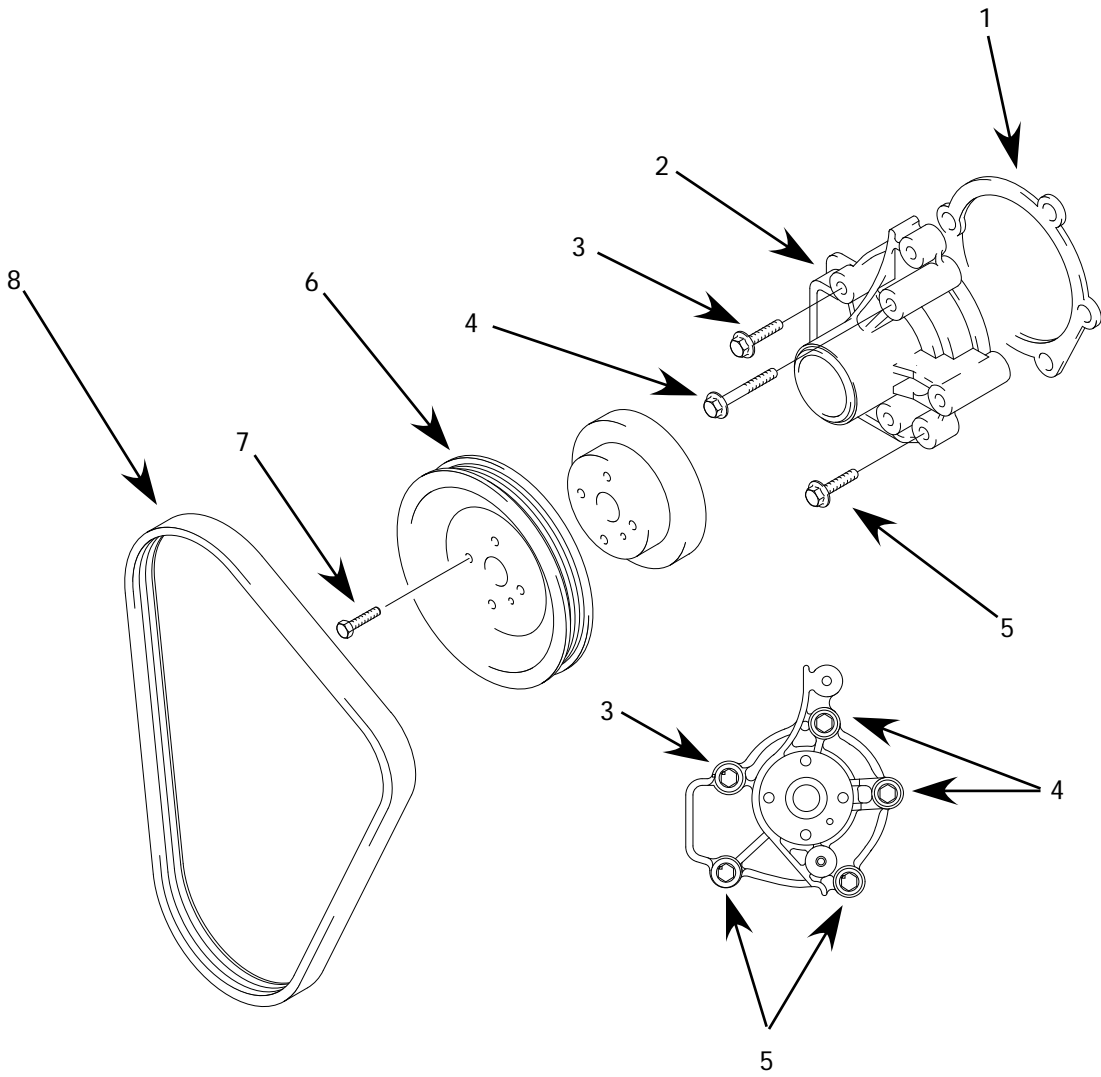
GROUP 1.020 ENGINE COOLING



GROUP 1.020 ENGINE COOLING

IND	PART NO	COMMON to 500	DESCRIPTION	QTY	SERIAL NO
1	3C-05400	N	RADIATOR W/ CAP	1	8671 -
	3C-0540E	N	RADIATOR, REBUILT	1	8671 -
	3C-0540F	N	RADIATOR CAP	1	8671 -
	KZ-54500	N	KIT, RADIATOR REPLACEMENT	1	8671 - 8701
2	3C-54520	N	HOSE, UPPER RADIATOR	1	8671 -
	27-2024A	N	CLAMP, HOSE, 1" x 2"	2	8671 -
3	3C-0541B	N	BOTTLE, OVERFLOW	1	8671 -
4	RH-2088A	N	HOSE, OVERFLOW	1	8671 -
5	3C-0545E	N	GUARD, FAN	1	8671 -
N/S	3C-0545C	N	FAN	1	8671 -
6	3C-54500	N	TUBE, S.S., LOWER RADIATOR	1	8671 -
7	3C-54510	N	HOSE, LOWER RADIATOR	1	8671 -
	27-2024A	N	CLAMP, HOSE, 1" x 2"	2	8671 -
7A	3C-54600	N	HOSE, COOLANT, INLET, FLEX	1	8671 - 8697
	3C-54610	N	HOSE, COOLANT, INLET	1	8678 -
8	5T-52520	N	ISOLATOR BRACKET, TOP LEFT	1	8671 -
N/S	5T-52530	N	ISOLATOR BRACKET, TOP RIGHT	1	8671 -
9	3H-0560L	N	SENSOR, COOLANT	1	8671 -
N/S	3H-0560M	N	MODULE, COOLANT LEVEL DETECTOR	1	8671 -
10	F1-05400	N	BUSHING, 1/8 NPT TO 1/4 NPT	1	8671 -
11	75-05400	N	LOOM, COOLANT ALARM	1	8671 -
12	3C-0545D	N	SHROUD, RADIATOR	1	8671 -

GROUP 1.020 ENGINE COOLING

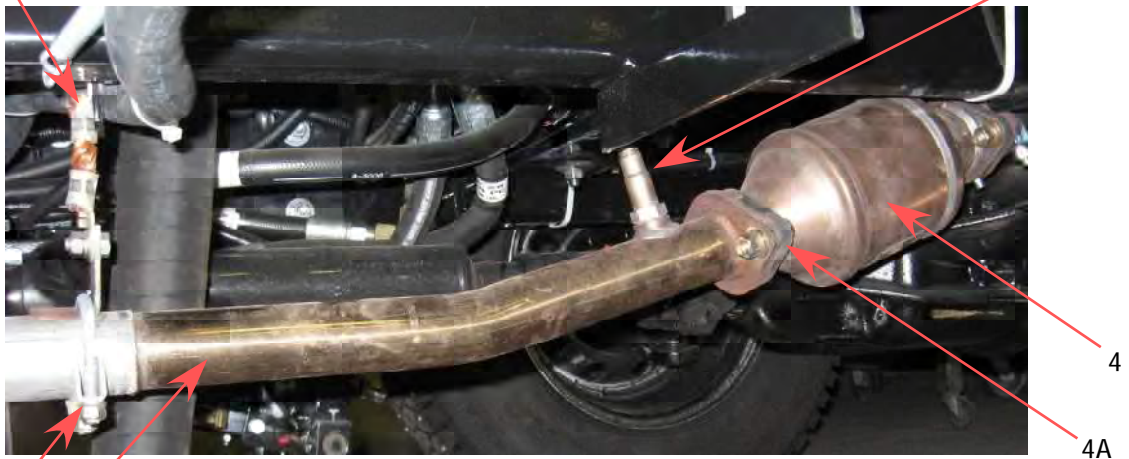
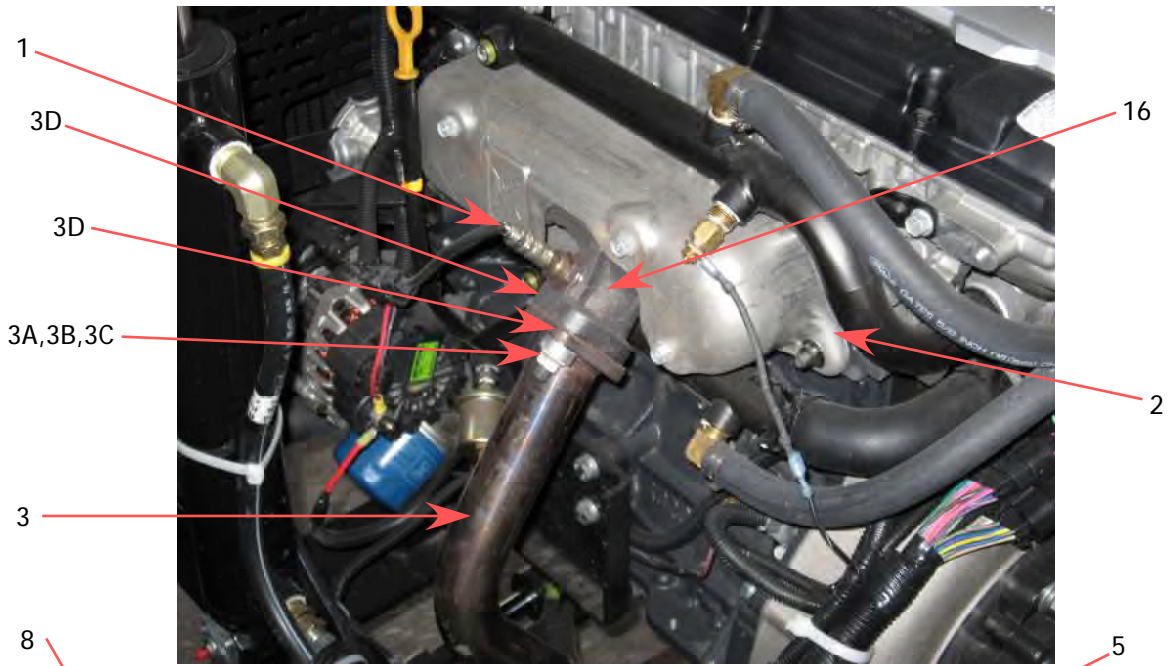


CP: COOLANT PUMP
ALT: ALTERNATOR
CK: CRANKSHAFT

GROUP 1.020 ENGINE COOLING

IND	PART NO	COMMON to 500	DESCRIPTION	QTY	SERIAL NO
1	3C-54510	N	GASKET, WATER PUMP	1	8671 -
2	3C-54500	N	PUMP ASSEMBLY, WATER	1	8671 -
3	3C-54570	N	BOLT - FLANGE	1	8671 -
4	3C-54580	N	BOLT - SPRING WASHER ASSEMBLY	2	8671 -
5	3C-54590	N	BOLT - FLANGE	2	8671 -
6	3C-54560	N	PULLEY, WATER PUMP	1	8671 -
7	3D-0545W	N	BOLT - WASHER ASSEMBLY	4	8671 -
8	42-05450	N	BELT, V-RIBBED	1	8671 -
N/S	3C-19545	N	THERMOSTAT ASSEMBLY, COMPLETE	1	8671 -
N/S	3C-1954A	N	THERMOSTAT	1	8671 -
N/S	3C-54550	N	GASKET, WATER INLET FITTING	1	8671 -
N/S	3H-5450C	N	SENSOR, WATER TEMPERATURE	1	8671 -

GROUP 1.021 ENGINE EXHAUST SYSTEM



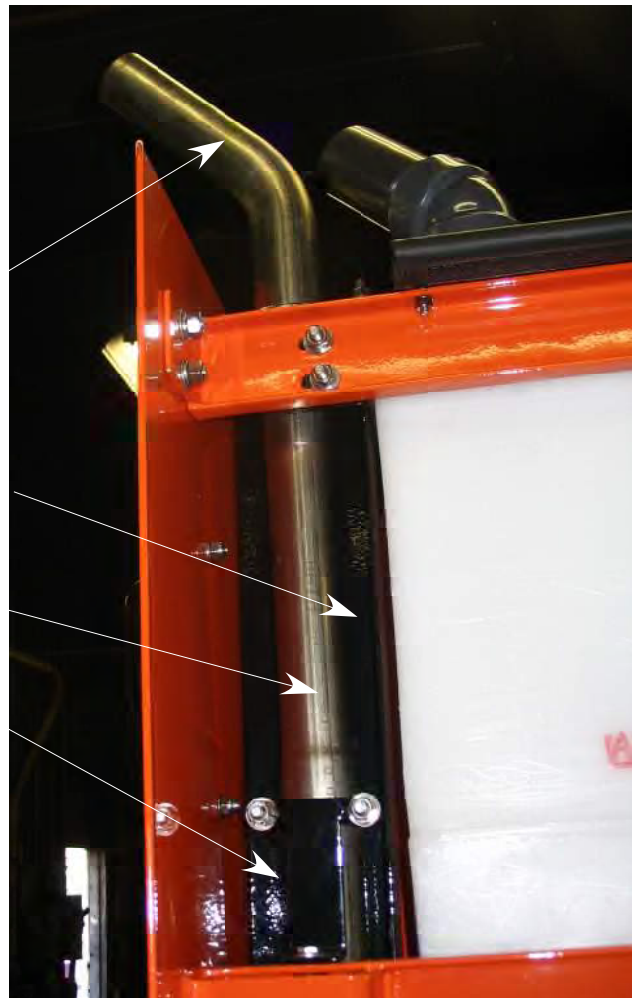
GROUP 1.021 ENGINE EXHAUST SYSTEM

IND	PART NO	COMMON to 500	DESCRIPTION	QTY	SERIAL NO
1	3H-5450A	N	OXYGEN SENSOR, PRE CAT	1	8671 -
2	3D-54540	N	GASKET, EXHAUST MANIFOLD	1	8671 -
3	3D-0545A	N	EXHAUST PIPE W/FLEX, MANIFOLD TO CAT	1	8671 -
3A	3D-0545E	N	STUD, EXHAUST MANIFOLD OUTLET	2	8671 -
3B	3D-0545F	N	FLANGE NUT, EXHAUST MANIFOLD OUTLET	2	8671 -
3C	13-54010	N	SPACER, EXHAUST MANIFOLD OUTLET	2	8671 -
3D	2D-15450	N	GASKET, EXHAUST FLANGE	1	8671-
4	3D-0545B	N	CATALYTIC CONVERTOR	1	8671 -
4A	2D-15460	N	GASKET, CAT	2	8671 -
	HA-08013	N	SCREW, HEX HEAD, 5/16-18 X 1¼	4	8671 -
	HA-00000	N	WASHER, FLAT	8	8671 -
	HA-08862	N	WASHER, LOCK, 5/16	4	8671 -
	HA-08980	N	NUT, HEX, 5/16-18	4	8671 -
5	3H-5450B	N	OXYGEN SENSOR, POST CAT	1	8671 -
6	3D-0545C	N	EXHAUST PIPE, CAT TO MUFFLER	1	8671 -
7	27-31540	N	CLAMP, MUFFLER, 1 3/4	3	8671 -
8	3D-4028C	N	HANGER, EXHAUST PIPE, COPPER	2	8671 -
9	3D-17920	Y	MUFFLER	1	8671 -
10	5T-23041	N	BRACKET, EXHAUST HANGER, REAR	1	8671 -
11	3D-18050	Y	TAIL PIPE	1	8671 -
12	5T-23030	Y	BRACKET, EXHAUST PIPE	1	8671 -
13	5T-23011	Y	BRACKET, EXHAUST HEAT SHIELD	1	8671 -
14	3D-18080	Y	EXHAUST PIPE, UPPER	1	8671 -
15	3D-18070	Y	EXHAUST PIPE, INTERMEDIATE	1	8671 -
16	3D-54550	N	MANIFOLD ASSEMBLY, EXHAUST, HYUNDAI 2.0L	1	8671 -

GROUP 1.021 ENGINE EXHAUST SYSTEM



10
8
7
11

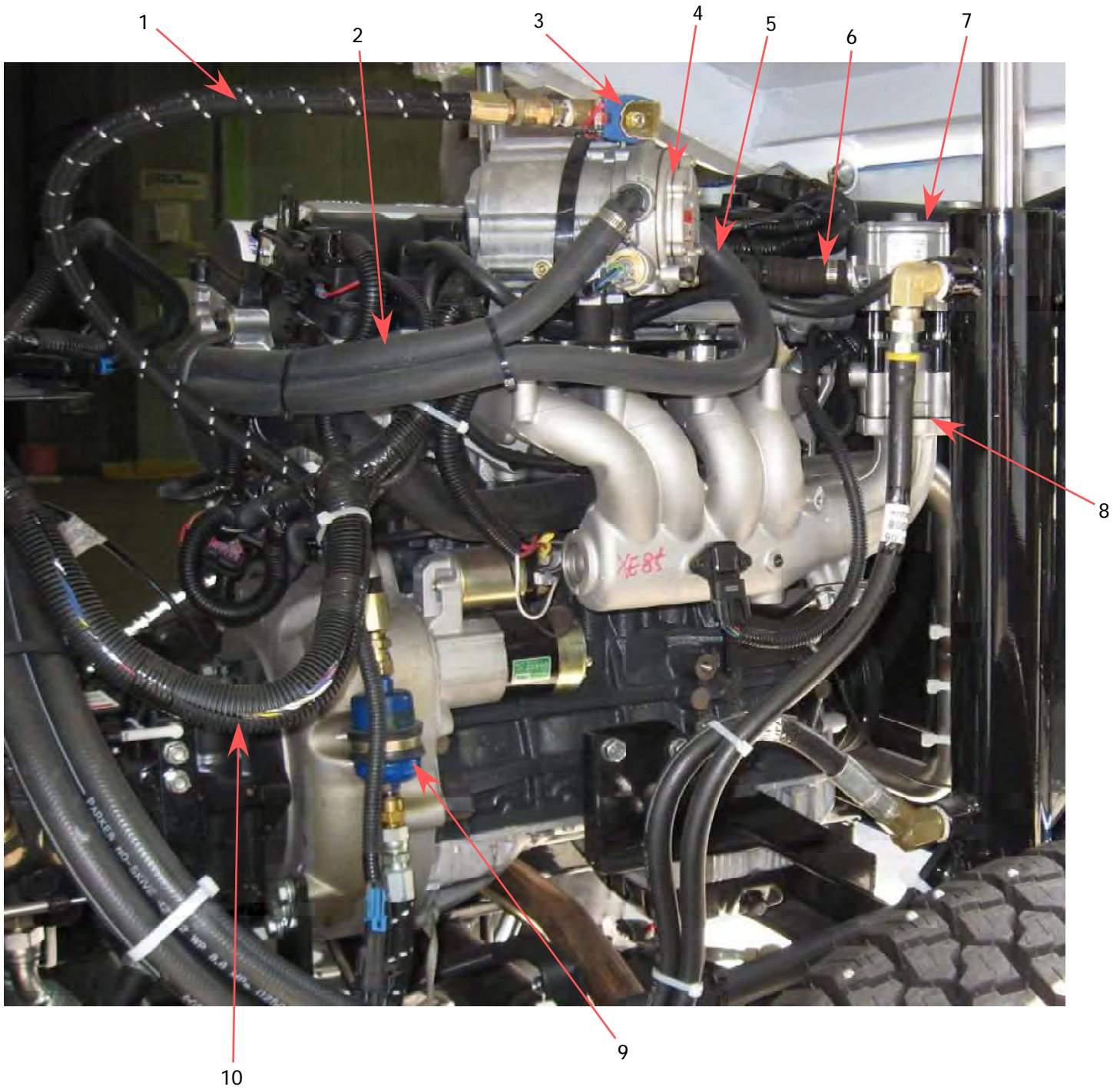


14
13
15
12

GROUP 1.021 ENGINE EXHAUST SYSTEM

IND	PART NO	COMMON to 500	DESCRIPTION	QTY	SERIAL NO
1	3H-5450A	N	OXYGEN SENSOR, PRE CAT	1	8671 -
2	3D-54540	N	GASKET, EXHAUST MANIFOLD	1	8671 -
3	3D-0545A	N	EXHAUST PIPE, MANIFOLD TO CAT	1	8671 -
3A	3D-0545E	N	STUD, EXHAUST MANIFOLD OUTLET	2	8671 -
3B	3D-0545F	N	FLANGE NUT, EXHAUST MANIFOLD OUTLET	2	8671 -
3C	13-54010	N	SPACER, EXHAUST MANIFOLD OUTLET	2	8671 -
3D	2D-15450	N	GASKET, EXHAUST FLANGE	1	8671 -
4	3D-0545B	N	CATALYTIC CONVERTOR	1	8671 -
4A	2D-15460	N	GASKET, CAT	2	8671 -
	HA-08013	N	SCREW, HEX HEAD, 5/16-18 X 1¼	4	8671 -
	HA-00000	N	WASHER, FLAT	8	8671 -
	HA-08862	N	WASHER, LOCK, 5/16	4	8671 -
	HA-08980	N	NUT, HEX, 5/16-18	4	8671 -
5	3H-5450B	N	OXYGEN SENSOR, POST CAT	1	8671 -
6	3D-0545C	N	EXHAUST PIPE, CAT TO MUFFLER	1	8671 -
7	27-31540	N	CLAMP, MUFFLER, 1 3/4	3	8671 -
8	3D-4028C	N	HANGER, EXHAUST PIPE, COPPER	2	8671 -
9	3D-17920	Y	MUFFLER	1	8671 -
10	5T-23041	N	BRACKET, EXHAUST HANGER, REAR	1	8671 -
11	3D-18050	Y	TAIL PIPE	1	8671 -
12	5T-23030	Y	BRACKET, EXHAUST PIPE	1	8671 -
13	5T-23011	Y	BRACKET, EXHAUST HEAT SHIELD	1	8671 -
14	3D-18080	Y	EXHAUST PIPE, UPPER	1	8671 -
15	3D-18070	Y	EXHAUST PIPE, INTERMEDIATE	1	8671 -
16	3D-54550	N	MANIFOLD ASSEMBLY, EXHAUST, HYUNDAI 2.0L	1	8671 -

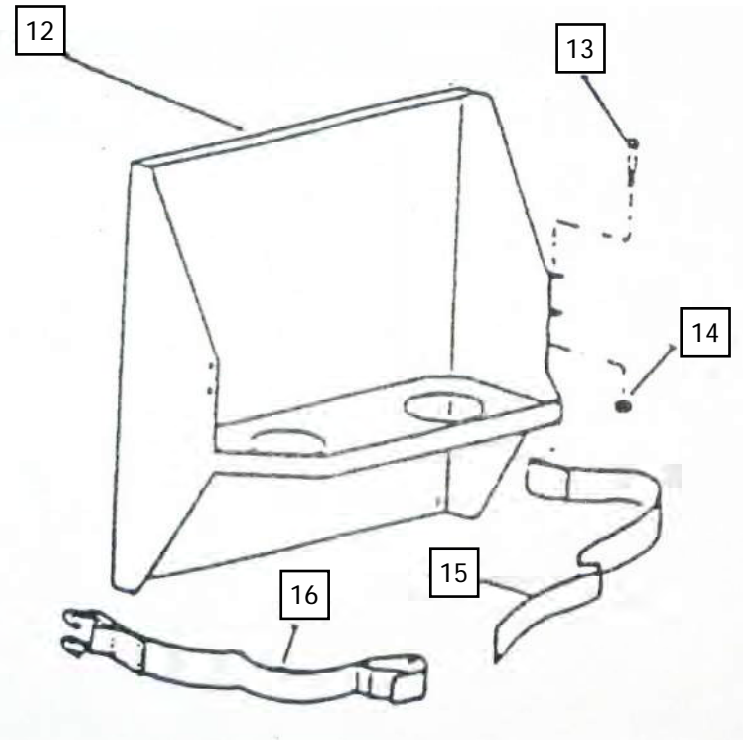
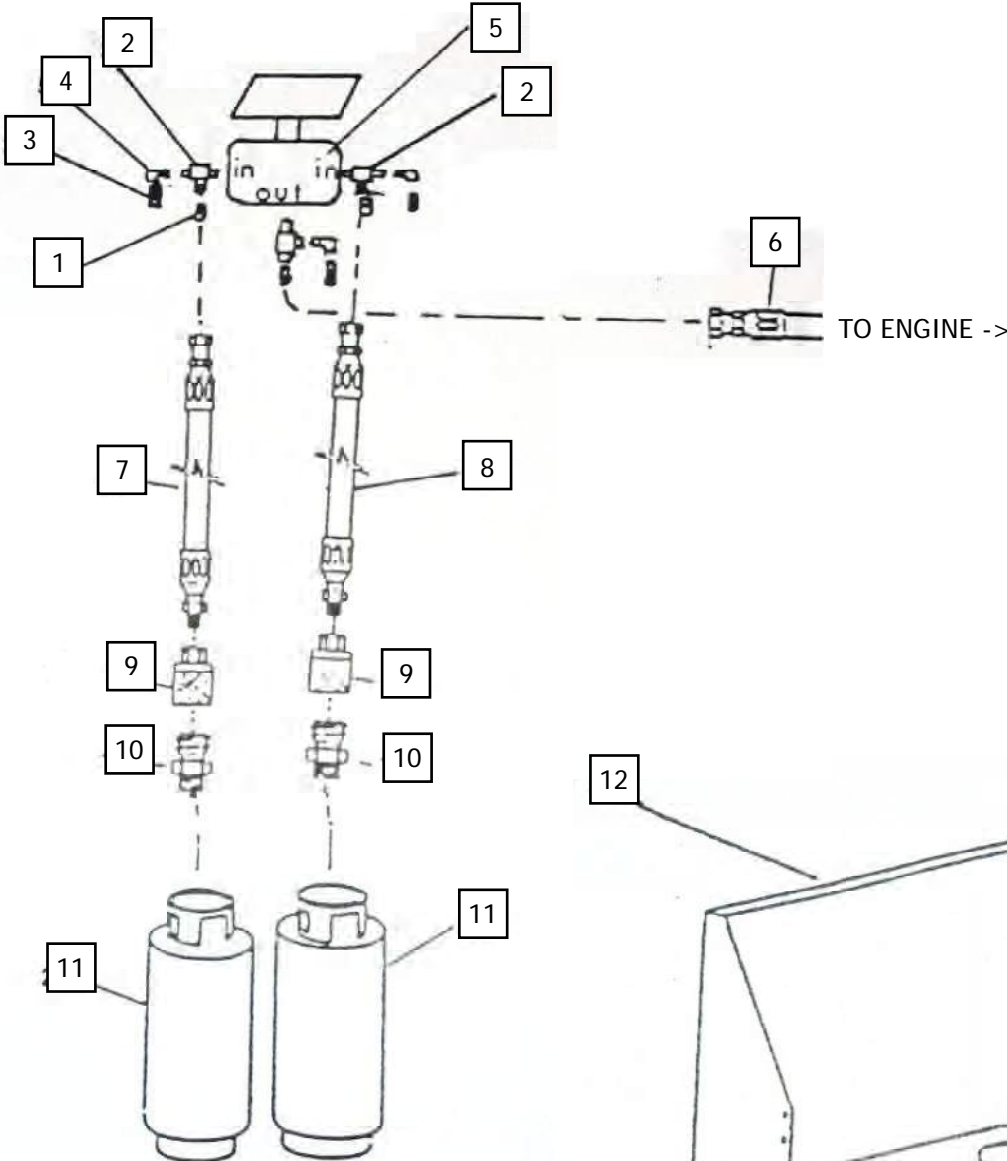
GROUP 1.030 ENGINE FUEL SYSTEM - LPG



GROUP 1.030 ENGINE FUEL SYSTEM - LPG

IND	PART NO	COMMON to 500	DESCRIPTION	QTY	SERIAL NO
1	P4-3080B	N	HOSE, LPG SUPPLY TO EPR	1	8671 -
2	RH-3136A	N	COOLANT HOSE, INLET TO EPR	1	8671 -
3	3F-72530	N	LOCK-OFF VALVE, LPG, ELECTRONIC	1	8671 -
4	3F-72545	N	EPR, E-CONTROLS	1	8671 -
	FP-72700	N	ELBOW FITTING, 70°, COOLANT/EPR	1	8671 -
	2E-0016B	N	O-RING, EPR COOLANT ELBOW	1	8671 -
	FP-72710	N	STRAIGHT FITTING, EPR FUEL OUTLET	1	8671 -
	2E-0018B	N	O-RING, EPR FUEL OUTLET FITTING	1	8671 -
	FP-72705	N	RETAINING CLIP, EPR COOLANT ELBOW	1	8671 -
	3M-72700	N	VIBRATION MOUNT, EPR	1	8671 -
	FP-72715	N	STRAIGHT FITTING, MIXER FUEL INLET	1	8671 -
	2E-0016B	N	O-RING, MIXER FUEL INLET FITTING	1	8671 -
	3C-72700	N	LPG TEMPERATURE SENSOR, EPR	1	8671 -
	KZ-72700	N	KIT, IMPCO REPAIR RK-EPR-3	1	8671 -
5	RH-3172A	N	COOLANT HOSE, OUTLET FROM EPR	1	8671 -
6	P4-54500	N	HOSE, VAPOR SUPPLY TO ENGINE	1	8671 -
7	3F-85545	N	MIXER, LPG	1	8671 -
	2D-0545H	N	GASKET, MIXER	1	8671 -
	2E-05450	N	O-RING, MIXER/THROTTLE BODY	1	8671 -
8	3F-0530A	N	THROTTLE BODY ASSEMBLY	1	8671 -
	2D-0545G	N	GASKET, THROTTLE BODY	1	8671 -
9	3R-1525L	N	INLINE FILTER, LPG	1	8671 -
10	75-1545L	N	ENGINE HARNESS	1	8671 -
	75-1545P	N	WIRE HARNESS, PIGTAIL	1	8671 -
N/S	3H-5450L	N	ELECTRONIC CONTROL UNIT (ECU), LPG	1	8671 -

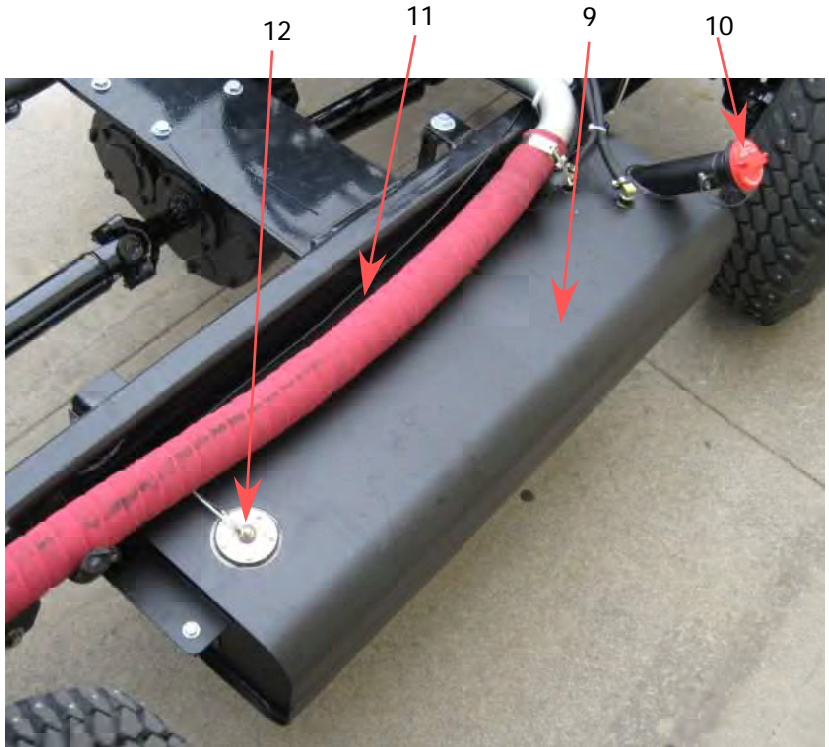
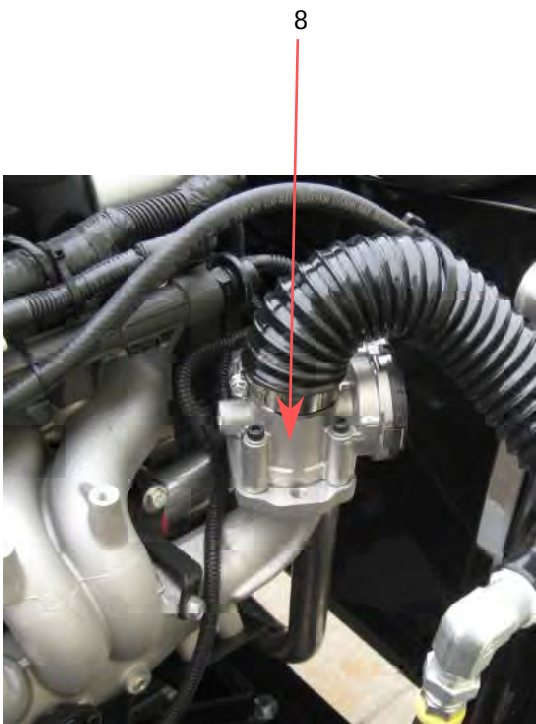
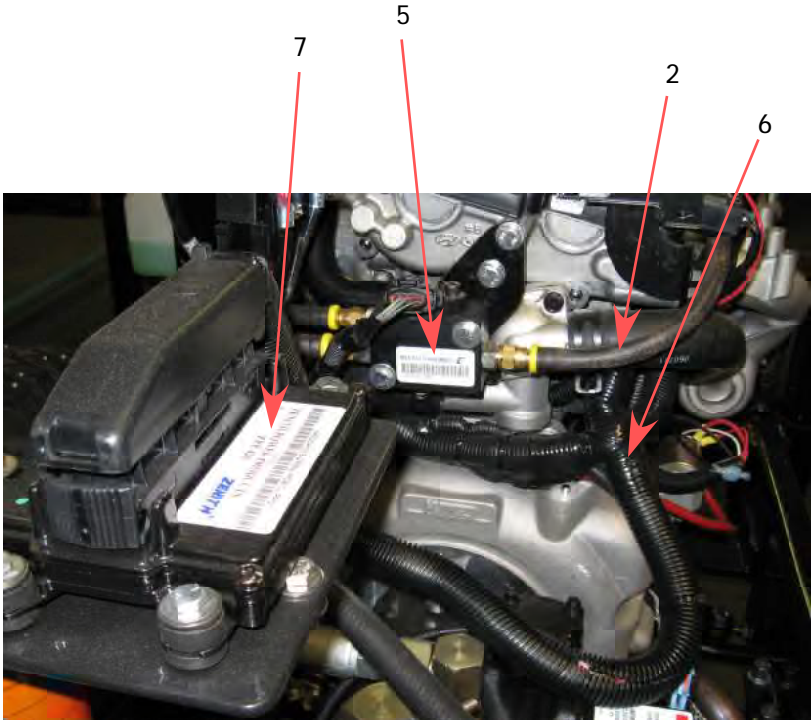
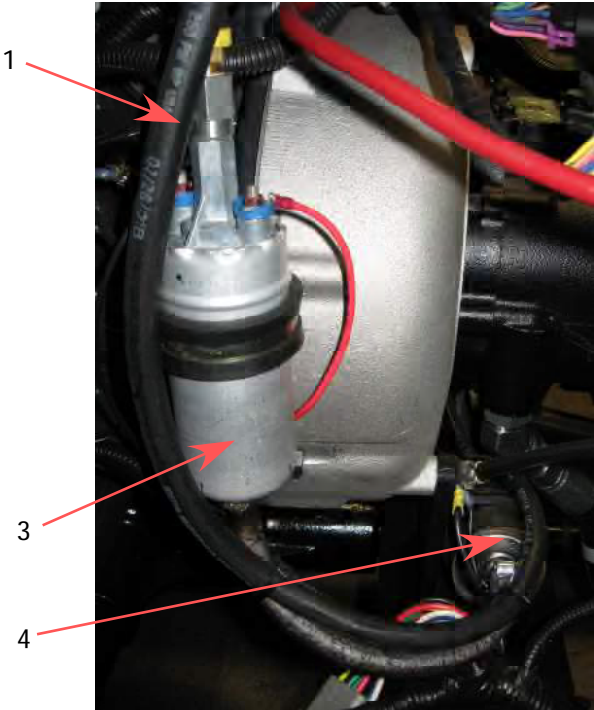
GROUP 1.030 ENGINE FUEL SYSTEM - LPG



GROUP 1.030 ENGINE FUEL SYSTEM - LPG

IND	PART NO	COMMON to 500	DESCRIPTION	QTY	SERIAL NO
1	F5-62450	Y	ADAPTER, 04MP X 06 MALE SAE 45	3	8671 -
2	FL-82170	Y	TEE, 04MP X 04FP RUN, 04FP BRANCH	3	8671 -
3	2V-72770	Y	RELIEF VALVE	3	8671 -
4	FL-69550	Y	90EL, 04MP X 04FP	3	8671 -
5	2V-72760	Y	MANUAL 3-WAY VALVE, PROPANE	1	8671 -
	2V-72765	Y	HANDLE, 3-WAY VALVE	1	8671 -
	KZ-0043C	N	KIT, LPG-MANUAL VALVE, 540	1	8671 -
N/S	7P-0043C	Y	SWITCH, PRESSURE, LPG LOW FUEL	1	9337 -
6	P4-3600B	N	HOSE ASSY, FUEL, 3/8 X 150, 06F5 X 06F5	1	8671 -
N/S	PF-3080B	N	HOSE ASSY, FUEL, 3/8 X 22, 06F5 X 06F5	1	8671 -
7	P4-3110B	Y	HOSE ASSY, FUEL, 3/8 X 26, 06FS X 04MP	1	8671 -
8	P4-3135B	Y	HOSE, 3/8 X 32, 06FS X 04MP	1	8671 -
9	FW-3901F	Y	HOSE DISCONNECT, FEMALE HALF	2	8671 -
10	FW-3801M	Y	HOSE DISCONNECT, MALE HALF	2	8671 -
11	7A-72790	Y	TANK, LPG FUEL	2	8671 -
12	46-05230	Y	BRACKET, FUEL TANK MOUNTING	1	8671 -
	HF-06311	Y	SCREW, SS, FLAT HD SOCKET CAP, 1/4-20X1	8	8671 -
	HF-06510	Y	NUT, HEX LOCK, SS, 1/4-20	8	8671 -
	HF-06860	Y	WASHER, FLAT, 1/4, S.S.	8	8671 -
	HD-08862	Y	NYLON FLAT WASHER, 5/16" ID	8	8671 -
	8P-05000	Y	RUBBER PAD, NEOPRENE	1	8671 -
	7B-0535A	Y	WEAR STRIP, LPG TANK BRACKET	4	8671 -
	2H-0500A	Y	TRIM STRIP, BLACK PLASTIC	1	8671 -
13	HA-06018	Y	SCREW, 1/4-20 X 2-1/2	1	8671 -
14	HA-06981	Y	LOCKNUT, 1/4-20	1	8671 -
15	1M-0510B	Y	STRAP	1	8671 -
16	1M-0510A	Y	STRAP WITH BUCKLE	1	8671 -

GROUP 1.040 ENGINE FUEL SYSTEM - GAS



GROUP 1.040 ENGINE FUEL SYSTEM - GAS

IND	PART NO	COMMON to 500	DESCRIPTION	QTY	SERIAL NO
1	P6-2545A	N	HOSE, FUEL, RETURN, 1/4"	1	8671 -
2	P6-3545A	N	HOSE, FUEL, SUPPLY, 5/16"	1	8671 -
3	3F-54500	N	PUMP, FUEL, ELECTRIC	1	8671 -
4	3R-54510	N	FILTER, FUEL, INLINE	1	8671 -
5	3F-80545	N	REGULATOR ASSEMBLY, FUEL	1	8671 -
6	75-1545L	N	ENGINE HARNESS	1	8671 -
	75-1545P	N	WIRE HARNESS, PIGTAIL	1	8671 -
7	3H-5450G	N	ELECTRONIC CONTROL UNIT(ECU), GAS	1	8671 -
8	3F-0530A	N	THROTTLE BODY ASSEMBLY	1	8671 -
N/S	3F-05450	N	FUEL INJECTOR ASSEMBLY	4	8671 -
N/S	3F-0545A	N	CLIP, FUEL INJECTOR ASSEMBLY	4	8671 -
9	7A-15240	N	TANK, GAS	1	8671 -
	HF-08011	Y	SCREW, HEX HEAD, 5/16-18 x 1", S.S.	4	8671 -
	HF-08861	Y	SS FLAT WASHER, SAE PATTERN 5/16	8	8671 -
	HF-08862	Y	LOCKWASHER, SPLIT, 5/16" STAINLESS STEEL	4	8671 -
	HF-08903	Y	SS HEX NUT, 5/16-18	4	8671 -
10	7D-19000	N	CAP, GAS TANK, TETHERED	1	8671 -
11	1V-05530	Y	HEAT SHIELD, GAS TANK	1	8671 -
12	3F-40051	Y	SENDING UNIT, FUEL LEVEL	1	8671 -

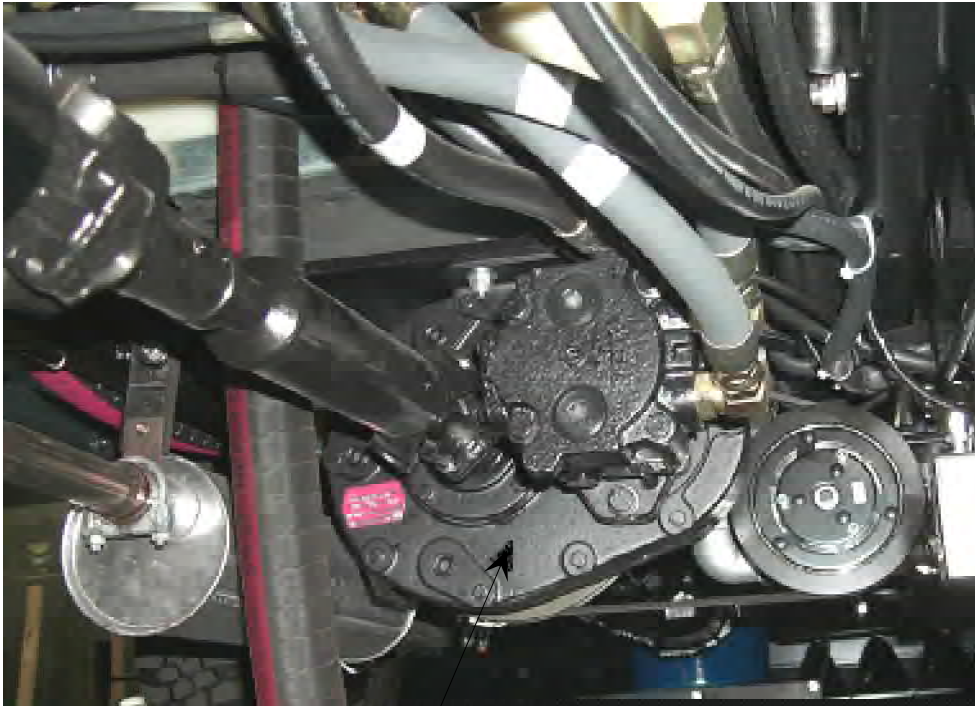
GROUP 1.050 POWER TRAIN



GROUP 1.050 POWER TRAIN

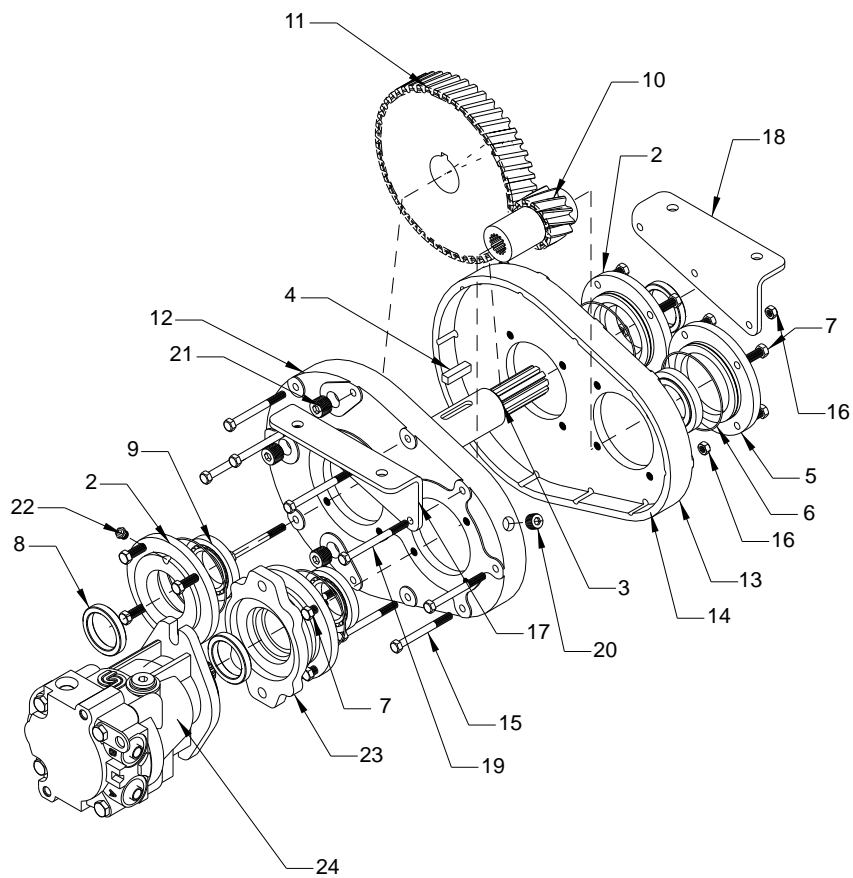
IND	PART NO	COMMON to 500	DESCRIPTION	QTY	SERIAL NO
1	2J-0545A	N	FLYWHEEL HOUSING	1	8671 -
	2E-0045B	Y	O-RING	1	8671 -
	3B-1800A	N	DRIVE PLATE	1	8671 -
2	2P-05860	Y	HYDROSTATIC PUMP	1	8671 -
3	2P-06500	N	ACCESSORY HYDRAULIC PUMP	1	8671 -

GROUP 1.060 TRANSFER CASE



1

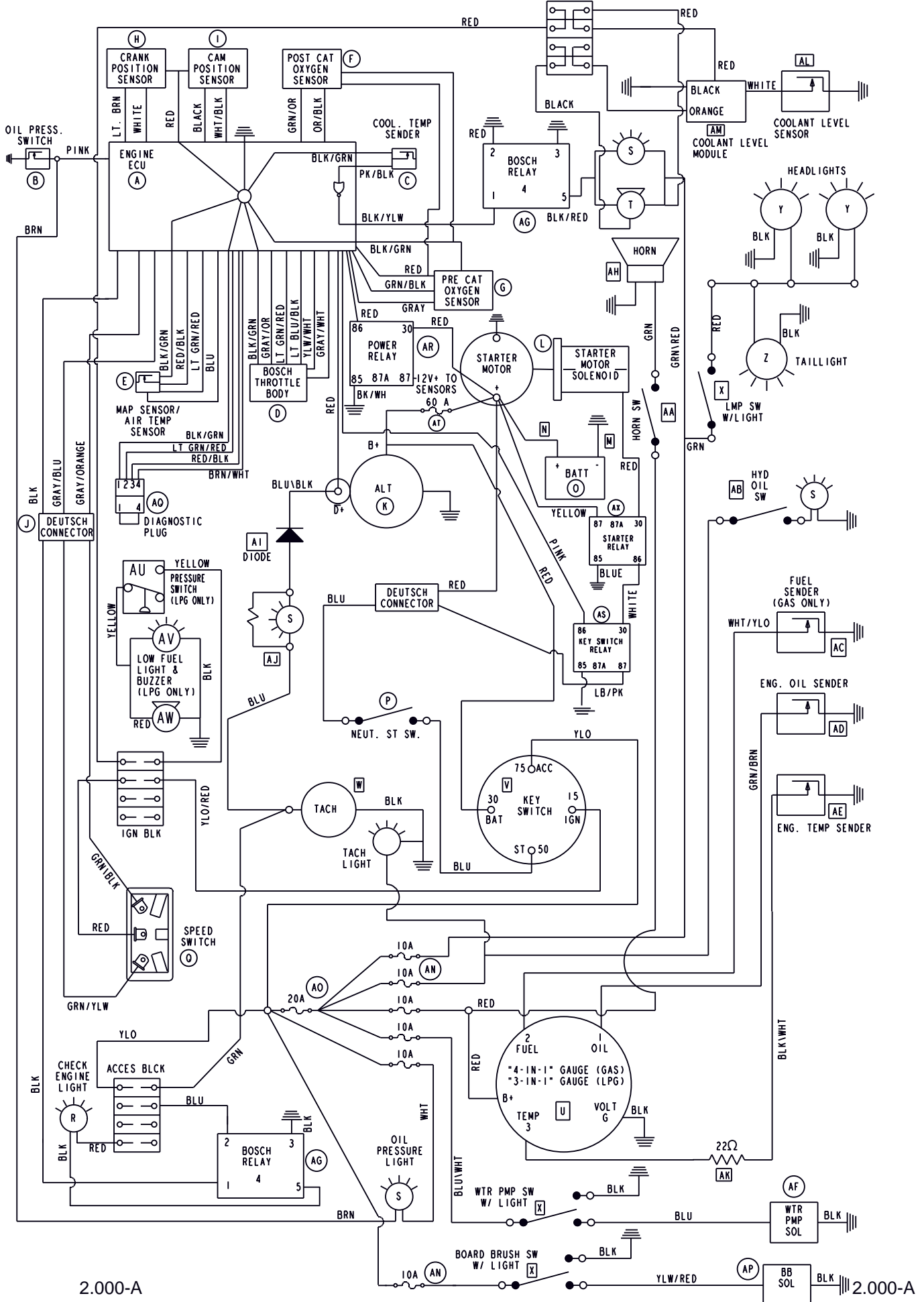
PARTS BREAKDOWN



GROUP 1.060 TRANSFER CASE

IND	PART NO	COMMON to 500	DESCRIPTION	QTY	SERIAL NO
1	2J-05890	Y	GEAR BOX, 4-1, B2 FLG. W/SPLINE LUBE DUCTING	1	8671 -
2	2J-7513C	Y	CAP, OPEN END	1	8671 -
3	2J-7513D		SHAFT, OUTPUT	1	8671 -
N/S	2J-7513H	Y	SPACER, OUTPUT SHAFT (ALSO INCL IN KZ-75130)	2	8671 -
4	15-54114	Y	KEY, OUTPUT SHAFT	1	8671 -
5		Y	CAP, CLOSED END, NOT SERVICED	1	8671 -
6	2E-0044B	Y	O-RING SEALS, CAPS	4	8671 -
7	HA-10011	Y	SCREW, HEX HEAD, 3/8-16 X 1	12	8671 -
8	2F-93200	Y	OIL SEAL (ALSO INCL IN KZ-75130)	3	8671 -
9	BO-5186W	Y	BEARING SET, CUP & CONE	4	8671 -
10		Y	GEAR, INPUT, NOT SERVICED	1	8671 -
11		Y	GEAR, OUTPUT, NOT SERVICED	1	8671 -
12		Y	HOUSING HALF, MOTOR SIDE, NOT SERVICED	1	8671 -
13		Y	HOUSING HALF, CLOSED SIDE, NOT SERVICED	1	8671 -
14	2J-7513A	Y	GASKET, CASE, USE 2J-7513J & 2J-7513K	1	8671 -
15	HA-08021	Y	SCREW, HEX CAP, 5/16-18 X 3/4	7	8671 -
16	HA-08981	Y	LOCKNUT, HEX, 5/16-18	10	8671 -
17		Y	MOUNTING BRKT., MOTOR SIDE, NOT SERVICED	1	8671 -
18		Y	MOUNTING BRKT., CLOSED SIDE, NOT SERVICED	1	8671 -
19	HA-08023	Y	SCREW, HEX HD, 5/16-18 X 3-3/4	3	8671 -
20	FL-1812B	Y	PLUG, 3/8 NPT	1	8671 -
21	FL-18160	Y	PLUG, 1/2 NPT	3	8671 -
22	3R-06000	Y	VENT PLUG. 1/8 NPT	1	8671 -
23	2J-0589H	Y	FLANGE, B2 WITH LUBE DUCT	1	8671 -
24	2M-06020	N	MOTOR, HYDROSTATIC SUNDSTRAND, SERIES 44	1	8671 -
	KZ-75130	Y	KIT, INCLUDES ITEMS 8,14, & N/S ALSO INCLUDES DK-75130, INSTRUCTIONS FOR SETTING BEARING END PLAY	1	8671 -
N/S	2J-7513J	Y	GASKET/SHIM, END CAP (ALSO INCL IN KZ-75130)	AR	8671 -
	2J-7513K	Y	GASKET/SHIM, END CAP (ALSO INCL IN KZ-75130)	AR	8671 -
N/S	2D-05110		GASKET, TRANSFER CASE TO HYDROSTATIC MOTOR	1	8671 -

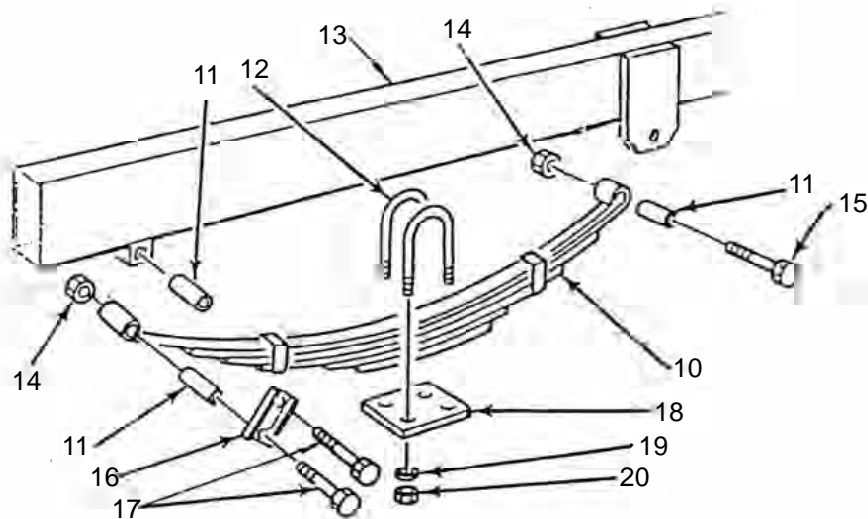
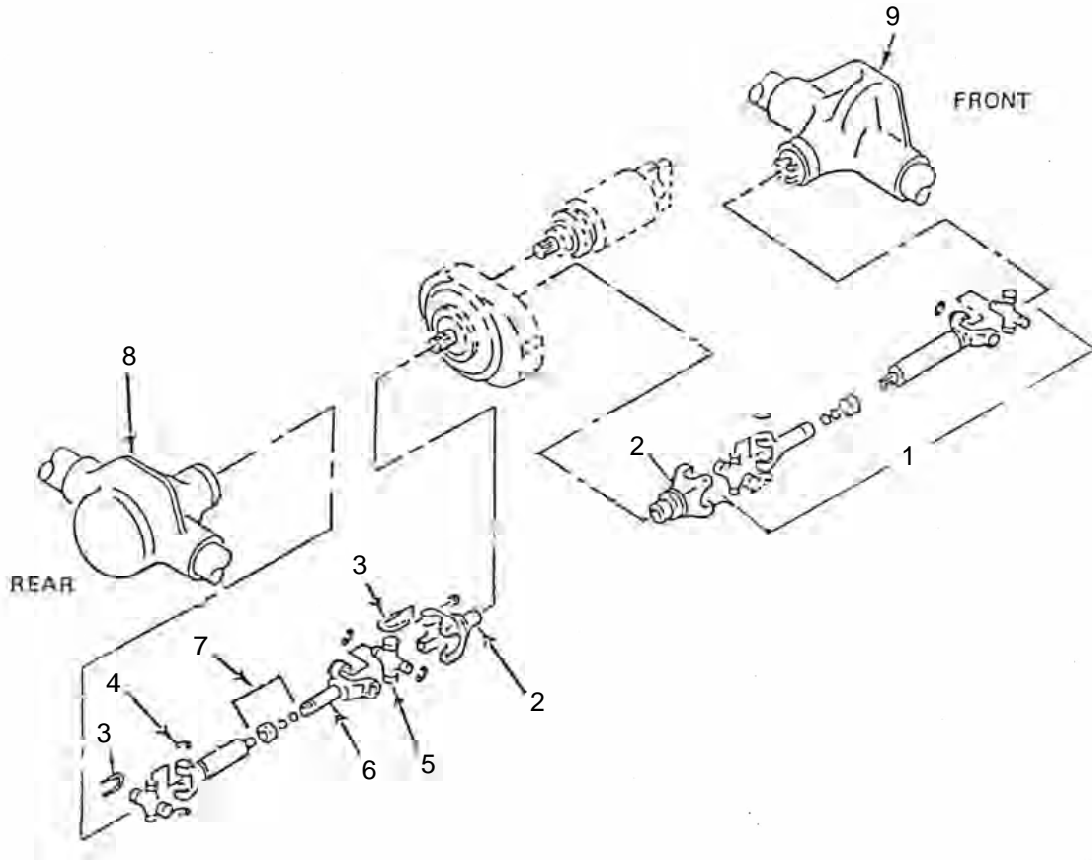
GROUP 2.000 ELECTRICAL SYSTEM



GROUP 2.000 ELECTRICAL SYSTEM

IND	PART NO	COMMON		DESCRIPTION	QTY	SERIAL NO
			to 500			
A	3H-5450L	N		ECU, ENGINE, LPG	1	8671 -
	3H-5450G	N		ECU, ENGINE, GAS	1	8671 -
B	3L-5450P	N		SWITCH, OIL PRESSURE	1	8671 -
C	3H-5450C	N		SENSOR, COOLANT TEMPERATURE	1	8671 -
D	75-0545N	N		CONNECTOR, THROTTLE BODY	1	8671 -
E	3H-5450D	N		SENSOR, MAP	1	8671 -
F	3H-5450B	N		OXYGEN SENSOR, POST CAT	1	8671 -
G	3H-5450B	N		OXYGEN SENSOR, PRE CAT	1	8671 -
H	3H-5450E	N		SENSOR, CRANK POSITION	1	8671 -
I	3H-5450F	N		SENSOR, CAMSHAFT POSITION	1	8671 -
J	75-06145	N		CONNECTOR, DEUTSCH, 12 PIN, PLUG	1	8671 -
	75-06143	N		CONNECTOR, DEUTSCH, 12 PIN, RECEPTACLE	1	8671 -
	75-06144	N		LOCKING WEDGE, DEUTSCH, PIN, RECEPTACLE	1	8671 -
	75-06142	N		LOCKING WEDGE, DEUTSCH, SOCKET, PLUG	1	8671 -
	75-06123	N		CONTACTS, DEUTSCH, PIN,	8	8671 -
	75-06113	N		CONTACTS, DEUTSCH, SOCKET	8	8671 -
	75-06124	N		SEALING PLUG, DEUTSCH	8	8671 -
K	3E-1545A	N		ALTERNATOR	1	8671 -
L	3E-54500	N		STARTER MOTOR ASSY.	1	8671 -
M	75-76551	Y		CABLE, BATTERY, 28 INCH(NEG.)	1	8671 -
N	75-76555	N		CABLE, BATTERY, 35 INCH(POS.)	1	8671 -
O	77-75230	Y		BATTERY, 12 V	1	8671 -
P	7P-7962A	Y		SWITCH ASSY., NEUTRAL START	1	8671 -
Q	7P-77365	Y		SWITCH, RPM SPEED	1	8671 -
R	7L-1525A	N		LIGHT ASSY., CHECK ENGINE LIGHT	1	8671 -
N/S	7L-1525C	N		LAMP ASSY, GREEN LED, GREEN MEANS GO	1	8671 -
S	7L-78460	Y		LIGHT ASSY., INDICATOR LIGHT	4	8671 -
	7L-78462	Y		BULB, INDICATOR LIGHT	4	8671 -
T	7X-0500A	Y		BUZZER ALARM, ENGINE TEMPERATURE	1	8671 -
U	7K-50030	N		GAUGE, 3-IN-1, (OIL, WATER TEMP, VOLTS), LPG	1	8671 -
	7K-50040	N		GAUGE, 4-IN-1, (OIL, WATER TEMP, VOLTS), GAS	1	8671 -
V	7P-04400	Y		SWITCH, KEY	1	8671 -
W	7K-7729A	Y		TACH-HOUR METER, LCD, SS BEZEL	1	8671 -
X	7P-77262	Y		SWITCH, UNIVERSAL	3	8671 -
Y	KZ-17980	N		KIT, RETROFIT, HEADLIGHT, PLASTIC HOUSING	1	8671 - 9285
	7L-17982	N		HEADLIGHT, PLASTIC HOUSING, RETROFIT	2	8671 - 9285
	7L-17981	N		HEADLIGHT, PLASTIC HOUSING	2	9286 -
	7L-17990	N		BULB	2	9286 -
Z	7L-17780	Y		TAIL LAMP	1	8671 -
AA	7P-76369	Y		SWITCH, HORN	1	8671 -
AB	3R-06523	Y		SWITCH, HYDRAULIC OIL FILTER	1	8671 -
AC	3F-4005A	Y		SENDER, FUEL	1	8671 -
AD	7K-50060	N		SENDER, ENGINE OIL PRESSURE	1	8671 -
AE	7K-9001D	N		SENDER, ENGINE TEMPERATURE	1	8671 -
AF	2P-37571	Y		WATER PUMP SOLENOID	1	8671 -
AG	3E-18525	N		RELAY, BOSCH, ENGINE TEMPERATURE	2	8671 -
AH	7X-10420	Y		HORN, VEHICLE WARNING	1	8671 -
AI	3E-0262D	Y		DIODE, ALTERNATOR	1	8671 -
AJ	7L-1001A	Y		RESISTOR, ALT. LAMP SHUNT	1	8671 -
	75-19545	N		WIRE HARNESS, MAIN LOOM	1	8671 -
	75-1545L	N		WIRE HARNESS, ENGINE LOOM	1	8671 -
	75-1545P	N		WIRE HARNESS, PIGTAIL	1	8671 -
	75-1826E	Y		WIRE HARNESS, INSTRUMENT PANEL	1	8671 -
AK	3E-54000	N		RESISTOR, TEMP GAUGE	1	8671 -
AL	3H-0560L	N		SENSOR, COOLANT LEVEL	1	8671 -
AM	3H-0560M	N		MODULE, COOLANT LEVEL DETECTOR	1	8671 -
AN	78-77530	Y		CIRCUIT BREAKER, 10 AMP	11	8671 -
AO	78-77520	Y		CIRCUIT BREAKER, 20 AMP	1	8671 -
AP	2V-9029C	Y		COIL, SOLENOID VALVE, BOARD BRUSH MANIFOLD	1	8671 -
AQ	75-18541	N		PLUG, ECU GROUND JUMPER	1	8671 -
AR	3E-57570	N		RELAY, POWER	1	8671 -
AS	3E-54580	N		RELAY, KEY SWITCH	1	8671 -
AT	78-54560	N		60A ALTERNATOR POWER FUSE	1	8671 -
AU	7P-0043C	N		SWITCH, PRESSURE, LPG LOW FUEL	1	9337 -
AV	7P-77267	N		LIGHT, LPG LOW-FUEL	1	9337 -
AW	7X-05400	N		ALARM, LPG LOW-FUEL	1	9337 -
AX	3E-42100	N		RELAY, STARTER	1	9339 -
N/S	3E-54570	N		FUEL PUMP RELAY	1	8671 -
N/S	78-54505	N		5A FUSE (AUTOMOTIVE STYLE)	1	8671 -
N/S	78-54510	N		10A FUSE (AUTOMOTIVE STYLE)	1	8671 -
N/S	78-54515	N		15A FUSE (AUTOMOTIVE STYLE)	2	8671 -
N/S	78-54520	N		20A FUSE (AUTOMOTIVE STYLE)	1	8671 -

GROUP 3.010 AXLES, DRIVE SHAFTS, WHEELS, TIRES, SUSPENSION



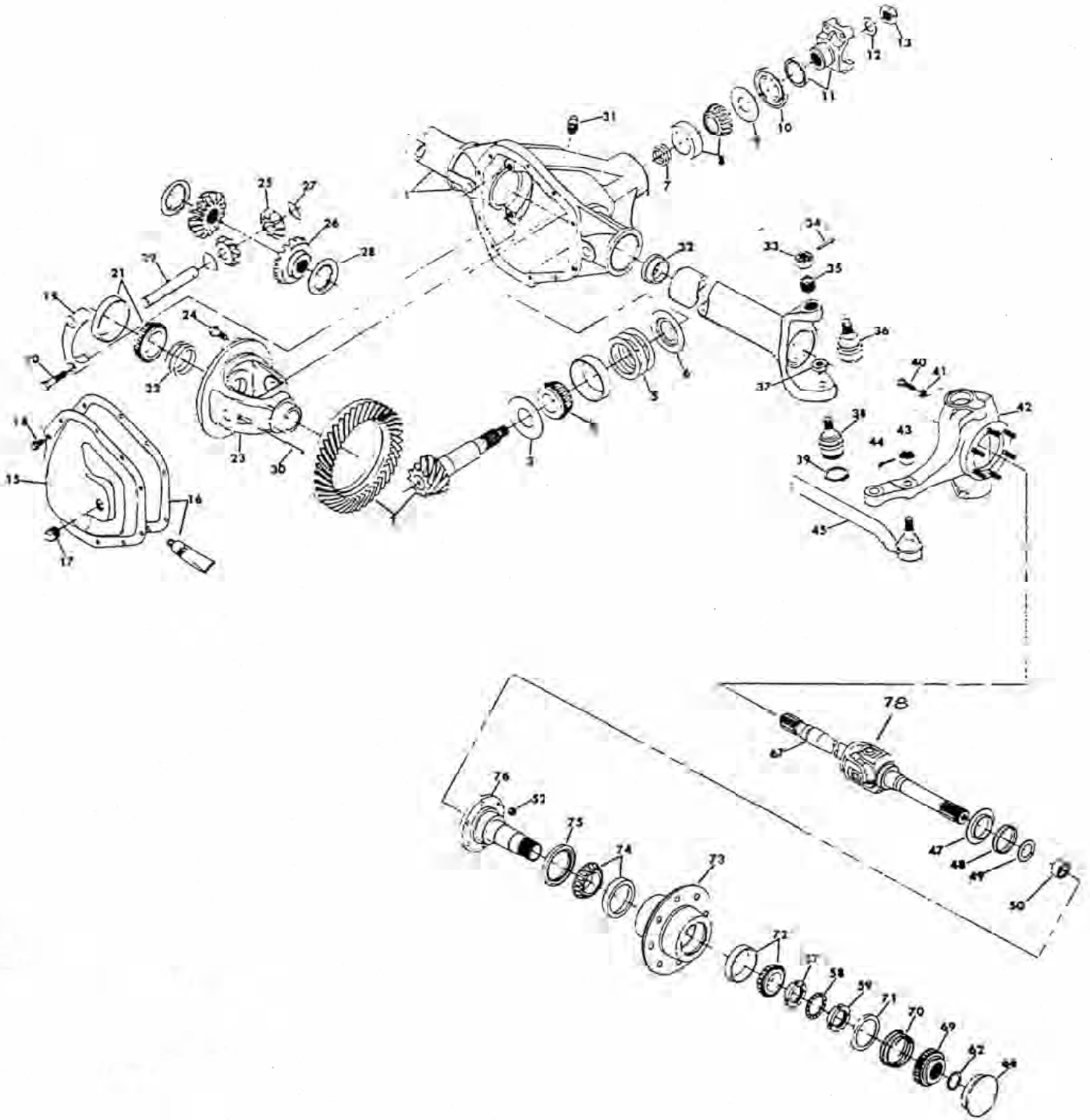
GROUP 3.010 AXLES, DRIVE SHAFTS, WHEELS, TIRES, SUSPENSION

IND	PART NO	COMMON to 500	DESCRIPTION	QTY	SERIAL NO
1	1H-16200	Y	DRIVE SHAFT	2	8671 -
2	1H-74670	Y	END YOKE, DRIVE SHAFT	2	8671 -
	HD-12862	Y	FLAT WASHER, SPECIAL 7/16	2	8671 -
	HA-12862	Y	LOCKWASHER, 7/16	2	8671 -
	HA-12014	Y	SCREW, HEX HEAD, 7/16-14 X 1 1½	2	8671 -
3	1L-73040	Y	U-BOLT, NUT & WASHER	8	8671 -
	1H-74695	Y	STRAP ASSEMBLY(OONLY FOR 60 REAR AXLE)	2	8671 -
4	1F-73060	Y	SNAP-RING	8	8671 -
5	1F-73050	Y	CROSS BEARING W/DUST CAP	4	8671 -
6	1F-72950	Y	SLIP TUBE YOKE	2	8671 -
7	1F-72970	Y	DUST CAP ASSY.	2	8671 -
8	1D-72922	Y	REAR AXLE ASSY., INCL HUBS, DRUMS, BRAKE ASSY.	1	8671 - 9450
	1E-16660	N	REAR AXLE, IN HUBS, WITH BRAKE CABLES	1	9451 -
	FD-04210	Y	STREET ELBOW, REAR AXLE	1	8671 -
9	1D-16681	Y	FRONT AXLE ASSY., INCL. HUBS	1	8671 -
	FD-04210	Y	STREET ELBOW, FRONT AXLE	1	8671 -
	1A-2600C	Y	ASSY., WHEEL & TIRE, CHROME	4	8671 -
	1B-2600C	Y	WHEEL, CHROME	4	8671 -
	1B-51722	Y	TIRE WITH TRACTION STUDS	4	8671 -
	1B-10000	Y	STUD, TRACTION (APPRX. 86 PCS. PER TIRE)	AR	8671 -
	HD-1600C	Y	NUT, LUG, STEEL CHROME	32	8671 -
	1F-1668A	Y	ASSY., STEERING KNUCKLE, LEFT SIDE	1	8671 -
	1F-1668B	Y	ASSY., STEERING KNUCKLE, RIGHT SIDE	1	8671 -
10	1L-75100	Y	LEAF SPRING ASSY.	2	8671 -
11	10-40500	Y	BUSHING, SPRING SHACKLE	6	8671 -
12	1K-73360	Y	U-BOLT	4	8671 -
13	1V-52500	N	CHASSIS	1	8671 -
14	HA-13981	Y	LOCKNUT, HEX, 7/16-20	6	8671 -
15	HA-13021	Y	SCREW, HEX HEAD, 7/16-20 X 3¼	2	8671 -
16	1M-40510	Y	STRAP, SPRING, SHACKLE	4	8671 -
17	HA-13020	Y	SCREW, HEX HEAD, 7/16-20 X 3	4	8671 -
18	1P-73340	Y	PLATE, U-BOLT	2	8671 -
19	HA-14862	Y	LOCKWASHER, ½	8	8671 -
20	HD-15981	Y	NUT, SPECIAL HEX, ½-20	8	8671 -
N/S	1K-16470	Y	U-BOLT, FRONT AXLE	4	8671 -
	HA-14862	Y	LOCKWASHER, ½	8	8671 -
	HD-15981	Y	NUT, SPECIAL HEX, ½-20	8	8671 -

AXLE OIL CAPACITY - use 90W gear oil

Front axle 6.1 U. S. pints/2.7L
Rear axle 9.1 U. S. pints/4.3L

GROUP 3.020 FRONT AXLE



Group 3.020 FRONT AXLE

IND	PART NO	COMMON to 500	DESCRIPTION	QTY	SERIAL NO
	1D-16680	Y	AXLE, ASS'Y, FRONT, INCL. HUBS (044BA103-1)		8671 -
1	**	Y	HOUSING-AXLE		8671 -
2	*	Y	GEAR & PINION ASS'Y-DRIVE		8671 -
3	*	Y	SLINGER PINION BEARING INNER		8671 -
4	BO-5315V	Y	KIT-INNER PINION BEARING	1	8671 -
5	*	Y	SHIM-DRIVE PINION ADJUSTING		8671 -
6	*	Y	BAFFLE-PINION BEARING		8671 -
7	*	Y	SHIM-PINION BEARING ADJUSTING		8671 -
8	BO-5028V	Y	KIT-OUTER PINION BEARING	1	8671 -
9	*	Y	SLINGER-PINION BEARING OUTER		8671 -
10	2F-3250A	Y	SEAL-PINION	1	8671 -
11	1F-95510	Y	END YOKE ASSEMBLY	1	8671 -
12	HA-22861	Y	WASHER-PINION NUT	1	8671 -
13	HA-23981	Y	NUT-PINION	1	8671 -
15	*	Y	COVER-CARRIER W/PLUG		8671 -
16	1F-94660	Y	GASKET-CARRIER COVER	1	8671 -
17	FL-18210	Y	PLUG-COVER	1	8671 -
18	1F-95549	Y	BOLT-CARRIER COVER	10	8671 -
19	**	Y	CAP-DIFFERENTIAL BEARING		8671 -
20	1F-72919	Y	BOLT-DIFFERENTIAL BEARING CAP	4	8671 -
21	BO-5255V	Y	KIT-DIFFERENTIAL BEARING	1	8671 -
22	*	Y	SHIM-DIFFERENTIAL BEARING		8671 -
23	*	Y	CASE-DIFFERENTIAL		8671 -
24	1F-72918	Y	BOLT-DRIVE GEAR	10	8671 -
25	*	Y	PINION-DIFFERENTIAL		8671 -
26	*	Y	GEAR-DIFFERENTIAL		8671 -
27	*	Y	THRUST WASHER-DIFFERENTIAL PINION		8671 -
28	*	Y	THRUST WASHER-DIFFERENTIAL GEAR		8671 -
29	*	Y	SHAFT-DIFFERENTIAL		8671 -
30	15-81620	Y	LOCK-DIFFERENTIAL SHAFT	1	8671 -
31	1F-72916	Y	PLUG-VENT	1	8671 -
32	2F-93460	Y	SEAL & GUIDE-TUBE	2	8671 -
33	*	Y	NUT-HEX. SLOTTED	2	8671 -
34	HA-52712	Y	PIN-COTTER	2	8671 -
35	1F-94470	Y	RING-ADJUSTING SPLIT	2	8671 -
36	SEE KIT H	Y	SOCKET ASS'Y-UPPER		8671 -
37	HA-23988	Y	NUT-HEX. JAM	2	8671 -
38	SEE KIT H	Y	SOCKET ASS'Y-LOWER		8671 -
39	HA-7112A	Y	RING-SNAP	2	8671 -
40	1F-72917	Y	SCREW-STOP	2	8671 -
41	HA-11982	Y	NUT-JAM	2	8671 -
42	SEE KIT F&G	Y	KNUCKLE ASS'Y		8671 -
43	HA-17985	Y	NUT-HEX. SLOTTED	2	8671 -
44	HA-57211	Y	PIN-COTTER	2	8671 -
45	4D-18970	Y	TIE ROD ASS'Y	1	8671 -
47	INCL W/#67	Y	SLINGER-SPINDLE YOKE		8671 -
48	2F-95310	Y	SEAL-OIL, SPINDLE		8671 -
49	1F-95460	Y	SPACER-WHEEL BEARING SPINDLE		8671 -
50	1X-92080	Y	BEARING ASS'Y-NEEDLE		8671 -
52	HA-11981	Y	NUT-BRAKE MOUNTING	6	8671 -
57	1F-95440	Y	NUT & PIN ASS'Y-INNER LOCK	2	8671 -

Group 3.020 FRONT AXLE

IND	PART NO	COMMON to 500	DESCRIPTION	QTY	SERIAL NO
58	1F-95450	Y	LOCK-RETAINING NUT	2	8671 -
59	1F-95390	Y	NUT-WHEEL BEARING ADJUSTING	2	8671 -
62	HA-7080A	Y	RING SNAP	2	8671 -
67LT	1F-95280	Y	SHAFT & JOINT ASSY.	1	8671 -
67RT	1F-95270	Y	SHAFT & JOINT ASSY.	1	8671 -
68	1F-95400	Y	DUST COVER	2	8671 -
69	1F-95410	Y	GEAR-AXLE DRIVE	2	8671 -
70	1F-95420	Y	SPRING-PRESSURE	2	8671 -
71	1F-95430	Y	PLATE-SPRING RETAINING	2	8671 -
72	BL-6501A	Y	OUTER WHEEL BEARING, CONE	2	8671 -
	BL-6501M	Y	OUTER WHEEL BEARING, CUP	2	8671 -
73	1F-95330	Y	HUB-WHEEL	2	8671 -
74	BL-6104A	Y	INNER WHEEL BEARING, CONE	2	8671 -
	BJ-6104M	Y	INNER WHEEL BEARING, CUP	2	8671 -
75	2F-95380	Y	SEAL-OIL	2	8671 -
76	SEE KIT D	Y	SPINDLE-WHEEL BEARING	2	8671 -
77	HD-15306	Y	STUD, WHEEL, ½-20, R. H.	16	8671 -
78	1F-95263	Y	CROSS, SHAFT & JOINT ASSY.	2	8671 -

* PART NOT SERVICED INDIVIDUALLY

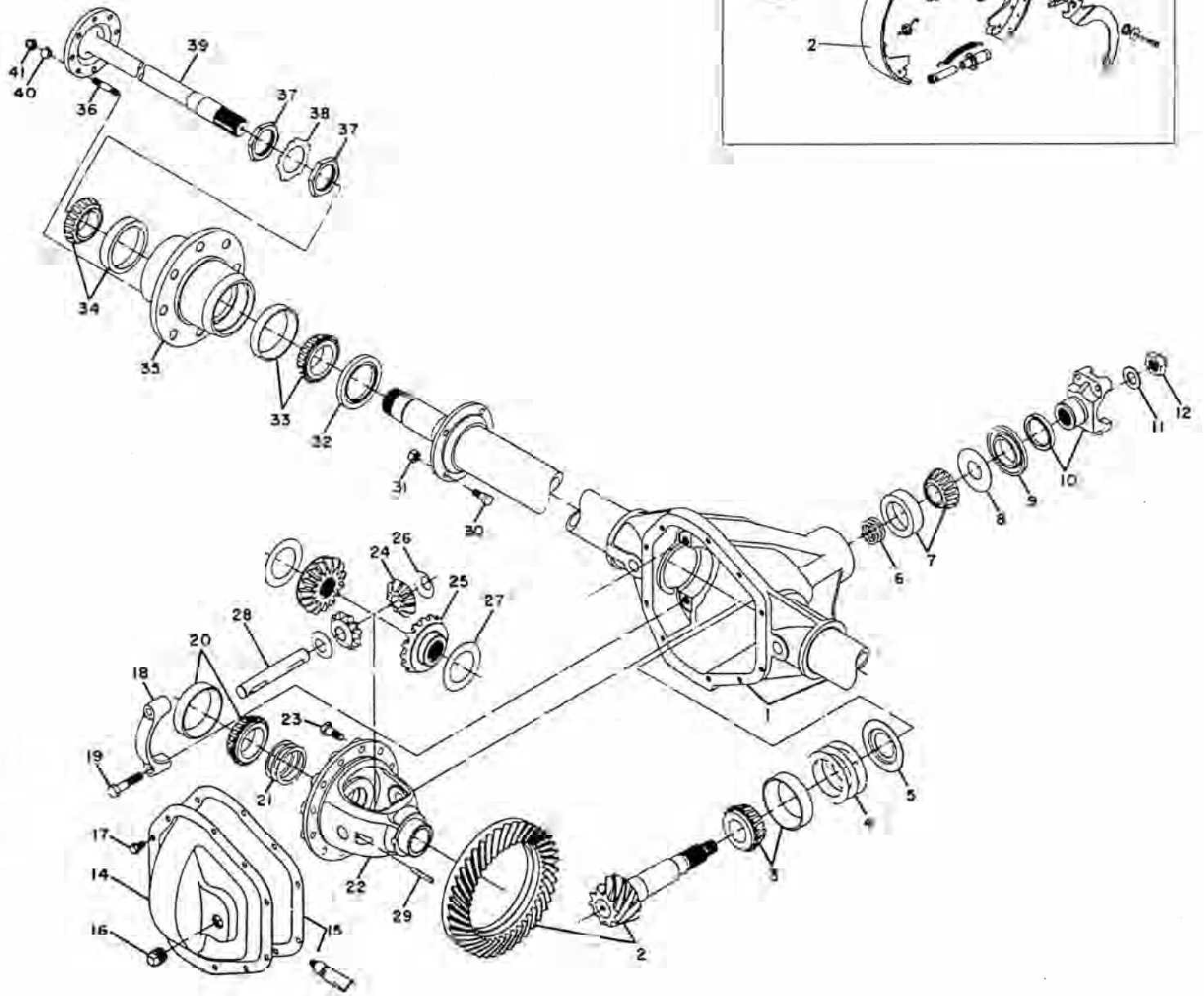
** CONSULT ZAMBONI FACTORY

LEFT SIDE INDICATES DRIVER'S SIDE OF THE RESURFACER FOR BOTH FRONT AND REAR AXLES.

KIT A	1F-95060	DRIVE GEAR AND PINION ASSEMBLY (Includes Items 2,3,4,5,6,7,8,9,10,12,13,16,22,24)	1	8671 -
KIT B	1F-94970	DIFFERENTIAL CASE ASSEMBLY (Includes Items 16,21,22,23,24,25,26,27,28,29,30)	1	8671 -
KIT C	1F-95590	DIFFERENTIAL PARTS (Includes Items 16,18,24,25,26,27,28,29,30)	1	8671 -
KIT D	1F-95300	WHEEL BEARING SPINDLE (Includes Items 48,49,50,76) ***		8671 -
KIT F	1F-1668B	STEERING KNUCKLE - R. H. (Includes Items 33,34,35,36,37,38,39,42)	1	8671 -
KIT G	1F-1668A	STEERING KNUCKLE - L.H. (Includes Items 33,34,35,36,37,38,39,42)	1	8671 -
KIT H	1F-93610	SOCKET ASSEMBLY (Includes Items 33,34,35,36,37,38,39) ***		8671 -

*** ONE KIT REQUIRED PER SIDE

GROUP 3.030 REAR AXLE



GROUP 3.030 REAR AXLE

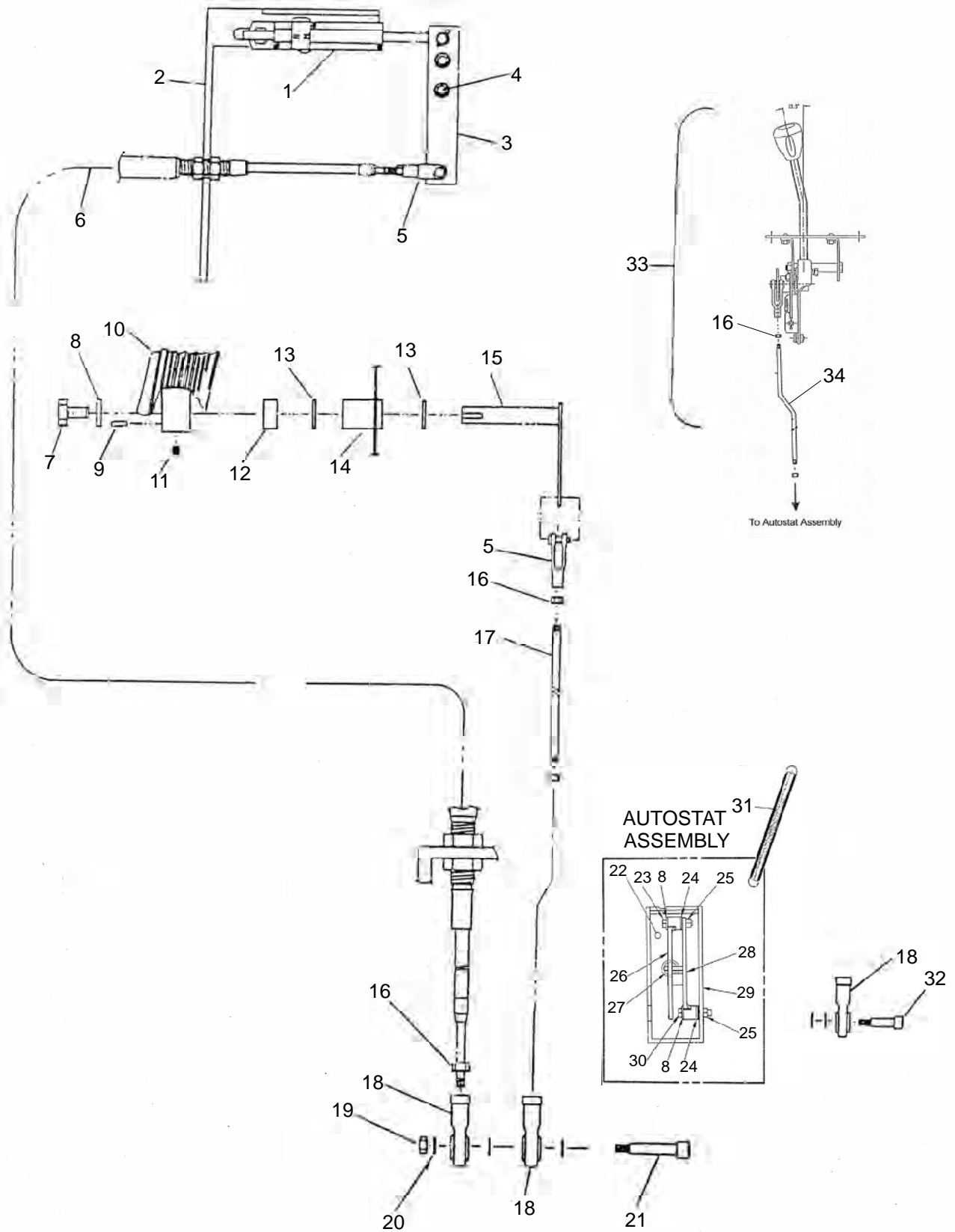
IND	PART NO	COMMON to 500	DESCRIPTION	QTY	SERIAL NO
1	1D-72922	Y	AXLE ASSY. W/HUB, DRUM & BRAKE	1	8671 - 9450
	1E-16660	N	AXLE ASSY, REAR, W/ BRAKE CABLES	1	9451 -
2	9493	Y	RING & PINION	1	8671 -
3	BH-6803A	Y	INNER PINION BEARING, CONE	1	8671 -
	BH-6803M	Y	INNER PINION BEARING, CUP	1	8671 -
4	9480	Y	SHIM SET	1	8671 -
5	1F-7292C	Y	BAFFLE	1	8671 -
6	1F-7292A	Y	SHIM SET	1	8671 -
7	BH-5885A	Y	OUTER PINION BEARING, CONE	1	8671 -
	BH-5885M	Y	OUTER PINION BEARING, CUP	1	8671 -
8	1F-7292B	Y	SLINGER	1	8671 -
9	2F-3051A	Y	PINION SEAL	1	8671 -
10	9552	Y	END YOKE ASSEMBLY	1	8671 -
11	NPN	Y	WASHER	1	8671 -
12	HA-27988	Y	NUT	1	8671 -
14	9548	Y	COVER	1	8671 -
15	9547	Y	GASKET DIFFERENTIAL COVER	1	8671 -
16	NPN	Y	DRAIN PLUG	1	8671 -
17	NPN	Y	CARRIER COVER BOLT	10	8671 -
18-29	9492	Y	CARRIER ASSEMBLY	1	8671 -
23-29	9557	Y	SPIDER GEARS	1	8671 -
20	B0-3387A	Y	BEARINGS FOR CASE, CONE	1	8671 -
	B0-3382M	Y	BEARINGS FOR CASE, CUP	1	8671 -
21	9479	Y	CARRIER SHIM KIT	1	8671 -
30	NPN	Y	BOLT	4	8671 -
31	NPN	Y	NUT	4	8671 -
32	2F-4258A	Y	SEAL	1	8671 -
33	BO-3370V	Y	INNER WHEEL BEARING KIT	2	8671 -
34	BO-3359V	Y	OUTER WHEEL BEARING KIT	2	8671 -
35	1F-00200	Y	HUB & DRUM ASSEMBLY	1	8671 -
36	1F-6001A	Y	STUD	16	8671 -
37	9442	Y	NUT BEARING ADJUSTMENT	4	8671 -
38	9445	Y	LOCKWASHER	2	8671 -
39	9342	Y	AXLE SHAFT LH & RH	2	8671 -
40	9553	Y	ADAPTER, STUD	16	8671 -
41	1F-6002A	Y	LOCKNUT	16	8671 -
N/S	9512	Y	FLANGE GASKET	2	8671 -
N/S	1F-6000B	Y	LUG STUD	16	8671 -
N/S	9492	Y	KIT, CASE FOR DIFFERENTIAL, 60 REAR	1	8671 -
N/S	9493	Y	KIT, RING & PINION, 60 REAR	1	8671 -

N/S = NOT SHOWN

BRAKE DRUM ASSEMBLY

1	1J-7292L	Y	WHEEL CYLINDER, LEFT WHEEL	1	8671 -
	1J-7292R	Y	WHEEL CYLINDER, RIGHT WHEEL	1	8671 -
2&3	1J-7292B	Y	BRAKE SHOE SET	1	8671 -
	1J-0552A	Y	BRAKE DRUM ASSEMBLY, LH	1	8671 -
	1J-0552B	Y	BRAKE DRUM ASSEMBLY, RH	1	8671 -
N/S	1J-05523	Y	BRAKE BLEEDER VALVE/FITTING	1	8671 -

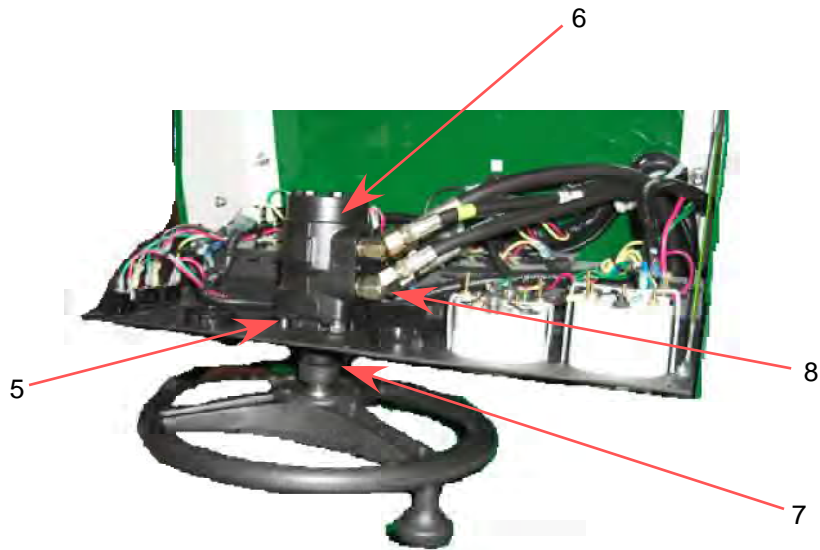
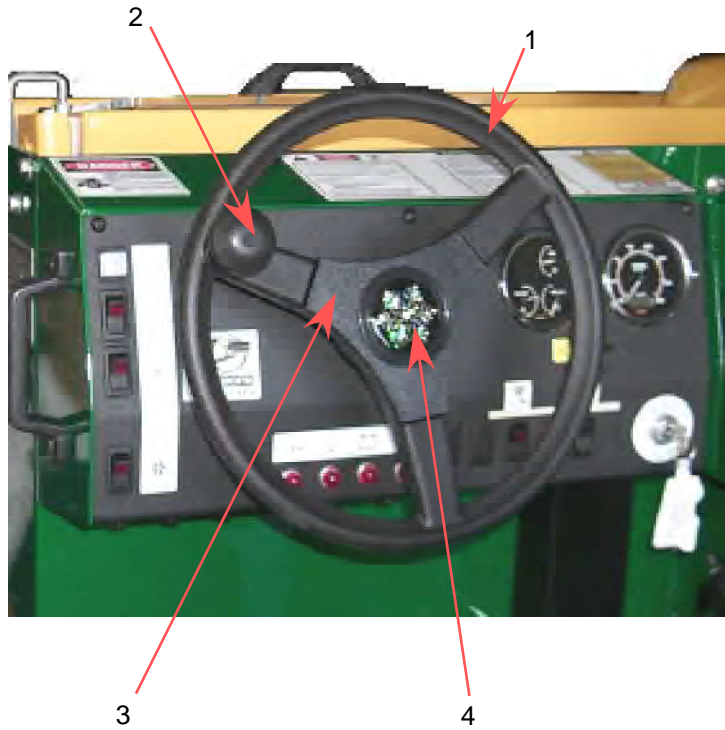
GROUP 4.010 HYDROSTAT CONTROL



GROUP 4.010 HYDROSTAT CONTROL

IND	PART NO	COMMON to 500	DESCRIPTION	QTY	SERIAL NO
1	7P-7962A	Y	SWITCH, NEUTRAL START	1	8671 -
	32-05010	Y	HARDWARE KIT, NEUTRAL START SWITCH MOUNTING	1	8671 -
2	5T-00500	Y	BRACKET, CABLE & NEUTRAL START SWITCH MOUNT	1	8671 -
3	39-07000	Y	LEVER, SWASH PLATE CONTROL	1	8671 -
4	HA-10009	Y	SCREW, HEX HEAD, 3/8-16 X 3/4	2	8671 -
	HA-10862	Y	WASHER, LOCK, 3/8	2	8671 -
	HA-10980	Y	NUT, HEX HEAD, 3/8-16	2	8671 -
5	36-0510A	Y	CLEVIS YOKE & PIN ASSY.	2	8671 -
6	33-0503C	Y	CABLE, HYDROSTATIC CONTROL	1	8671 -
7	HA-08009	Y	SCREW, HEX HEAD, 5/16-18 X 3/4	1	8671 -
8	HA-08860	Y	WASHER, FLAT, 5/16	3	8671 -
9	15-01100	Y	KEY, SQUARE, 3/16 X 1	1	8671 -
10	4M-05001	Y	FOOT PEDAL	1	8671 -
11	HD-0840F	Y	SCREW, SET, SOCKET, 5/16-18 X 3/8	1	8671 -
12	11-2424C	Y	COLLAR, CLAMPING, 3/4 X 1 1/4	1	8671 -
13	1X-05000	Y	THRUST BEARING, 3/4 X 1 1/4	2	8671 -
14	5T-0600A	Y	BRACKET, CONTROL MOUNTING	1	8671 -
15	39-06005	Y	WELDMENT, FOOT PEDAL LEVER	1	8671 -
16	HA-04980	Y	NUT, HEX HEAD, #10-32	6	8671 -
17	4E-06002	Y	FOOT CONTROL ROD	1	8671 -
18	4J-04030	Y	ROD END	3	8671 -
19	HA-02981	Y	NUT, LOCK, NYLON, #8-32	2	8671 -
20	HA-03867	Y	WASHER, FLAT, #10 SAE	5	8671 -
21	HH-00064	Y	SCREW, SHOULDER, 3/16 X 1	1	8671 -
22	32-05000	Y	AUTOSTAT ASSY. (INCLUDES ITEMS 8, 23-31)	1	8671 -
23	HA-11015	Y	SCREW, HEX HEAD, 3/8-24 X 1 3/4	1	8671 -
24	10-0520A	Y	BUSHING, FLANGED, OILITE, 7/8	1	8671 -
25	HA-11980	Y	NUT, HEX HEAD, 3/8-24	2	8671 -
26	32-0500B	Y	LEVER, LEFT ARM	1	8671 -
27	1L-0520B	Y	SPRING, EXTENSION	1	8671 -
28	32-0500A	Y	LEVER, RIGHT ARM	1	8671 -
29	32-0500C	Y	WELDMENT, FRAME	1	8671 -
30	HA-11016	Y	SCREW, HEX HEAD, 3/8-24 X 2	1	8671 -
31	1L-0520A	Y	SPRING, EXTENSION	1	8671 -
32	HH-00040	Y	SCREW, SHOULDER, 3/16 X 5/8	1	8671 -
33	32-06525	N	ASSY., SINGLE HAND LEVER CONTROL	1	8671 -
34	4E-06001	Y	SHIFT CONTROL ROD	1	8671 -

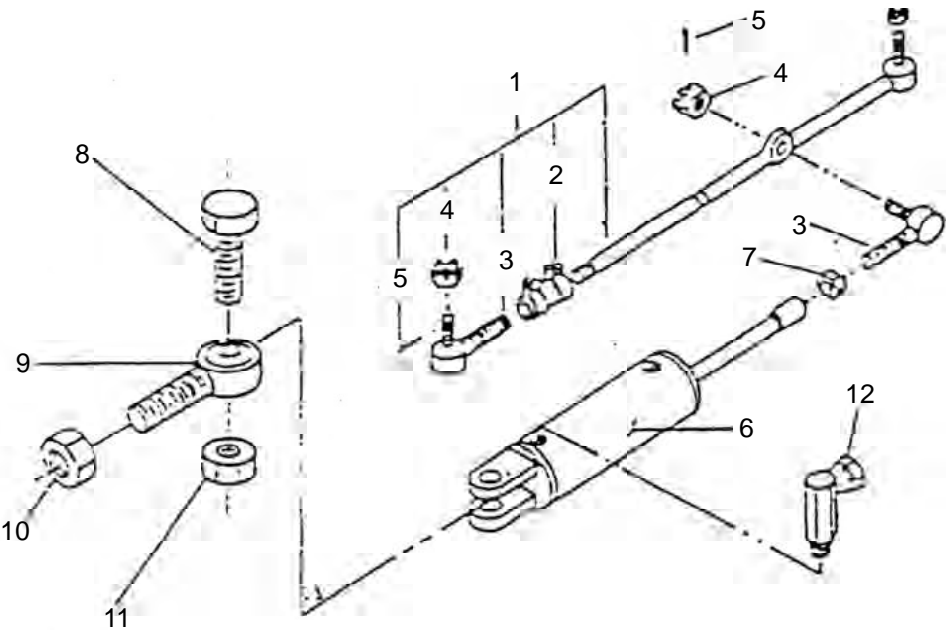
GROUP 4.020 STEERING SYSTEM



GROUP 4.020 STEERING SYSTEM

IND	PART NO	COMMON to 500	DESCRIPTION	QTY	SERIAL NO
1	4C-05205	Y	STEERING WHEEL	1	8671 -
N/S	HA-24982	Y	NUT, STEERING WHEEL	1	8671 -
2	4C-05202	Y	KNOB, STEERING WHEEL	1	8671 -
	HA-08017	Y	BOLT, 5/16-18 X 2¼	1	8671 -
	HA-08981	Y	LOCKNUT, 5/16-18	1	8671 -
3	4C-05201	Y	CAP, STEERING WHEEL	1	8671 -
4	81-79700	Y	DECAL, SNOW FLAKE	1	8671 -
5	HA-10013	Y	SCREW,HEX HD,3/8-16 X 1¼	2	8671 -
	HA-10862	Y	LOCKWASHER,3/8	2	8671 -
6	4C-05100	Y	CONTROL,POWER STEERING	1	8671 -
	4C-0510A	Y	SEAL KIT, STEERING CONTROL	1	8671 -
7	4C-79980	Y	COLUMN, STEERING CONTROL	1	8671 -
8	F1-75040	Y	ADAPTER, 45° ELBOW, 08MB X 06FS	4	8671 -

GROUP 4.020 STEERING SYSTEM



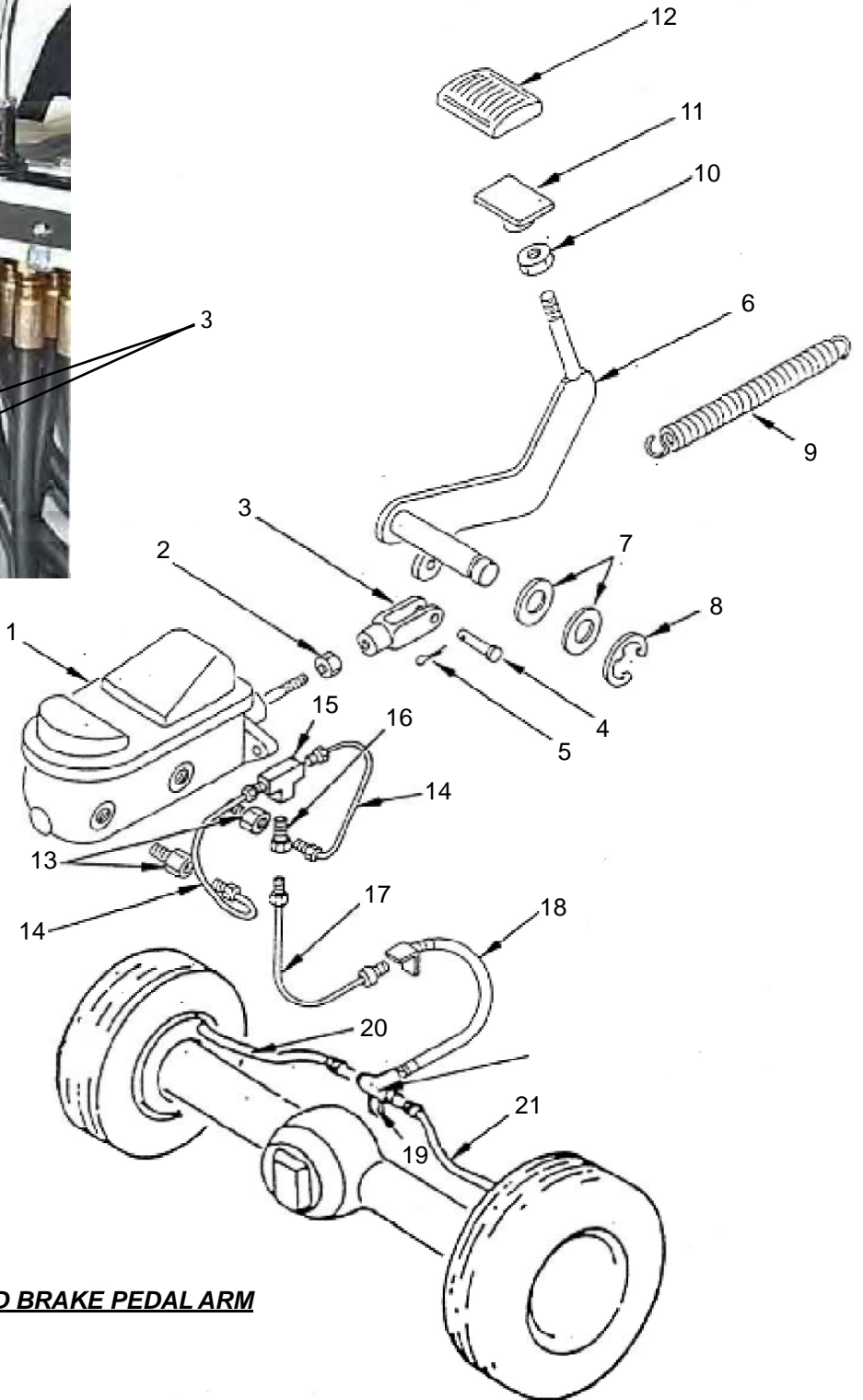
GROUP 4.020 STEERING SYSTEM

IND	PART NO	COMMON to 500	DESCRIPTION	QTY	SERIAL NO
1	4D-18971	Y	TIE ROD (INCLUDES 2,3,4,5)	1	8671 -
2	4D-01000	Y	SLEEVE & CLAMP ASSY., TIE ROD	1	8671 -
3	4J-01000	Y	ROD END, LEFT HAND THREAD	2	8671 -
4	HA-17985	Y	NUT, HEX SLOTTED, 9/16-18	2	8671 -
5	HA-52711	Y	COTTER PIN, 1/8 X 1	2	8671 -
6	2X-2008B	Y	CYLINDER, HYDRAULIC, 2 X 8	1	8671 -
	2X-2008L	Y	SEAL KIT FOR 2X-2008B CYLINDER	1	8671 -
7	HD-56981	Y	HEX NUT, LEFT HAND THREAD, 7/8-18	1	8671 -
8	HA-18018	Y	SCREW, HEX HEAD, 5/8-11 X 1½	1	8671 -
9	4J-04040	Y	ROD END, MALE, TWO PIECE, 5/8-18	1	8671 -
10	HA-19982	Y	NUT, HEX, THIN, 5/8-18	1	8671 -
11	HA-18986	Y	NUT, TRI-LOCK, HEX, 5/8-11	1	8671 -
12	F2-69050	Y	FITTING, 90° ELBOW, 06MP X 04FS	2	8671 -

GROUP 4.030 BRAKING SYSTEM



PARKING BRAKE



BRAKE MASTER CYLINDER AND BRAKE PEDAL ARM

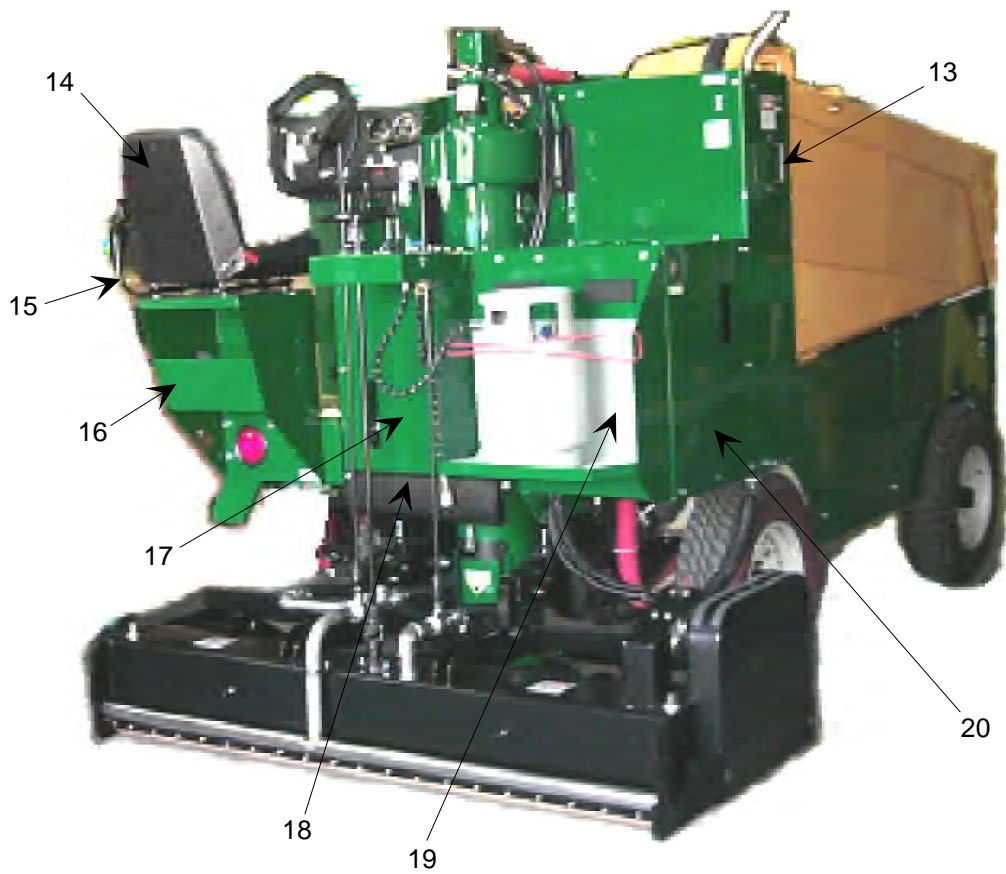
GROUP 4.030 BRAKING SYSTEM

IND	PART NO	COMMON to 500	DESCRIPTION	QTY	SERIAL NO
<u>BRAKE MASTER CYLINDER</u>					
1	4M-31560	Y	MASTER CYLINDER	1	8671 -
	KZ-31560	Y	REBUILT KIT, MASTER CYLINDER		8671 -
	HA-10014	Y	SCREW, HEX HEAD, 3/8-16 X 1½	2	8671 -
	HA-10860	Y	WASHER, FLAT, 3/8	2	8671 -
	HA-10862	Y	LOCKWASHER, 3/8	2	8671 -
	HA-10980	Y	NUT, HEX, 3/8-16	2	8671 -
2	HA-11980	Y	NUT, HEX, 3/8-24	1	8671 -
3	36-01570	Y	YOKE, CLEVIS, 3/8-24	1	8671 -
4	HA-63312	Y	PIN, CLEVIS 3/8 X 31/32	1	8671 -
5	HA-51711	Y	COTTER PIN, 3/32 X 1	1	8671 -
6	4F-34220	Y	BRAKE PEDAL ARM	1	8671 -
7	HA-30861	Y	WASHER, FLAT, 1	2	8671 -
8	HA-7064A	Y	E-RING, EXTERNAL, 1	1	8671 -
9	1L-0520A	Y	BRAKE RETURN SPRING	1	8671 -
10	HA-18980	Y	HEX NUT, 5/8-11	1	8671 -
11	4M-40480	Y	PEDAL, BRAKE	1	8671 -
12	4M-40490	Y	BRAKE PEDAL COVER	1	8671 -
13	4M-40402	Y	ADAPTER, BRAKE LINE	2	8671 -
14	4P-30800	Y	BRAKE LINE TUBE ASSY, 8	2	8671 -
15	4M-40400	Y	TEE, BRAKE LINE, 3/16	1	8671 -
16	4M-40401	Y	BRAKE LINE ADAPTER	1	8671 -
17	4P-34000	Y	BRAKE LINE TUBE ASSY, 40	1	8671 -
18	4M-17580	Y	BRAKE HOSE ASSY	1	8671 -
19	5T-73680	Y	BRACKET, 1-7/8 X 1 X 1/8	1	8671 -
20	4P-32000	Y	BRAKE LINE TUBE ASSY, 20	1	8671 -
21	4P-33000	Y	BRAKE LINE TUBE ASSY, 30	1	8671 -
	1L-33500	Y	BRAKE SPRING SET	2	8671 -
	1J-7292B	Y	BRAKE SHOES (SET)	1	8671 -
<u>PARKING BRAKE</u>					
1	4M-0700A		LEVER ASSY, HAND BRAKE	1	9451 -
2	46-39772		COVER, PARKING BRAKE LEVER	1	9451 -
3	33-0400B		PARKING BRAKE CABLE	2	9451 -

GROUP 5.010 INSTRUCTION PLATES & NAMEPLATES

IND	PART NO	COMMON to 500	DESCRIPTION	QTY	SERIAL NO
	81-16040	Y	ZAMBONI NAMEPLATE	1	8671 -
	HF-01304	Y	STAINLESS STEEL SCREW	6	8671 -
	81-18440	Y	BOARD BRUSH SERIAL NUMBER	1	8671 -
	81-18790	Y	SERIAL NUMBER & PATENT	1	8671 -
	83-0400J	Y	CONTROL RODS	1	8671 -
	81-79550	Y	TIRE PRESSURE, 75 PSI	4	8671 -
	81-41370	Y	HYDRAULIC OIL	1	8671 -
	81-74180	Y	WARNING,USE UNLEADED GAS (WITH CAT CONV)	1	8671 -
	81-75500	Y	DECAL, DANGER...HANDS & FEET	3	8671 -
	83-75520	Y	BLADE ANGLE	1	8671 -
	81-7555A	Y	UNLEADED GASOLINE	1	8671 -
	83-75570	Y	ICE-MAKING WATER	1	8671 -
	83-75580	Y	WASH WATER	1	8671 -
	83-77070	Y	CONTROL VALVE, LEFT	1	8671 -
	83-77075	Y	CONTROL VALVE, RIGHT	1	8671 -
	81-21260	Y	CAUTION-EXPANSION TANK CAP	1	8671 -
	83-0500A	Y	FUSE PANEL	1	8671 -
	81-0500B	Y	HYDRAULIC FILTER INFORMATION	1	8671 -
	81-0510A	Y	HYDROSTAT BY-PASS	1	8671 -
	81-2000A	Y	DANGER... DO NOT OPERATE..	1	8671 -
	81-2000B	Y	DANGER... USE SAFETY STAND...	1	8671 -
	81-2000C	Y	DANGER... MOVING PARTS... (4 X 4)	5	8671 -
	81-2000D	Y	DANGER... NO STEPPING...	2	8671 -
	81-2000N	Y	DANGER... NO RIDERS...	2	8671 -
	81-2000H	Y	DANGER... ROTATING PARTS...	2	8671 -
	81-2000F	Y	DANGER... MOVING PARTS... (3 X 3)	1	8671 -
	81-2000P	Y	DANGER... EXHAUST GASES...	1	8671 -
	81-06200	Y	ENGINE RPM, ELECTRONIC GOVERNOR	1	8671 -
	81-50010	Y	OPERATING INSTRUCTIONS	1	8671 -
	81-50015	Y	KEY SWITCH	1	8671 -
	81-79100	Y	SWITCHES	1	8671 -
	81-79300	Y	WARNING LIGHTS	1	8671 -
	81-50525	N	CHECK ENGINE LIGHT	1	8671 -
	81-50526	N	GREEN MEANS GO	1	8671 -
	81-50527	N	COOLANT ALARM	1	8671 -

GROUP 5.020 BODY PANELS



GROUP 5.020 BODY PANELS

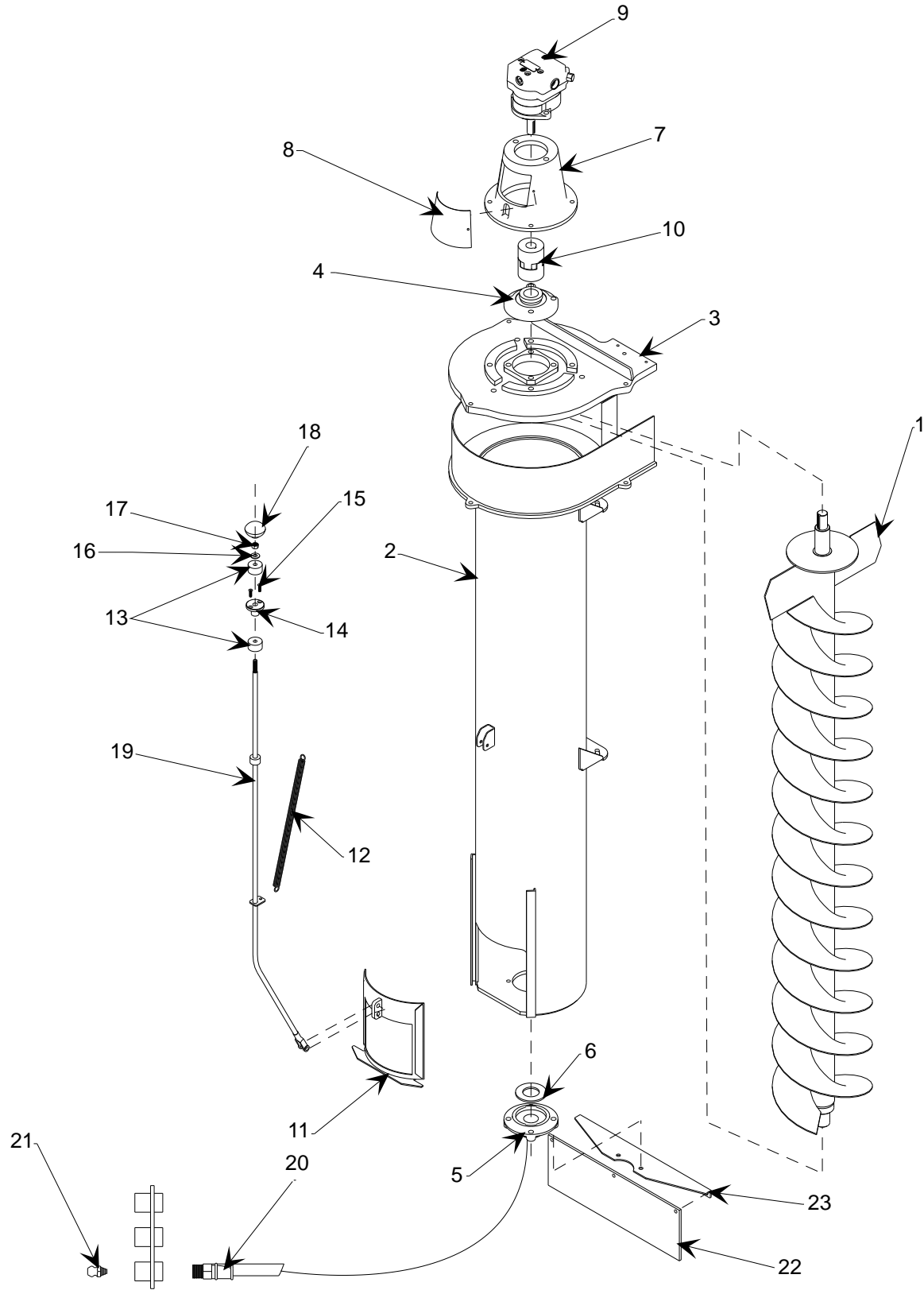
IND	PART NO	COMMON		DESCRIPTION	QTY	SERIAL NO
			to 500			
1	46-17540	N		FRONT PANEL	1	8671 -
	HF-10011	Y		SCREW, S.S., HEX HEAD, 3/8-16 X 1	4	8671 -
	HF-10860	Y		WASHER, FLAT, S.S., 3/8	8	8671 -
	HF-10862	Y		LOCKWASHER, S.S., 3/8	4	8671 -
3	8T-15805	Y		BUMPER	1	8671 -
	HA-14213	Y		CARRIAGE SCREW, 1/2-13 X 1 1/4	4	8671 -
	HA-14986	Y		NUT, HEX, TRI-LOCK, 1/2-13	4	8671 -
4	8R-16800	Y		GUIDE WHEEL	1	8671 -
	HP-32894	Y		WASHER, FLAT, NYLON	1	8671 -
	HF-10013	Y		SCREW, HEX HEAD, 3/8-16 X 1-1/4	1	8671 -
	HF-10981	Y		NYLON NUT, HEX LOCK, 3/8-16	1	8671 -
	HF-08860	Y		WASHER, FLAT, 5/16	2	8671 -
5	15-15520	Y		SHAFT & STRAP, GUIDE WHEEL	1	8671 -
6	46-25521	N		PANEL, FRONT DOOR, LH	1	8671 -
7	46-25541	N		PANEL, FRONT DOOR, RH	1	8671 -
8	47-17720	Y		HINGE, DOOR PANEL	2	8671 -
	HA-04706	Y		SCREW, FILLISTER HEAD, #10-32 X 1/2	16	8671 -
	HA-04981	Y		NUT, LOCK, #10-32	16	8671 -
	1L-0520C	Y		SPRING, DOOR	2	8671 -
9	46-15535	Y		PANEL, REAR, LH	1	8671 -
10	46-15540	Y		PANEL, REAR, RH	1	8671 -
	HA-08009	Y		SCREW, HEX HD, 5/16-18 X 3/4	8	8671 -
	HA-08862	Y		WASHER, FLAT, 5/16	8	8671 -
	HA-08981	Y		NUT, HEX, LOCK, 5/16	8	8671 -
	8T-12540	Y		BUMPER, DOOR	2	8671 -
	HA-04711	Y		SCREW, FILLISTER HEAD, #10-32 X 1	2	8671 -
	HD-05862	Y		FLAT WASHER, SPECIAL	2	8671 -
	HA-04981	Y		NUT, HEX, LOCK, #10-32	2	8671 -
11	47-17840	Y		LATCH, LEFT SIDE, DOOR	1	8671 -
12	47-17850	Y		LATCH, RIGHT SIDE, DOOR	1	8671 -
13	4A-40510	Y		HAND GRIP	2	8671 -
14	7H-72900	Y		SEAT ASSEMBLY	1	8671 -
15	7H-1524C	Y		HAND RAIL	1	8671 -
16	7H-05220	Y		SUPPORT, OPERATOR'S SEAT	1	8671 - 9450
	7H-05222	N		SUPORT, OPERATOR'S SEAT, W/ PARKING BRAKE	1	9451 -
17	46-15394	Y		REAR PANEL, LEFT	1	8671 -
18	49-42460	Y		FLAP, REAR PANEL	1	8671 -
	1M-42100	Y		STRAP, FLAP RETAINER	1	8671 -
19	46-05230	Y		PANEL, FUEL TANK MOUNTING (LPG)	1	8671 -
	*SEE SECTION 1.030 - ENGINE FUEL SYSTEM - LPG FOR H/W & MISC PARTS					
	46-15400	Y		REAR PANEL, RIGHT SIDE (GASOLINE)	1	8671 -
20	46-15212	Y		PANEL, RIGHT, TOP AND SIDE	1	8671 -

HARDWARE WITH 17-20:

17 - (4) A, (4) B, (3) C, (3) D, (5) M
 18 - (2) E, (2) F, (2) G, (2) H, (2) I, (2) B
 19 - (7) A, (7) B, (7) E, (7) F, (7) M
 20 - (7) A, (7) B, (7) C, (7) D, (3) J, (3) K, (6) M

A	HF-08011	Y		SCREW, HEX HEAD, 5/16-18 X 1, SS		8671 -
B	HF-08862	Y		LOCKWASHER, SS, 5/16		8671 -
C	HF-06860	Y		WASHER, FLAT, 1/4		8671 -
D	HD-08862	Y		WASHER, FLAT, NYLON, .318IDX.751ODX062THK		8671 -
E	HD-08865	Y		WASHER, FLAT, NYLON, .344ID X .875OD X .062THK		8671 -
F	HF-08860	Y		WASHER, FLAT, 5/16, S.S.		8671 -
G	HD-08007	Y		STUD, 5/16-18 X 1-3/4, ALL THD		8671 -
H	HF-08903	Y		SS HEX NUT, 5/16-18		8671 -
I	HA-08990	Y		WINGNUT, 5/16-18		8671 -
K	HF-08009	Y		SCREW, HEX HEAD, 5/16-18 X 3/4, SS		8671 -
L	HA-08981	Y		NUT, HEX LOCK, 5/16-18		8671 -
M	HA-08900	Y		NUT, SPEED "J" TYPE, 5/16		8671 -

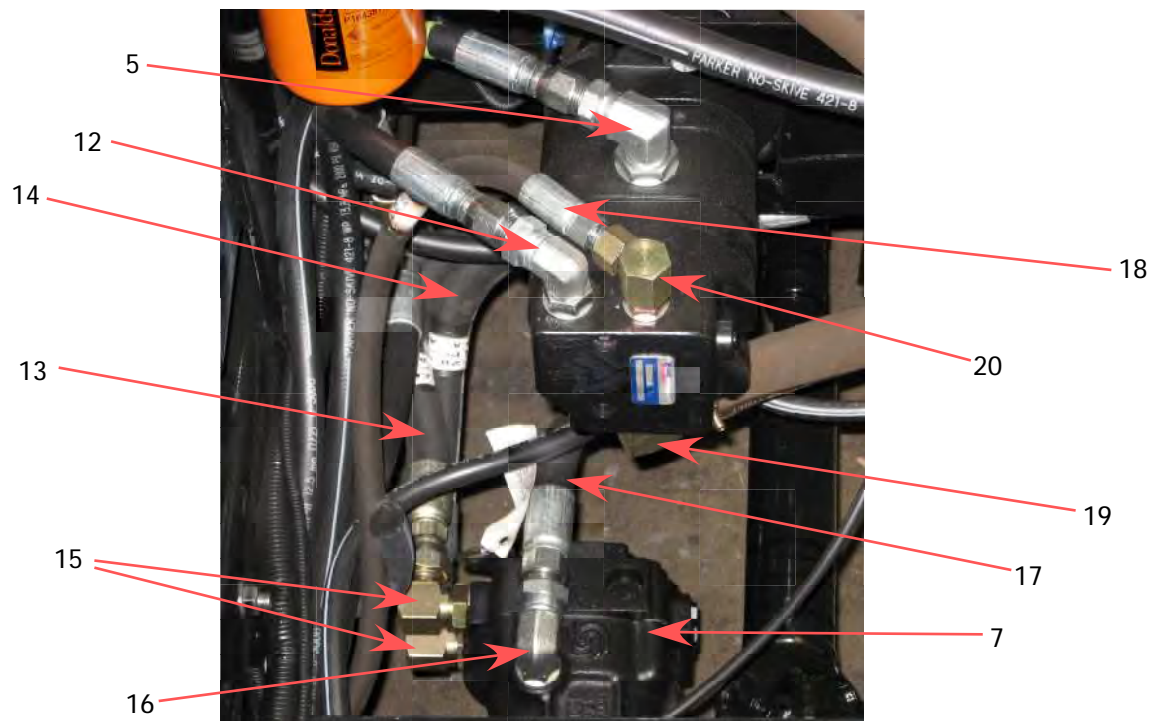
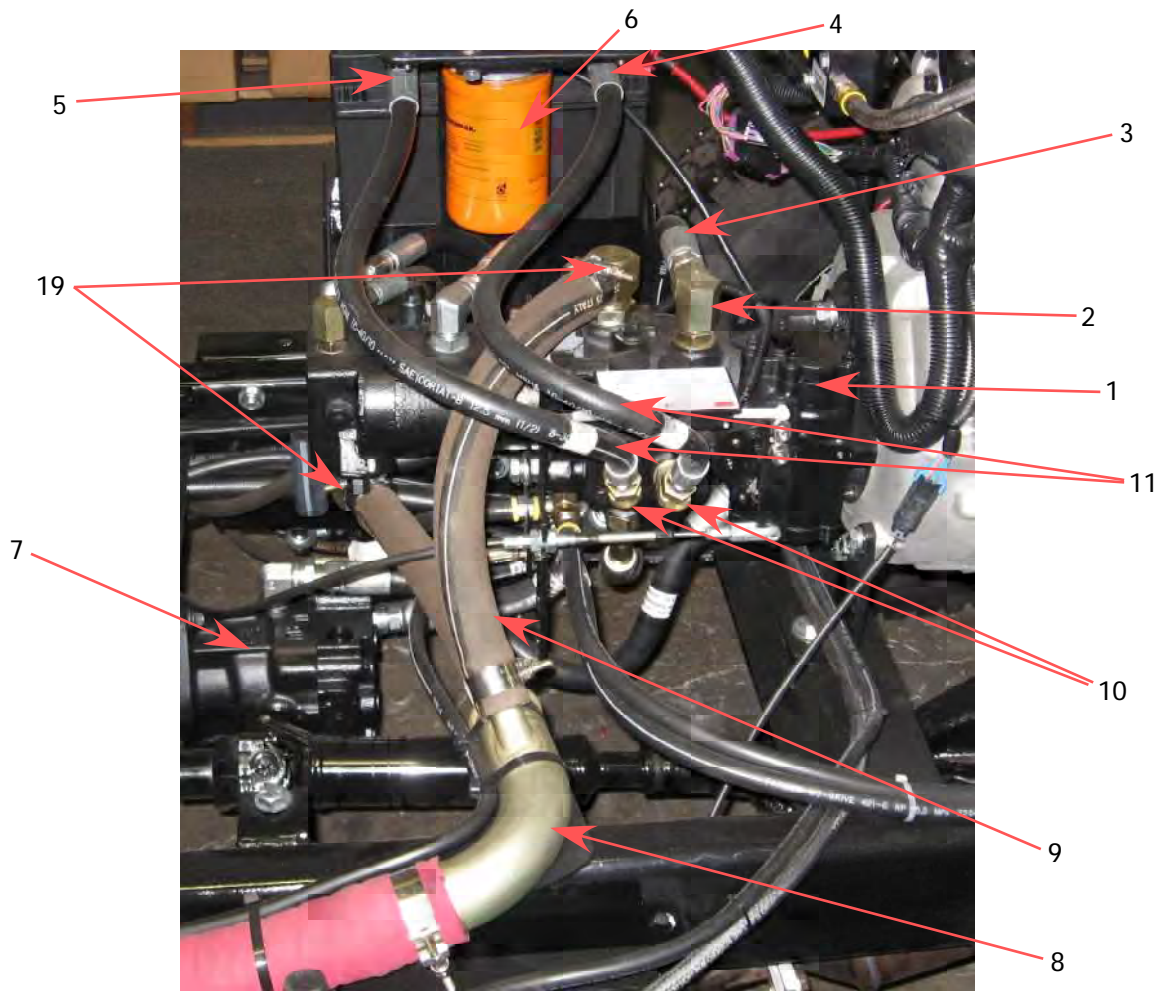
GROUP 6.010 VERTICAL CONVEYOR



GROUP 6.010 VERTICAL CONVEYOR

IND	PART NO	COMMON		DESCRIPTION	QTY	SERIAL NO
			to 500			
1	5A-69740	Y		VERTICAL CONVEYOR	1	8671 -
2	5A-06020	Y		HOUSING, VERTICAL CONVEYOR	1	8671 -
	HA-10011	Y		SCREW, HEX HEAD, 3/8-16 X 1	4	8671 -
	HA-10984	Y		K-LOCKNUT, 3/8-16	4	8671 -
3	5A-05100	Y		COVER, SLINGER HOUSING	1	8671 -
	HF-1501S	Y		SCREW, HEX HEAD, 1/2-20 X 3/8	3	8671 -
	HA-10030	Y		SCREW, HEX HEAD, 3/8-16 X 7	3	8671 -
	HA-10862	Y		WASHER, LOCK, 3/8	3	8671 -
	HA-10860	Y		WASHER, FLAT, 3/8	3	8671 -
	HA-10980	Y		NUT, HEX, 3/8-16	3	8671 -
4	1X-36642	Y		BEARING, VERTICAL CONVEYOR, TOP	1	8671 -
	HE-10003	Y		SCREW, HEX HEAD, SHOULDER, 3/8-16 X 1 1/2	4	8671 -
	HA-10862	Y		WASHER, LOCK, 3/8	4	8671 -
	HA-10860	Y		WASHER, FLAT, 3/8	4	8671 -
	1Z-1669B	Y		GREASE FITTING, 1 3/4 LONG	1	8671 -
5	1X-36642	Y		BEARING, VERTICAL CONVEYOR, BOTTOM	1	8671 -
	HA-10014	Y		SCREW, HEX HEAD, 3/8-16 X 1 1/2	4	8671 -
	HA-10862	Y		WASHER, LOCK, 3/8	4	8671 -
6	HA-30870	Y		WASHER, SAE, FLAT, 1 1/2	1	8671 -
7	3M-11000	Y		MOTOR MOUNT	1	8671 -
	HA-10011	Y		SCREW, HEX HEAD, 3/8-16 X 1	4	8671 -
	HA-10862	Y		WASHER, LOCK, 3/8	4	8671 -
	HA-10860	Y		WASHER, FLAT, 3/8	4	8671 -
8	3M-11020	Y		COVER PLATE	1	8671 -
	HF-04206	Y		SCREW, SS, BUTTON HEAD, 10-32 X 1/2	2	8671 -
	HA-03862	Y		WASHER, LOCK, #10	2	8671 -
9	2M-75700	N		MOTOR, HYDRAULIC (CASAPPA)	1	8671 -
	2M-7570B	N		KIT, SEAL (CASAPPA)	1	8671 -
	HA-10013	Y		SCREW, HEX HEAD, 3/8-16 X 1 1/4	2	8671 -
10	2A-0450D	Y		COUPLING	1	8671 -
	2A-0450C	Y		INSERT, URETHANE SPIDER, SHOCK DAMPENING	1	8671 -
11	5C-69630	Y		SNOW BREAKER	1	8671 -
	HA-10014	Y		SCREW, HEX HEAD, 3/8-16 X 1 1/2	1	8671 -
	HA-10981	Y		NUT, HEX, NY-LOCK, 3/8-16	1	8671 -
12	1L-75450	Y		SPRING, SNOW BREAKER	1	8671 -
	HA-1101S	Y		ANCHOR BOLT	1	8671 -
	HA-77100	Y		RING	1	8671 -
13	8T-75380	Y		BUMPER, SNOW BREAKER, ROD	2	8671 -
14	13-19925	Y		BUSHING, SNOW BREAKER ROD	1	8671 -
15	HF-04309	Y		SCREW, SOCKET FLAT HEAD, 10-32 X 3/4	2	8671 -
16	HA-10860	Y		WASHER, FLAT, 3/8	1	8671 -
17	HA-11980	Y		NUT, HEX, 3/8-24	1	8671 -
18	4B-40830	Y		KNOB, CONTROL ROD	1	8671 -
19	5C-16930	Y		ROD, SNOW BREAKER CONTROL	1	8671 -
20	PL-0135B	Y		HOSE, LUBRICATION, 1/8 X 53	1	8671 -
21	1Z-01580	Y		GREASE FITTING, 1/8 NPT	3	8671 -
22	5A-06036	Y		SNOW FLAP RUBBER	1	8671 -
23	5A-06037	Y		BRACKET, SNOW FLAP	1	8671 -
	HA-06009	Y		SCREW, HEX HEAD, 1/4-20 X 3/4	3	8671 -
	HA-06862	Y		WASHER, LOCK, 1/4	3	8671 -
	HA-06860	Y		WASHER, SAE, FLAT, 1/4	6	8671 -
	HA-06980	Y		NUT, HEX, 1/4-20	3	8671 -
N/S	15-02116	Y		KEY, 1/4 SQUARE X 1 1/2	1	8671 -
N/S	15-01116	Y		KEY, 3/16 SQUARE X 1 1/2	1	8671 -
N/S	5C-16920	Y		EXTENSION, SNOW BREAKER	1	8671 -

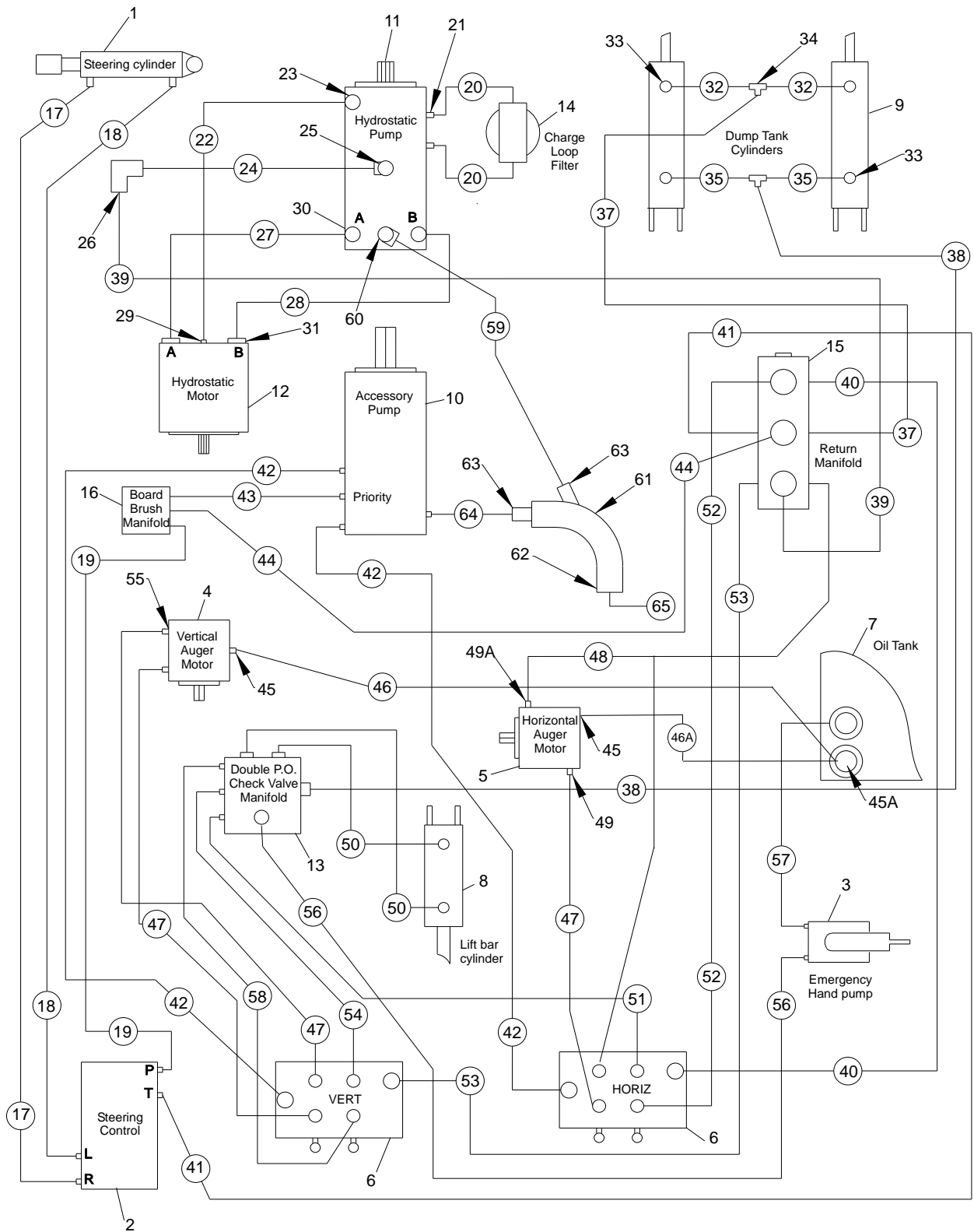
GROUP 7.010 HYDROSTATIC DRIVE SYSTEM



GROUP 7.010 HYDROSTATIC DRIVE SYSTEM

IND	PART NO	COMMON to 500	DESCRIPTION	QTY	SERIAL NO
1	2P-05860	N	PUMP, HYDROSTATIC, M46	1	8671 -
	KZ-0586P	N	KIT, SEAL, SPOOL, M46 PUMP	1	8671 -
	2P-05863	N	KIT, SHAFT SEAL, M46 PUMP	1	8671 -
	KZ-0587S	N	KIT, SHAFT (15T LONG X 13T)	1	8671 -
N/S	F1-75085	Y	FITTING, 45° ELBOW, 12MB X 12FS	1	8671 -
2	F1-69120	Y	FITTING, 90° ELBOW, 12MB X 12FS	1	8671 -
3	PM-6080B	Y	HOSE, 3/4 X 20.0, 12MP X 12MP	1	8671 -
4	F1-7369A	Y	ADAPTER, 90° ELBOW, WITH TEST PORT	1	8671 -
	FD-18060	Y	PLUG, 04 MP	1	8671 -
5	F1-69110	Y	ADAPTER, 90° ELBOW, 12MB X 08FS	2	8671 -
6	3R-07000	Y	FILTER ASSEMBLY, MANIFOLD & ELEMENT	1	8671 -
	3R-07001	Y	FILTER ELEMENT	1	8671 -
	3R-07002	Y	FILTER INDICATOR	1	8671 -
	3R-07003	Y	FILTER HEAD	1	8671 -
7	2M-06020	N	MOTOR, HYDROSTATIC, M44 W/LOOP FLUSHING	1	8671 -
8	23-05525	N	MANIFOLD, HYDRAULIC OIL SUPPLY	1	8671 -
N/S	5P-05250	N	RUBBER GUARD W/ 3EA CABLE TIES	1	8671 -
9	PX-3071A	N	HOSE, 1 X 17.5, SUCTION	1	8671 -
	27-2202A	Y	CLAMP, T-BOLT, 1 INCH HOSE	2	8671 -
10	F1-75080	Y	FITTING, 45° ELBOW, 10MB X 08FS	2	8671 -
11	PM-4116B	Y	HOSE, 1/2 X 29.0, 08MP X 08MP	2	8671 -
12	F1-69090	N	FITTING, 90° ELBOW, 08FS X 10MB	1	8671 -
13	PC-4086B	Y	HOSE, HI-PRESS., 1 X 21.5, 12TN X 12F745	1	8671 -
14	PC-4073B	Y	HOSE, HI-PRESS., 1 X 18.0, 12TN X 12F745	1	8671 -
15	F1-67390	Y	FITTING, 90° ELBOW, 12MB X 12MJ	2	8671 -
16	F1-69100	Y	FITTING, 90° ELBOW, 10MB X 12FS	1	8671 -
17	PM-6092B	Y	HOSE, 3/4 X 23.0, 12MP X 12MP	1	8671 -
18	PM-3164C	Y	HOSE, 3/8 X 41.0, 06MP X 06FJTN	1	8671 -
19	FW-11300	Y	90° ELBOW, 1 INCH HOSE X 16MB	2	8671 -
20	F1-69050	Y	FITTING, 90° ELBOW, 08MB X 06FS	1	8671 -
N/S	F1-62360	Y	ADAPTER, 16MB X 12MJ	2	8671 -

GROUP 7.020 HYDRAULIC SYSTEM



GROUP 7.020 HYDRAULIC SYSTEM

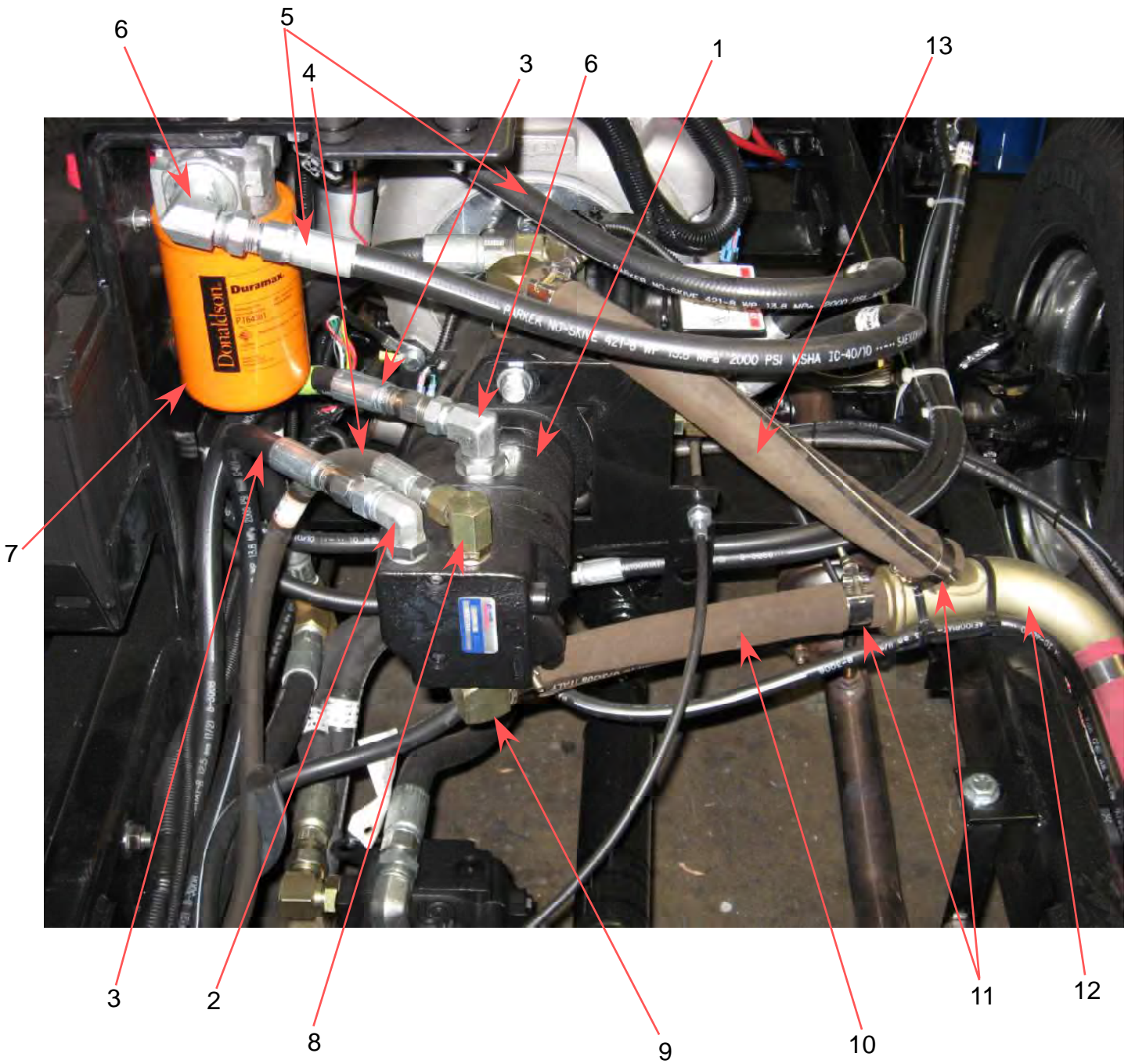
IND	PART NO	COMMON to 500	DESCRIPTION	QTY	SERIAL NO
1	2X-2008B	Y	STEERING CYLINDER	1	8671 -
2	4C-05100	Y	STEERING CONTROL	1	8671 -
	4C-0510A	Y	SEAL KIT, STEERING CONTROL	1	8671 -
3	2P-20000	Y	HAND PUMP	1	8671 -
4	2M-75700	N	MOTOR VERTICAL CONVEYOR (CASAPPA)	1	8671 -
5	2M-75700	N	MOTOR, HORIZONTAL CONVEYOR (CASAPPA)	1	8671 -
	2M-7570B	N	KIT, SEAL, CASAPPA	1	8671 -
6	2V-75060	Y	VALVE, HYDRAULIC CONTROL	2	8671 -
7	7A-15806	Y	HYDRAULIC OIL TANK	1	8671 -
8	2X-3005A	Y	CONDITIONER LIFT BAR CYLINDER	1	8671 -
9	2X-2514A	Y	DUMP TANK CYLINDER	2	8671 -
10	2P-06500	N	HYDRAULIC DOUBLE PUMP	1	8671 -
11	2P-05860	Y	HYDROSTATIC PUMP	1	8671 -
12	2M-06020	Y	HYDROSTATIC MOTOR	1	8671 -
13	2V-44596	Y	MANIFOLD, CHECK VALVE W/FITTINGS	1	8671 -
14	3R-07000	Y	FILTER ASSY. HYDRAULIC SYSTEM, CHARGE LOOP	1	8671 -
15	7A-15890	Y	MANIFOLD, OIL TANK RETURN	1	8671 -
16	2V-9035A	Y	MANIFOLD, BOARD BRUSH	1	8671 -
17	PM-1692B	Y	HOSE, 1/4 X 168.0, 06MP X 04MP	1	8671 -
18	PM-1705B	Y	HOSE, 1/4 X 174.0, 06MP X 04MP	1	8671 -
19	PM-3540B	Y	HOSE, 3/8 X 135.0, 06MP X 06MP	1	8671 -
20	PM-4116B	Y	HOSE, 1/2 X 29.0, 08MP X 08MP	2	8671 -
21	F1-75080	Y	FITTING, 45° ELBOW, 10MB X 08FS	2	8671 -
22	PM-6092B	Y	HOSE, 3/4 X 23.0, 12MP X 12MP	1	8671 -
23	F1-75085	Y	FITTING, 45° ELBOW, 12MB X 12FS	1	8671 -
24	PM-6080B	Y	HOSE, 3/4 X 20.0, 12MP X 12MP	1	8671 -
25	F1-69120	Y	FITTING, 90° ELBOW, 12MB X 12FS	1	8671 -
26	F2-70130	N	FITTING, 90° ELBOW, 12FP X 12FS	1	8671 -
27	PC-4073B	Y	HOSE, HI-PRESS., 1 X 18.0, 12TN X 12F745	1	8671 -
28	PC-4086B	Y	HOSE, HI-PRESS., 1 X 21.5, 12TN X 12F745	1	8671 -
29	F1-69100	Y	FITTING, 90° ELBOW, 10MB X 12FS	1	8671 -
30	F1-62360	Y	FITTING, STRAIGHT, 16MB X 12MJ	2	8671 -
31	F1-67390	Y	FITTING, 90° ELBOW, 12MB X 12MJ	2	8671 -
32	P6-1200B	Y	HOSE, LO-PRESS., 3/8 X 50.0, 06MP X 06MP	2	8671 -
33	F2-69090	Y	FITTING, 90° ELBOW, 08MP X 06FS	4	8671 -
34	F2-81030	Y	FITTING, TEE, 06FS X 06FS X 06FS	2	8671 -
35	PM-1152B	N	HOSE, 1/4 X 38.0, 06MP X 06MP	2	8671 -
37	P6-1506A	Y	HOSE, LO-PRESS., 3/8 X 122.0, 06MP X 06MP	1	8671 -
38	PM-1454A	Y	HOSE, 1/4 X 109.0, 06MP X 06MP	1	8671 -
39	PM-6456B	Y	HOSE, 3/4 X 114.0, 12MP X 12MP	1	8671 -
40	PM-4084C	Y	HOSE, 1/2 X 21.0, 08MB X 08MB90	1	8671 -
41	PM-3252B	Y	HOSE, 3/8 X 63.0, 06MP X 06MP	1	8671 -
42	PM-4500A	Y	HOSE, 1/2 X 125.0, 08MB X 08MP	2	8671 -
43	PM-3164C	Y	HOSE, 3/8 X 41.0, 06MP X 06FJTN	1	8671 -

GROUP 7.020 HYDRAULIC SYSTEM

IND	PART NO	COMMON to 500	DESCRIPTION	QTY	SERIAL NO
44	PM-3436D	Y	HOSE, 3/8 X 112.0, 06MP X 06MP	1	8671 -
45	F1-18010	N	PLUG, MALE O-RING BOSS, 04MB	1	8671 - 9484
	F1-69015	N	FITTING, 90° ELBOW, 04MB X 06FS	2	9485 -
45A	FD-18110	N	FITTING, PLUG, 06MP	1	8671 - 9484
	F2-81130	N	FITTING, TEE, 06FS X 06FS X 06MP	1	9485 -
46	KZ-72380*	N	KIT, CASE DRAIN, HYD MOTORS	1	8671 - 9484
	PM-3260B	N	HOSE, 3/8 X 65.0, 06MP X 06MP	1	9485 -
46A	KZ-72380*	N	KIT, CASE DRAIN, HYD MOTORS	1	8671 - 9484
	PM-3120C	N	HOSE, 3/8 X 30.9, 06MP X 06MP	1	9485 -
47	PM-4260B	Y	HOSE, 1/2 X 65.0, 08MB X 08MP	3	8671 -
48	PM-6158B	Y	HOSE, 3/4 X 45.0, 12MP X 12MP	1	8671 - 9343
	PM-4260B	N	HOSE, 1/2 X 65.0, 08MB X 08MP	1	9344 -
49	F1-69110	N	FITTING, 90° ELBOW, 12MB X 08FS	1	8671 -
49A	F1-69120	Y	FITTING, 90° ELBOW, 12MB X 12FS	1	8671 - 9343
	F1-69110	N	FITTING, 90° ELBOW, 12MB X 08FS	1	9344 -
50	PM-1144D	Y	HOSE, 1/4 X 36.0, 06MP X 06MP	2	8671 -
51	PM-3132C	Y	HOSE, 3/8 X 33.0, 08MB X 08MB	1	8671 -
52	PM-3092F	Y	HOSE, 3/8 X 23.0, 08MB X 08MB	1	8671 -
53	PM-4132C	Y	HOSE, 1/2 X 33.0, 08MB X 08MB90	1	8671 -
54	PM-3156C	Y	HOSE, 3/8 X 39.0, 08MB X 08MB	1	8671 -
55	F1-69110	Y	FITTING, 90° ELBOW, 12MP X 08FS	2	8671 -
56	PM-1072C	Y	HOSE, 1/4 X 18.0, 04MP X 06MP	1	8671 -
57	PM-1104A	Y	HOSE, 1/4 X 26.0, 06MP X 06MP90	1	8671 -
58	PM-3136E	Y	HOSE, 3/8 X 34.0, 08MB X 08MB	1	8671 -
59	PX-3071A	N	HOSE, 1 X 17.5, SUCTION	1	8671 -
60	FW-11300	Y	FITTING, 90° ELBOW, 1 INCH HOSE X 16MB	1	8671 -
61	23-05525	N	MANIFOLD, HYDRAULIC OIL SUPPLY	1	8671 -
62	27-2204K	Y	CLAMP, T-BOLT, 2 INCH HOSE	1	8671 -
63	27-2202A	Y	CLAMP, T-BOLT, 1 INCH HOSE	4	8671 -
64	PX-3048A	N	HOSE, 1 X 12, SUCTION	1	8671 -
65	PX-6328A	N	HOSE, 2 X 82, SUCTION	1	8671 -

* KZ-72380 HYDRAULIC MOTOR CASE DRAIN KIT CONTAINS ITEMS (2) 45 (ELBOWS), 45A (TEE), 46 (VA HOSE), 46A (HA HOSE)

GROUP 7.030 HYDRAULIC ACCESSORY PUMP



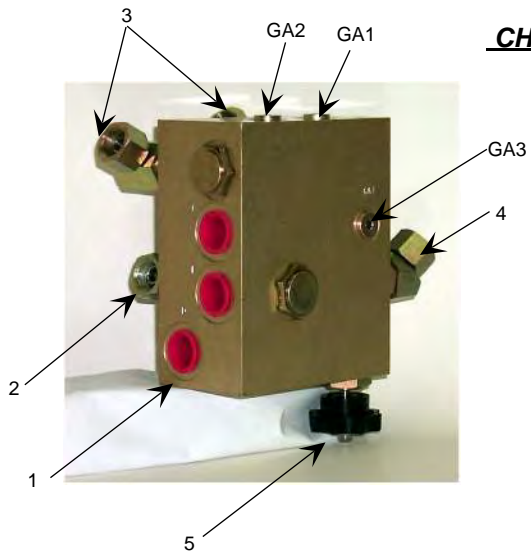
GROUP 7.030 HYDRAULIC ACCESSORY PUMP

IND	PART NO	COMMON to 500	DESCRIPTION	QTY	SERIAL NO
1	2P-06500	N	PUMP, HYD., DOUBLE	1	8671 -
	HA-14014	Y	SCREW, HEX HEAD, ½ -13 X 1½	2	8671 -
	HA-14862	Y	WASHER, LOCK, ½	2	8671 -
2	F1-69090	Y	FITTING, 90° ELBOW, 12MB X 08FS	1	8671 -
3	PM-4500A	Y	HOSE, ½ X 125.0, 08MB X 08MP	2	8671 -
4	PM-3164C	Y	HOSE, 3/8 X 41.0, 06MP X 06FJTN	1	8671 -
5	PM-4116B	Y	HOSE, ½ X 29, 8MP X 8MP	2	8671 -
6	F1-69110	Y	FITTING, 90° ELBOW, 12MB X 08FS	2	8671 -
7	3R-07000	Y	FILTER ASSEMBLY, MANIFOLD & ELEMENT	1	8671 -
	3R-07001	Y	FILTER ELEMENT	1	8671 -
	3R-07002	Y	FILTER INDICATOR	1	8671 -
	3R-07003	Y	FILTER HEAD	1	8671 -
8	F1-69050	Y	FITTING, 90° ELBOW, 08MB X 06FS	1	8671 -
9	FW-11300	Y	FITTING, 90° ELBOW, 16MB X 16HB	1	8671 -
10	PX-3048A	N	HOSE, 1 X 12, SUCTION	1	8671 -
11	27-2202A	Y	CLAMP, T-BOLT, 1 INCH HOSE	2	8671 -
12	23-05525	N	MANIFOLD, HYDRAULIC OIL SUPPLY	1	8671 -
13	PX-3071A	Y	HOSE, 1 X 17.75, SUCTION	1	8671 -

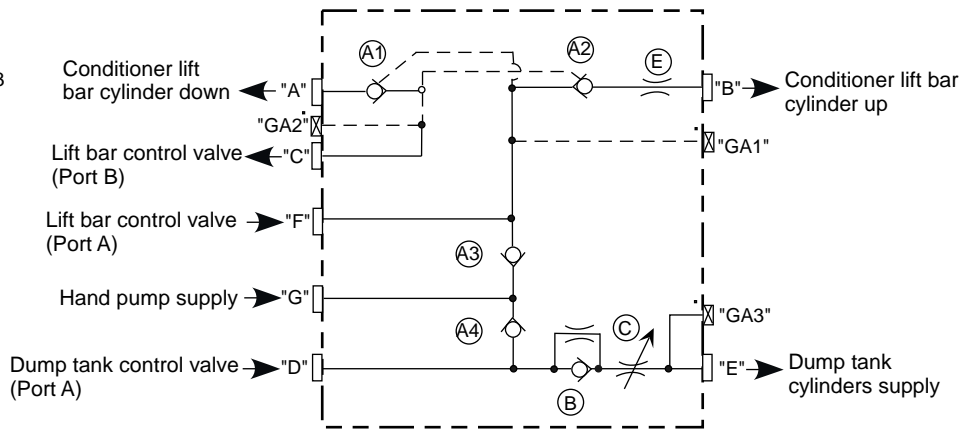
GROUP 7.040 CHECK VALVE MANIFOLD AND HAND PUMP



Hand Pump Check Valve Manifold



CHECK VALVE MANIFOLD



Hydraulic Schematic

HYDRAULIC HAND PUMP



GROUP 7.040 CHECK VALVE MANIFOLD & HYDRAULIC HAND PUMP

IND	PART NO	COMMON to 500	DESCRIPTION	QTY	SERIAL NO
-----	---------	------------------	-------------	-----	-----------

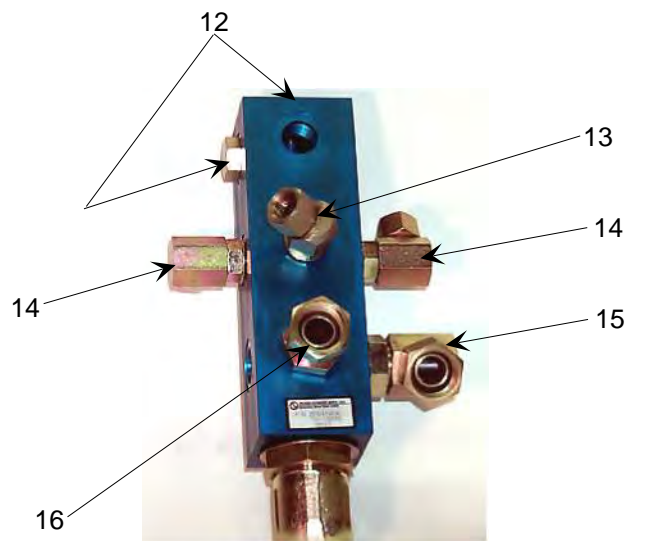
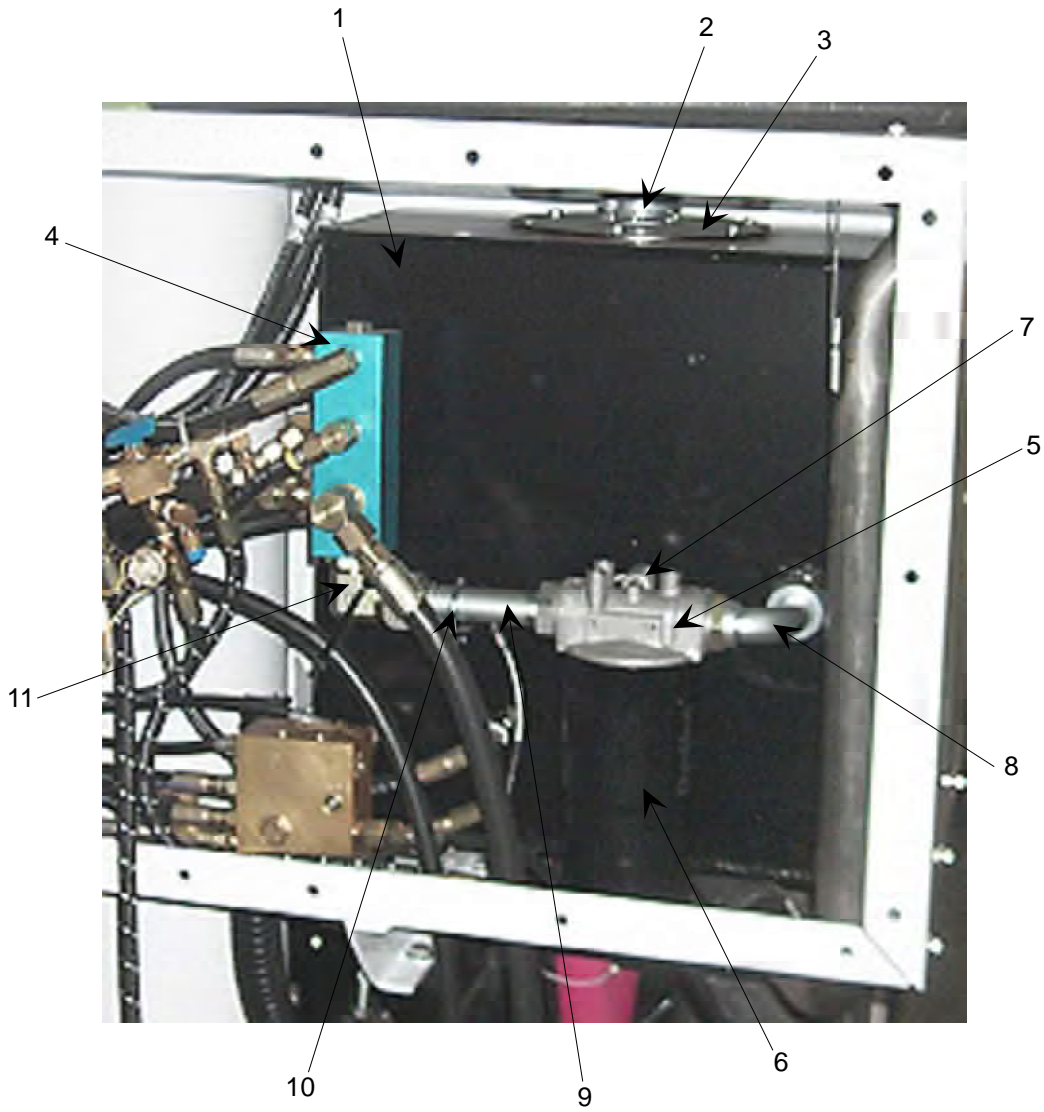
CHECK VALVE MANIFOLD

1	2V-44596	Y	CHECK VALVE MANIFOLD ASSY. W/ FITTINGS	1	8671 -
	2V-44620	N	CHECK VALVE MANIFOLD ONLY (FP)	1	8671 -
A1-A4	2V-44591	Y	CARTRIDGE VALVE, CHECK VALVE MANIFOLD	4	8671 -
B	2V-44592	Y	RESTRICTOR CHECK VALVE, CHECK VALVE MANIFOLD	1	8671 -
C	2V-44597	Y	ADJUSTING NEEDLE, CHECK VALVE MANIFOLD	1	8671 -
E	2V-44598	Y	ORIFICE PLUG, CHECK VALVE MANIFOLD	1	8671 -
2	F1-69030	Y	FITTING, 90° ELBOW, 06MB X 06FS	1	8671 -
3	F1-69050	Y	FITTING, 90° ELBOW, 08MB X 06FS	2	8671 -
4	F1-75040	Y	FITTING, 45° ELBOW, 08MB X 06FS	1	8671 -
5	4B-30000	N	KNOB, NEEDLE VALVE	1	8671 -

HYDRAULIC HAND PUMP

1	2P-20000	Y	HAND PUMP W/RELIEF VALVE, W/OUT HANDLE	1	8671 -
	2P-20001	Y	SERVICE KIT FOR POWER PACKER PUMP	1	8671 -
2	2P-2000H	Y	HANDLE, HAND PUMP, MONARCH	1	8671 -
3	F1-69010	Y	FITTING, 90° ELBOW, SHORT, 04FS X 04MB	1	8671 -
4	F1-64510	Y	FITTING, STRAIGHT, 04FP X 04MB	1	8671 -
5	HA-10018	Y	SCREW, HEX HD, 3/8-16 X 2½	2	8671 -
	HA-10981	Y	LOCKNUT, HEX, 3/18-16	2	8671 -

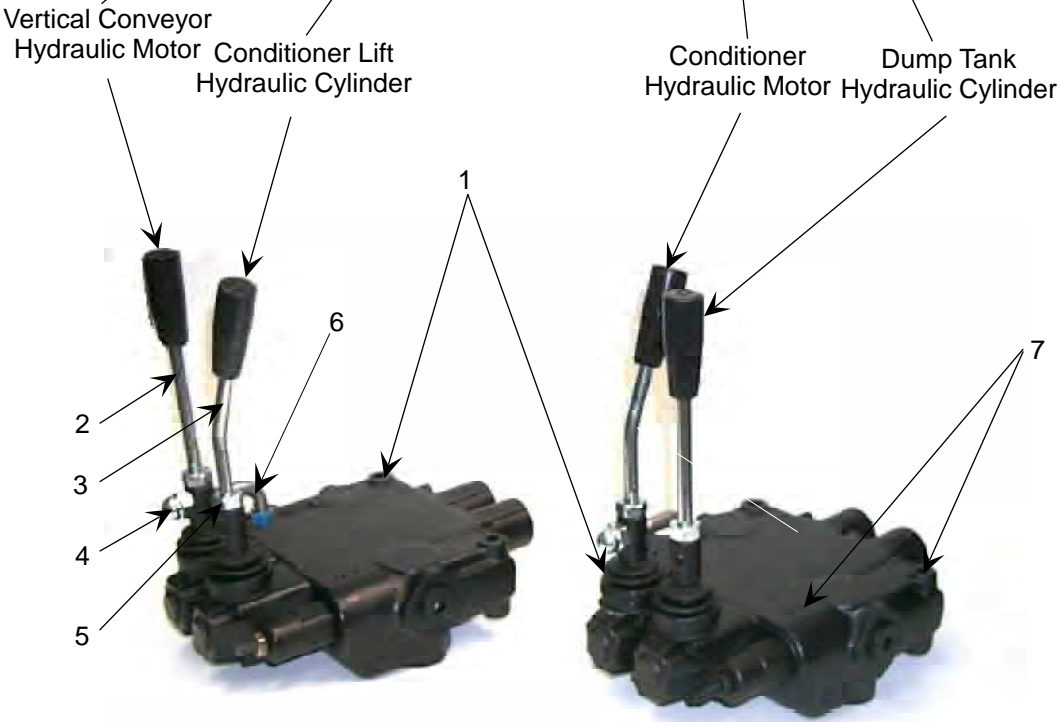
GROUP 7.050 HYDRAULIC OIL TANK



GROUP 7.050 HYDRAULIC OIL TANK

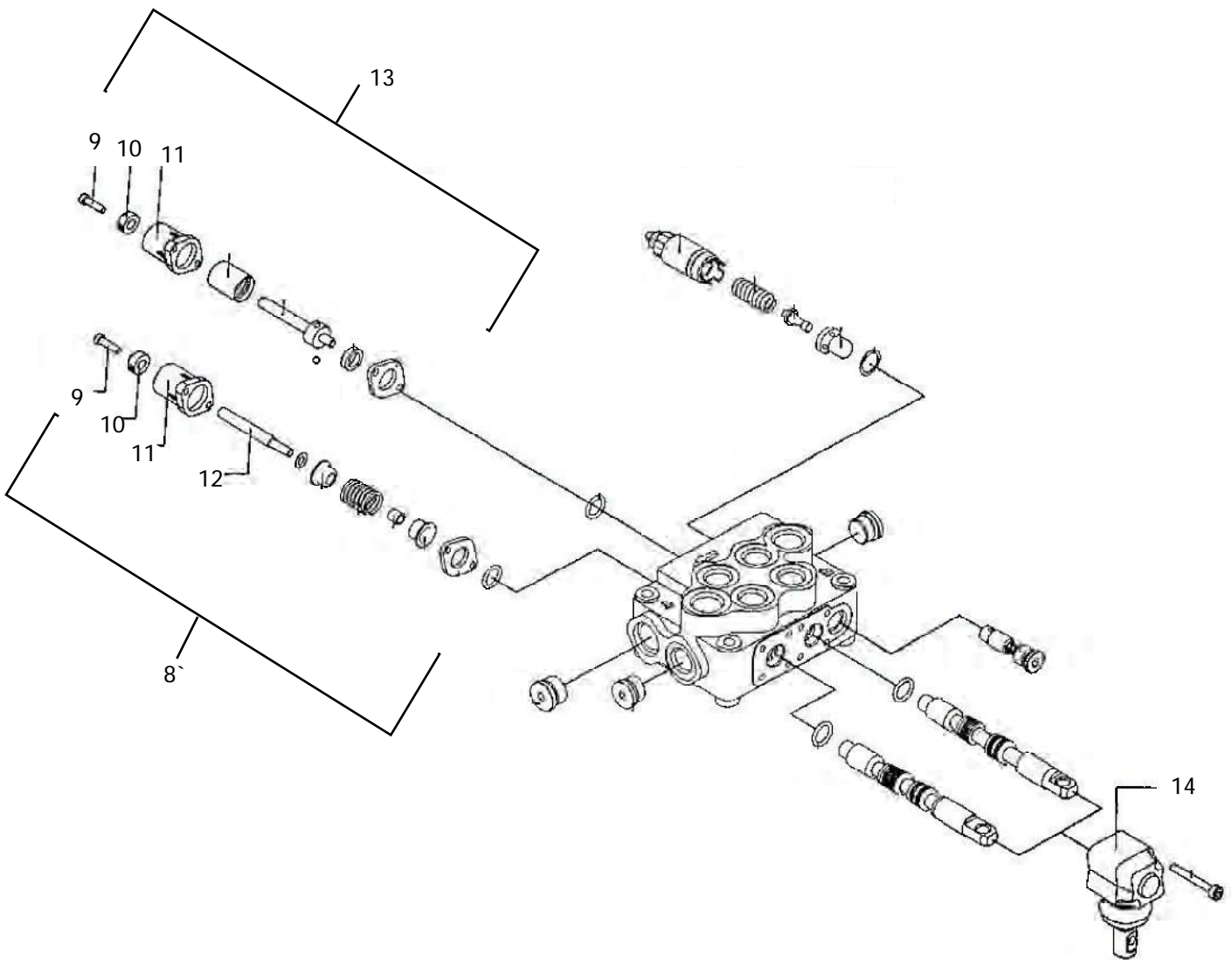
IND	PART NO	COMMON to 500	DESCRIPTION	QTY	SERIAL NO
1	7A-15806	Y	TANK, HYDRAULIC OIL	1	8671 -
	HA-10013	Y	SCREW, HEX HD, 3/8-16 X 1¼	3	8671 -
	HA-10860	Y	FLAT WASHER, 3/8	3	8671 -
	HA-10981	Y	LOCKNUT, HEX, 3/8-16	3	8671 -
N/S	7K-15740	Y	SIGHT GAUGE, OIL LEVEL	1	8671 -
2	7D-50010	Y	FILLER, BREATHER	1	8671 -
3	7A-15809	Y	PLATE, LID	1	8671 -
	2D-15800	Y	GASKET, LID PLATE	1	8671 -
	HA-06009	Y	SCREW, HEX HD, ¼-20 X 3/4	6	8671 -
N/S	FD-18220	Y	PLUG, 3/4, BOTTOM	1,2	8671 -
4	7A-15890	Y	MANIFOLD, HYDRAULIC OIL RETURN	1	8671 -
	3R-06510	Y	HYDRAULIC FILTER ASSEMBLY	1	8671 -
5	3R-06511	Y	FILTER HEAD (C/WITH ANTI-DRAIN CHECK VALVE)	1	8671 -
6	3R-06521	Y	FILTER ELEMENT	1	8671 -
7	3R-06523	Y	PRESSURE SWITCH	1	8671 -
8	F1-71220	Y	FITTING, 90° ELBOW, SPECIAL	1	8671 -
9	F1-71210	Y	FITTING, NIPPLE ADAPTOR, 20MB X 20FJ	1	8671 -
10	1K-0535B	Y	U-BOLT, 2 3/16, NO PLATE	1	8671 -
11	F1-67500	Y	FITTING, 90° ELBOW, 20MB X 20FJ	1	8671 -
12	F1-18040	Y	FITTING, PLUG, 08MB	3	8671 -
13	F1-75040	Y	FITTING, 45° ELBOW, 08MB X 06FS	1	8671 -
14	F1-69050	Y	FITTING, 90° ELBOW, 08MB X 06FS	3	8671 -
15	F1-69120	Y	FITTING, 90° ELBOW, 12MB X 12FS	1	8671 -
16	F1-64400	Y	FITTING, STRAIGHT, 12MB X 12FS	1	8671 -
N/S = NOT SHOWN (INSIDE TANK)					
N/S	FD-0136A	Y	NIPPLE, CLOSE, 1½	1	8671 -
N/S	3R-50055	Y	DIFFUSER	1	8671 -
N/S	FD-13360	Y	COUPLING, 1½	1	8671 -
	FD-0136M	Y	NIPPLE, 1½ X 3	1	8671 -
N/S	3R-50060	Y	STRAINER	1	8671 -
N/S	FD-04360	Y	STREET EL, 1½ X 90	1	8671 -

GROUP 7.060 HYDRAULIC CONTROL VALVES

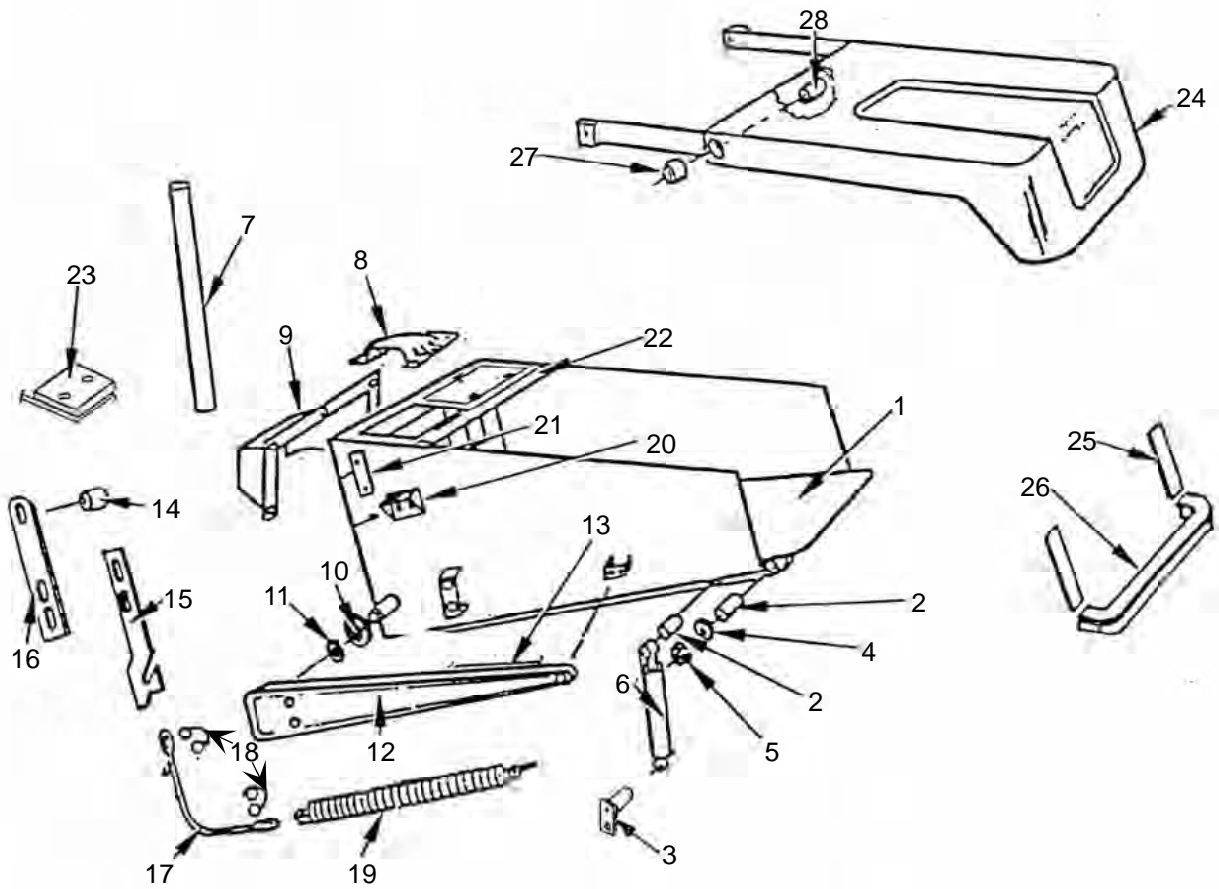


GROUP 7.060 HYDRAULIC CONTROL VALVES

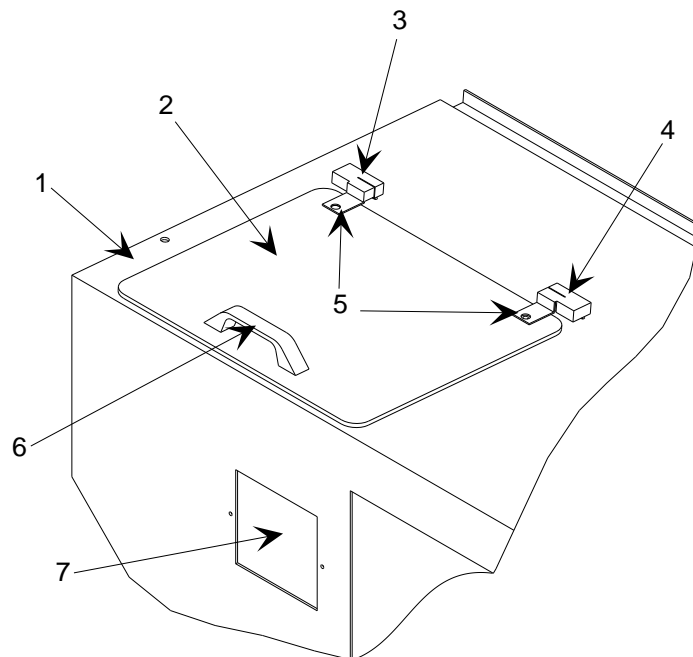
IND	PART NO	COMMON to 500	DESCRIPTION	QTY	SERIAL NO
1	2V-75060	Y	VALVE, HYDRAULIC CONTROL	2	8671 -
	2V-75065	Y	KIT, SEAL-HYDRAULIC CONTROL VALVES	2	8671 -
2	2V-75070	Y	HANDLE, STRAIGHT, CONTROL VALVE	2	8671 -
3	2V-75080	Y	HANDLE, BENT, CONTROL VALVE	2	8671 -
4	HM-17985	Y	NUT, ACORN	2	8671 -
5	HM-17982	Y	NUT, JAM	4	8671 -
6	46-05195	Y	BRACKET, TRAVEL STOP	2	8671 -
7	HA-08018	Y	SCREW, HEX HEAD, 5/16-18 X 2-1/2	6	8671 -
	HA-08860	Y	WASHER, FLAT, 5/16	6	8671 -
	HA-08981	Y	LOCKNUT, 5/16-18	6	8671 -
8	2V-75096	Y	END CAP ASSY, SPRING TO CENTER W/ ROD	1	8671 -
9	2V-75067	Y	END CAP SCREWS	2	8671 -
10	2V-75091	Y	COLLAR, MICROSWITCH ACTIVATOR	2	8671 -
11	2V-75094	Y	END CAP W/ HOLE	2	8671 -
12	2V-75095	Y	SWITCH ROD	1	8671 -
13	2V-75090	Y	END CAP ASSY, DETENT W/ ROD	1	8671 -
14	2V-75068	Y	HANDLE LINK CAP ASSY	1	8671 -
N/S	2V-75066	Y	END CAP, NO HOLE	1	8671 -



GROUP 8.010 SNOW TANK



SNOW TANK WINDOW DETAIL



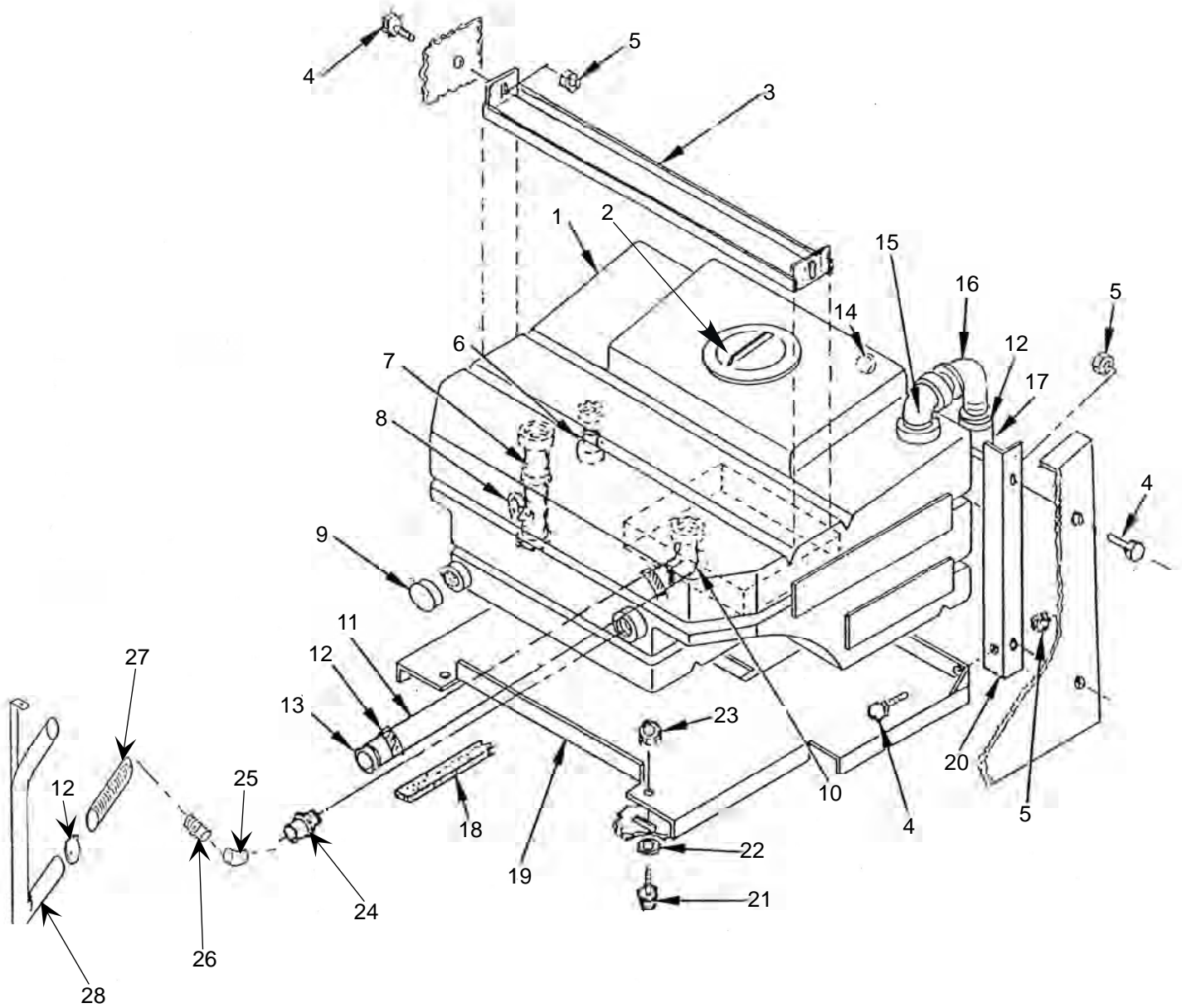
GROUP 8.010 SNOW TANK

IND	PART NO	COMMON to 500	DESCRIPTION	QTY	SERIAL NO
1	7A-15500	Y	WELDMENT ASSY., SNOW TANK	1	8671 -
2	16-70581	Y	PIN, PIVOT	4	8671 -
3	5T-70575	Y	BRACKET, CAPTURED PIN	2	8671 -
	HA-08009	Y	SCREW, HEX HEAD, 5/16-18 X 3/4	2	8671 -
	HA-08980	Y	NUT, HEX, 5/16-18	2	8671 -
	1Z-01580	Y	FITTING, GREASE, 1/8 NPT	2	8671 -
4	HA-30861	Y	WASHER, FLAT, 1	8	8671 -
5	HA-7064A	Y	E-RING, EXTERNAL, 1" SHAFT	10	8671 -
6	2X-2514A	Y	CYLINDER, SNOW TANK	2	8671 -
	2X-2514L	Y	SEAL KIT FOR CYLINDER 2X-2514A	1	8671 -
7	49-38590	Y	SAFETY STAND	1	8671 -
8	7D-73420	Y	VENT, SNOW TANK	1	8671 -
	HA-06011	Y	SCREW, HEX HEAD, 1/4-20 X 1	6	8671 -
	HA-06981	Y	NUT, LOCK, HEX, 1/4-20	6	8671 -
9	49-18380	Y	SNOW SHIELD, CLEAR PLASTIC	1	8671 -
	49-18370	Y	SNOW SHIELD, METAL (ONLY W/O PLASTIC WW TANK)	1	8671 -
10	41-42000	Y	PULLEY, LID LIFT	2	8671 -
11	HA-7028A	Y	E-RING, 7/16	2	8671 -
12	49-17680	Y	GUARD, SNOW TANK LID SPRING	2	8671 -
	HD-08984	Y	NUT, INSERT, 5/16-18	6	8671 -
	HA-08511	Y	SCREW, TRUSS HEAD, 5/16-18 X 1	6	8671 -
	HD-08862	Y	WASHER, FLAT, NYLON	6	8671 -
13	2H-0520A	Y	EDGE LINER, CAPPLUG	2	8671 -
14	10-19070	Y	BUSHING	2	8671 -
	HA-14016	Y	SCREW, HEX HEAD, 1/2-13 X 2	2	8671 -
	HA-14986	Y	NUT, HEX, 1/2-13	2	8671 -
15	4F-15870	Y	LID HOOK, LID LIFT ARM	2	8671 -
16	4F-15880	Y	LINK, LID LIFT ARM	4	8671 -
	HA-10014	Y	SCREW, HEX HEAD, 3/8-16 X 1 1/2	4	8671 -
	HA-10981	Y	NUT, NY-LOCK, 3/8-16	4	8671 -
17	33-40330	Y	CABLE, LID LIFT	2	8671 -
18	27-03210	Y	CLAMP, WIRE ROPE	4	8671 -
19	1L-38730	Y	SPRING, LID LIFT	2	8671 -
	HA-10980	Y	NUT, HEX, 3/8-16	2	8671 -
	HC-10215	Y	EYEBOLT & NUT, WIRE, 3/8 X 5	2	8671 -
20	5T-10010	Y	BRACKET, STOP ADJ.	2	8671 -
	HA-14213	Y	SCREW, CARRIAGE, 1/2-13 X 1 1/4	4	8671 -
	HA-14862	Y	WASHER, LOCK, 1/2	4	8671 -
	HA-14980	Y	NUT, HEX, 1/2-13	4	8671 -
21	7B-0520A	Y	WEAR STRIP	2	8671 -
	HA-06611	Y	SCREW, SKT, FLTHHEAD, 1/4-20 X 1	4	8671 -
	HA-06981	Y	NUT, LOCK, HEX, 1/4-20	4	8671 -
22	2F-0013C	Y	KIT, REAR SEAL, SNOW TANK LID	1	8671 -
23	8P-12680	Y	PAD & WASHER ASSY.	2	8671 -
	7A-15318	Y	SHIM, SNOW TANK, BACK, 1/8" THK	2	8671 -
	7A-15317	Y	SHIM, SNOW TANK, BACK, 1/4" THK	2	8671 -
	HA-10011	Y	SCREW, HEX HEAD, 3/8-16 X 1	4	8671 -
	HA-10981	Y	NUT, NYLOCK, 3/8-16	4	8671 -
24	7B-05860	Y	LID, SNOW TANK	1	8671 -
	7B-0521A	Y	WEAR PAD, PLASTIC	2	8671 -
	HA-06609	Y	SCREW, FLAT HEAD, 1/4-20 X 3/4	2	8671 -
	HA-06981	Y	NUT, LOCK, HEX, 1/4-20	2	8671 -
	7B-0522A	Y	BRACE ROD, RH	1	8671 -
	7B-0522B	Y	BRACE ROD, LH	1	8671 -
	HF-13980	Y	NUT, HEX HEAD, 7/16-20	4	8671 -
	HF-13981	Y	NUT, LOCK, HEX, 7/16-20	4	8671 -
N/S	KZ-0522A	Y	KIT, SNOW TANK LID ARM BRACE	1	8671 -

GROUP 8.010 SNOW TANK

IND	PART NO	COMMON to 500	DESCRIPTION	QTY	SERIAL NO
25	2F-00110	Y	SEAL, NEOPRENE	2	8671 -
26	2F-0010A	Y	SEAL, NEOPRENE	2	8671 -
27	10-2126A	Y	BUSHING	2	8671 -
	HD-1861M	Y	SCREW, HEX HEAD, 5/8-11 X 3/4. W/ZERK	2	8671 -
	HA-18860	Y	WASHER, FLAT, 5/8	4	8671 -
	HA-18986	Y	NUT, TRI-LOCK, 5/8-11	2	8671 -
28	13-3728A	Y	SPACER	2	8671 -
SNOW TANK WINDOW DETAIL					
1	7A-15500	Y	WELDMENT, SNOW TANK	1	8671 -
2	49-04401	Y	SNOW TANK WINDOW	1	8671 -
	2F-00160	Y	SEAL, SNOW TANK	8'	8671 -
	2H-0600A	Y	STRIP, MAGNETIC	1½'	8671 -
	ZR-54402	Y	TAPE, GLOSS BLACK, 1" WIDE	6'	8671 -
3	47-15500	Y	HING, SNOW TANK WINDOW, LH	1	8671 -
4	47-15505	Y	HING, SNOW TANK WINDOW, RH	1	8671 -
	HA-04704	Y	SCREW, FILLISTER HEAD, #10-32 X 3/8	4	8671 -
	HA-04706	Y	SCREW, FILLISTER HEAD, #10-32 X ½	4	8671 -
	HA-03862	Y	WASHER, LOCK, #10	4	8671 -
	HA-03867	Y	WASHER, FLAT, #10	4	8671 -
5	49-04405	Y	BRACKET, HINGE MOUNTING	2	8671 -
	49-04406	Y	BRACKET, LIMITER	1	8671 -
6	4A-40520	Y	HANDLE, SNOW TANK WINDOW	1	8671 -
7	7A-15525	Y	COVER PLATE	1	8671 -
	HA-04706	Y	SCREW, FILLISTER HEAD, #10-32 X ½	2	8671 -
	HA-04981	Y	NUT, LOCK, HEX, #10-32	2	8671 -
	HA-03867	Y	WASHER, FLAT, #10	2	8671 -
N/S	KZ-0522A	Y	SNOW TANK LID ARM BRACE (INCLUDES ALL * ITEMS)	1	8671 -
	7B-0521A	Y	PLASTIC WEAR PAD*	2	8671 -
	HA-06609	Y	SCREW, FLAT HEAD, ¼-20 X 3/4*	4	8671 -
	HA-06981	Y	NUT, LOCK, HEX, ¼-20*	4	8671 -
	7B-0522A	Y	BRACE ROD, RH*	1	8671 -
	7B-0522B	Y	BRACE ROD, LH*	1	8671 -
	HA-13860	Y	WASHER, FLAT, SAE, 7/16	4	8671 -
	HA-13980	Y	NUT, HEX, 7/16-20*	4	8671 -
	HA-13981	Y	NUT, LOCK, HEX, 7/16-20*	4	8671 -

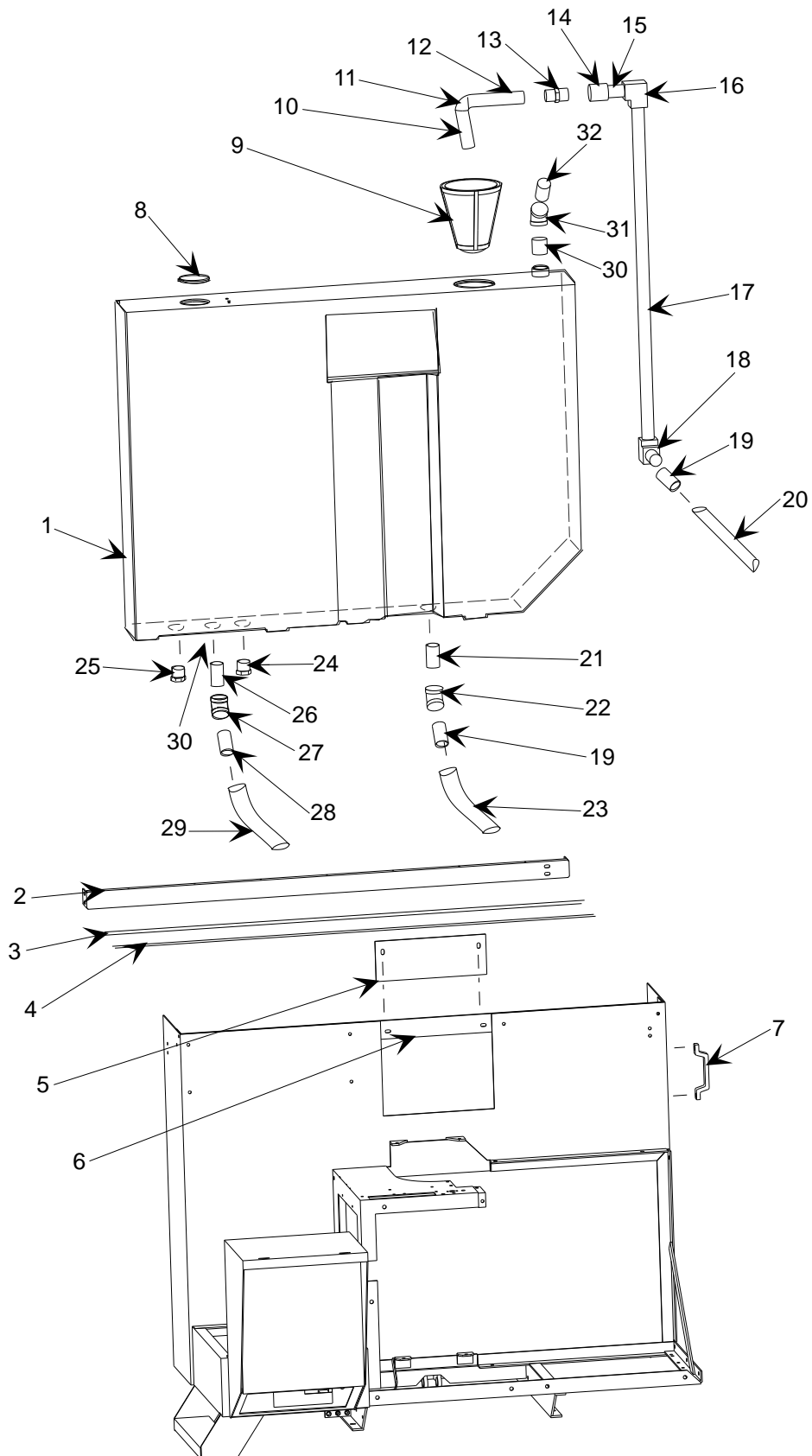
GROUP 9.010 ICE MAKING WATER TANK



GROUP 9.010 ICE MAKING WATER TANK

IND	PART NO	COMMON to 500	DESCRIPTION	QTY	SERIAL NO
1	7A-0530A	Y	ICE MAKING WATER TANK, XLINK	1	8671 - 9338
	7A-0530B	N	ICE MAKING WATER TANK, LINEAR	1	9339 -
2	7A-0520B	Y	COVER, ICE MAKING WATER TANK	1	8671 -
3	7A-05204	Y	CHANNEL, HOLD DOWN, PLASTIC TANK	1	8671 -
4	HF-08011	Y	SCREW, HEX HEAD, 5/16-18 X 1	8	8671 -
5	HA-08981	Y	NUT, HEX LOCK, 5/16-18	8	8671 -
6	FP-0800A	Y	PLUG, PLASTIC, 1/2 NPT	1	8671 -
7	FT-46048	Y	NIPPLE, PLASTIC, 2 X 3	1	8671 -
8	2V-33240	Y	VALVE, GATE, BRASS 2"	1	8671 -
9	FV-09162	Y	PLUG, PLASTIC, 1 1/2 NPT	1	8671 -
10	FF-04360	Y	STREET ELBOW, 1 1/2 X 90°	1	8671 -
	FD-15220	Y	REDUCING BUSHING, 1 1/2 X 1 1/4	1	8671 -
	FW-10080	Y	COMB. NIPPLE, 1 1/2 HOSE X 1 1/4 NPT	1	8671 -
11	RC-4146A	Y	HOSE, KANAFLEX, 1 1/2 X 62	1	8671 -
12	27-2036A	Y	CLAMP, HOSE, 2 3/4	5	8671 -
13	FW-10080	Y	FITTING, STRAIGHT, 20MP X 24HB	1	8671 -
14	FV-09164	Y	PLUG, PLASTIC, 2 NPT	1	8671 -
15	FP-32001	Y	FITTING, 90° STREET ELBOW, PLASTIC	1	8671 -
16	FP-3232A	Y	FITTING, 90° ELBOW, PLASTIC, 32MP X 32HB	1	8671 -
17	RC-43140	Y	HOSE, KANAFLEX, 2 X 35	1	8671 -
18	2F-00120	Y	SEAL, FOAM 1/4 X 3/4	8	8671 -
19	7A-00500	Y	TRAY, WATER TANK	1	8671 -
20	7A-05220	Y	SUPPORT, PLASTIC TANK SIDE PANEL	1	8671 -
21	HA-14013	Y	SCREW, HEX HEAD, 1/2-13 X 1 1/4	4	8671 -
22	HA-14860	Y	WASHER, FLAT, 1/2	4	8671 -
23	HA-14986	Y	NUT, HEX TRI-LOCK, 1/2-13	4	8671 -
24	FF-0141A	Y	NIPPLE, GALV., 2, CLOSE	1	8671 -
25	FF-03400	Y	FITTING, 45° ELBOW, GALV., 2	1	8671 -
26	FW-10110	Y	NIPPLE, COMB., 32MP X 32HB	1	8671 -
27	RC-42058	Y	HOSE, KANAFLEX, 2 X 14.5	1	8671 -
28	7A-05207	Y	FILL TUBE, STAINLESS	1	8671 -
N/S	5T-16065	Y	BRACKET, WATER TANK TRAY, NO BOARD BRUSH	1	8671 -

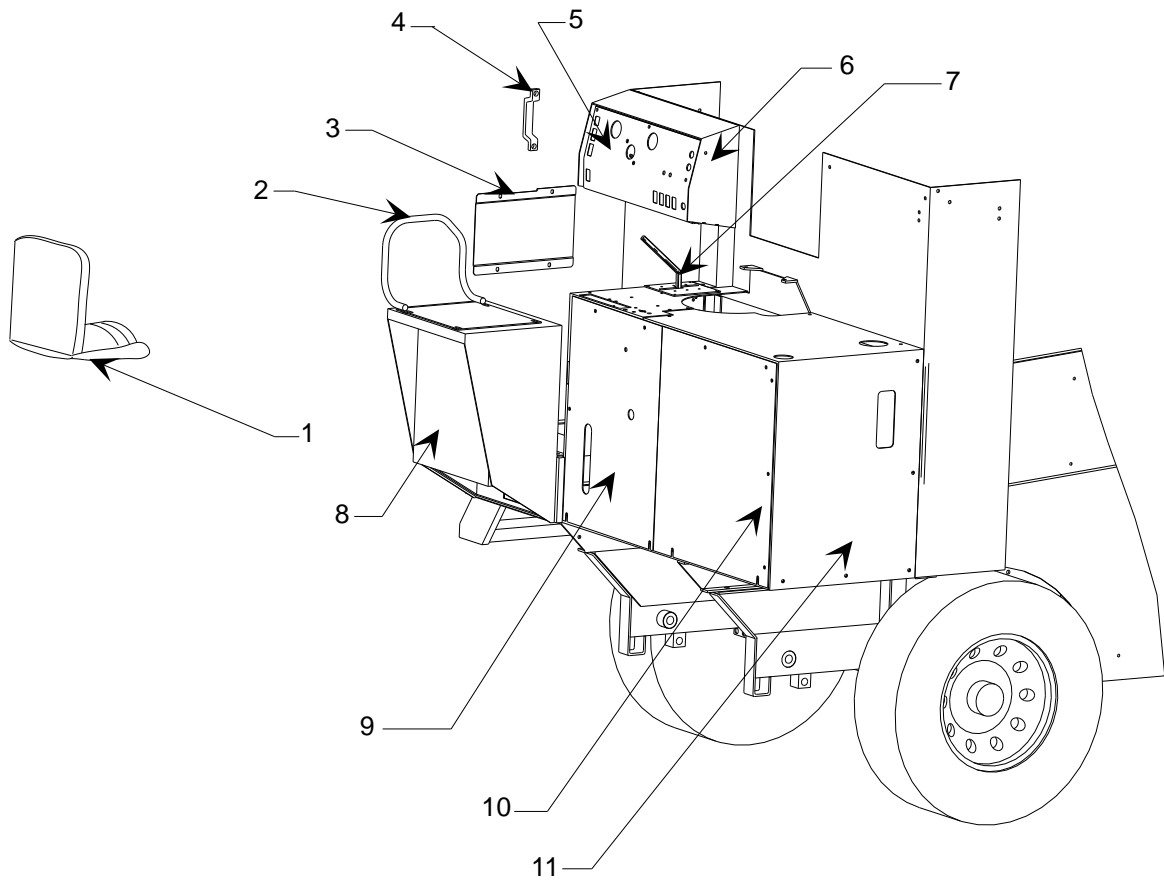
GROUP 9.020 WASH WATER TANKS W/O WASH WATER TRANSFER SYSTEM



GROUP 9.020 WASH WATER TANKS W/O WASH WATER TRANSFER SYSTEM

IND	PART NO	COMMON		DESCRIPTION	QTY	SERIAL NO
			to 500			
1	7A-05355	Y		PLASTIC WASH WATER TANK	1	8671 -
2	7F-05051	Y		STIFFENER	1	8671 -
	HF-10509	Y		SCREW, SS, BUTTON HD, 3/8-16 X 3/4	4	8671 -
	HF-10982	Y		NUT, SS, THIN, 3/8-16	4	8671 -
	HF-10860	Y		WASHER, SS, FLAT, 3/8	4	8671 -
	HF-10862	Y		WASHER, SS, LOCK 3/8	4	8671 -
3	2F-00140	Y		SEAL	5'	8671 -
4	7F-05070	Y		BRACKET, SNOW TANK SEAL	1	8671 -
	HF-06009	Y		SCREW, SS, HEX HEAD, 1/4-20 X 3/4	7	8671 -
	HF-06860	Y		WASHER, SS, FLAT 1/4	7	8671 -
	HF-06862	Y		WASHER, SS, LOCK, 1/4	7	8671 -
5	7F-05203	Y		AUGER OPENING FILLER, PLASTIC WW TANK	1	8671 -
	2F-00145	Y		TRIM SEAL	1	8671 -
6	7F-05066	Y		STIFFENER, PLASTIC WASH WATER TANK, TOP	1	8671 -
7	4A-40510	Y		HANDLE	1	8671 -
	HF-06106	Y		SCREW, SS, SOCKET HEAD CAP, 1/4-20 X 1/2	2	8671 -
	HF-06981	Y		NUT, SS, LOCK, 1/4-20	2	8671 -
	HF-06862	Y		WASHER, SS, LOCK, 1/4	2	8671 -
	HF-06860	Y		WASHER, SS, FLAT, 1/4-20	2	8671 -
8	7A-05357	Y		COVER	1	8671 -
9	7C-04885	Y		BASKET, SCREEN	1	8671 -
	49-04880	Y		SPLASH GUARD, BASKET	1	8671 -
	23-07030	Y		PIPE, WASH WATER RETURN LINE (INCLUDES ALL * ITEMS)	1	8671 -
10	4T-0916C	Y		HOSE, CLEAR, 1/4 X 6	1	8671 -
11	FP-2020C	Y		FITTING, 90° ELBOW, PLASTIC, 1/4	1	8671 -
12	4T-0914C	Y		HOSE, CLEAR, 1/4 X 4	1	8671 -
13	FP-2020B	Y		FITTING, STRAIGHT, PLASTIC, 20MP X 20HB	1	8671 -
14*	FV-33560	Y		FITTING, PLASTIC, COUPLING, 20MP	1	8671 -
15*	FV-64016	Y		NIPPLE, PLASTIC, 1/4 X 2	1	8671 -
16*	FV-02561	Y		FITTING, PLASTIC, 90° ELBOW, 20FP X 1/4 SLIP	1	8671 -
17*	FV-64384	Y		PIPE, PLASTIC, 1/4 X 47 1/2	1	8671 -
18*	FV-02562	Y		FITTING, PLASTIC, 90° ELBOW, 20FP X 20FP	1	8671 -
19	FW-10080	Y		FITTING, STRAIGHT, 20MP X 24HB	2	8671 -
20	RC-4110A	Y		HOSE, KANAFLEX, 1 1/2 X 29	1	8671 -
21	FV-2605A	Y		NIPPLE, PLASTIC, 1/4 X 3	1	8671 -
22	FV-05060	Y		FITTING, 45° ELBOW, 20FP	1	8671 -
23	RC-4114A	Y		HOSE, KANAFLEX, 1 1/2 X 37 1/2	1	8671 -
24	FV-09162	Y		FITTING, PLASTIC PLUG, 1 1/2	1	8671 -
25	FV-09164	Y		FITTING, PLASTIC PLUG, 2	1	8671 -
26	FV-2700A	Y		NIPPLE, CLOSE, 1 1/2	1	8671 -
27	FV-05572	Y		FITTING, PLASTIC, 45° ELBOW, 1 1/2	1	8671 -
28	FP-2426B	Y		FITTING, PLASTIC, STRAIGHT, 24MP X 24HB	1	8671 -
29	4T-0312A	Y		HOSE, CLEAR, 1 1/2 X 24	2'	8671 -
30	NPN-0335	Y		FITTING, 1-1/4" NPT BULKHEAD	1	8671 -
N/S	FV-2637C	Y		PIPE (INSIDE PLASTIC TANK)	1	8671 -
N/S	5T-05320	Y		BRACKET (INSIDE PLASTIC TANK)	1	8671 -
	HF-06509	Y		SCREW, SS, THRUSS HD, 1/4-20 X 3/4	2	8671 -
N/S	2F-19745	Y		SEAL, WASHWATER TANK	2	8671 -
	7F-05054	Y		BRACKET, SEAL	2	8671 -
	HD-06670	Y		CLIP, FLAT HEAD, PLASTIC, .250" DIA.	4	8671 -
	HF-06510	Y		NUT, HEX LOCK, SS, 1/4-20	4	8671 -
	HD-08862	Y		NYLON FLAT WASHER, 5/16" ID x .062 THICK	4	8671 -
	HF-06006	Y		SCREW, HEX HD, 1-4/20 X 1/2, SS	4	8671 -
N/S	5T-01030	N		SHIM, DOWN-PRESSURE, 1/2"	2	8671 -
	5T-01031	N		SHIM, DOWN-PRESSURE, 1/4"	2	8671 -
9.020-1						9.020-1

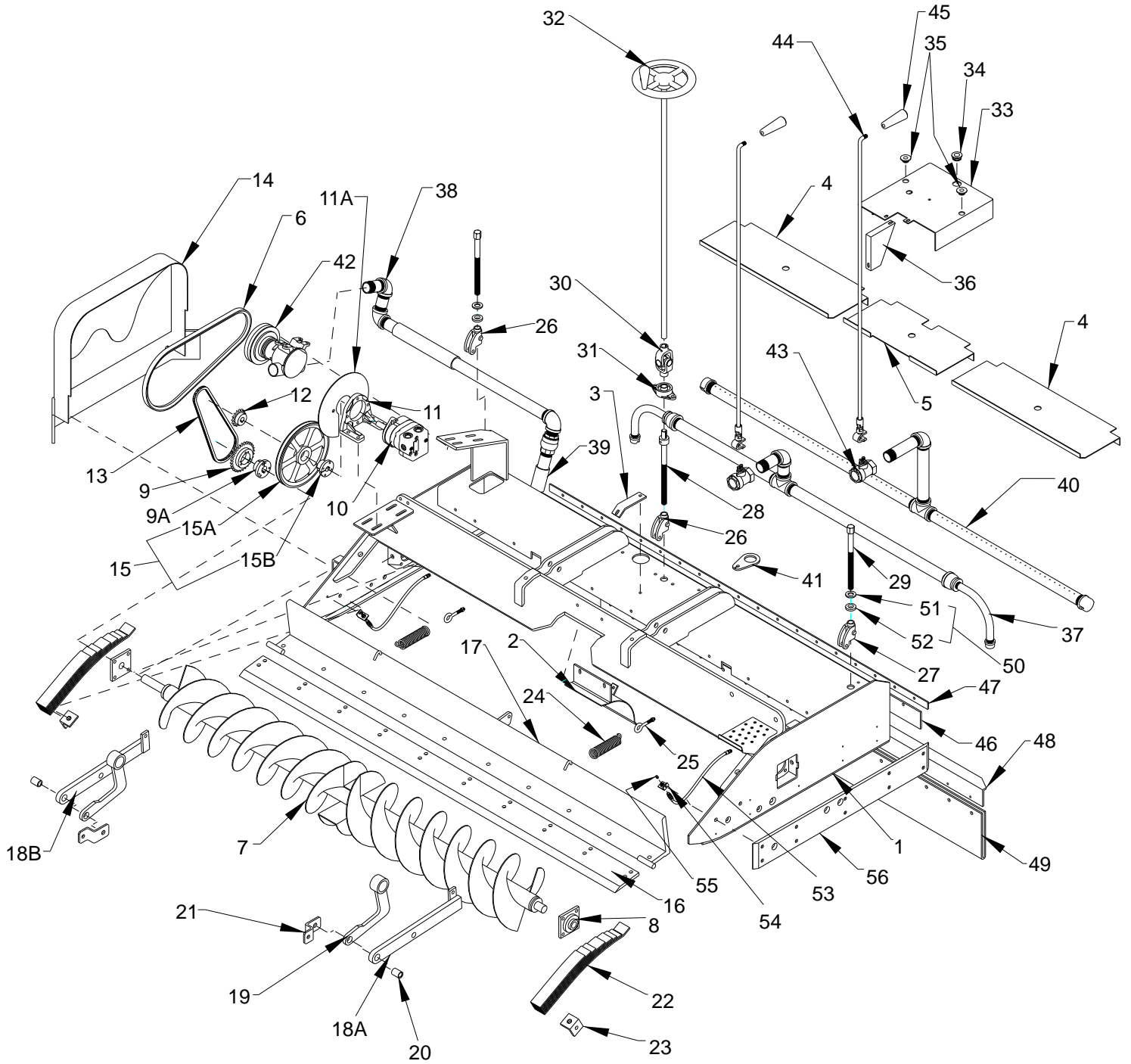
GROUP 10.010 OPERATOR'S AREA



GROUP 10.010 OPERATOR'S AREA

IND	PART NO	COMMON to 500	DESCRIPTION	QTY	SERIAL NO
1	7H-72900	Y	SEAT ASSEMBLY	1	8671 -
2	7H-1524C	Y	HAND RAIL	1	8671 -
	HF-08904	Y	LOCKNUT, NYLON INSERT, 5/16-18, SS	4	8671 -
	HF-08860	Y	WASHER, FLAT, 5/16, SS	4	8671 -
N/S	7H-0520A	Y	SEAT BELT, RETRACTABLE	1	8671 -
	HA-14011	Y	SCREW, HEX HEAD, 1/2-13 X 1	1	8671 -
	HA-14861	Y	WASHER, FLAT, SAE 1/2-13	1	8671 -
	HA-14986	Y	NUT, HEX, TRI-LOCK, 1/2-13	1	8671 -
3	7F-05026	Y	COVER, ACCESS PANEL	1	8671 -
	HA-06900	Y	NUT, SPEED "J" TYPE, 1/4-20	4	8671 -
	HF-06505	Y	SCREW, SS, 1/4-20 X 3/4	4	8671 -
	HF-06862	Y	LOCKWASHER, SS, 1/4	4	8671 -
	HF-06861	Y	FLAT WASHER, SS, 1/4 SAE	4	8671 -
	HD-13861	Y	FLAT WASHER, NYLON, 1/4	4	8671 -
4	4A-40510	Y	HANDLE	1	8671 -
5	46-05515	Y	DASH, HINGED	1	8671 -
	HA-72902	Y	SPEED NUT, 5/16-18	6	8671 -
	HA-08509	Y	SCREW, BUTTON HEAD, 5/16-18 X 3/4	6	8671 -
6	46-05540	Y	INSTRUMENT PANEL, HINGED FACE	1	8671 -
	HA-10011	Y	SCREW, HEX HEAD, 3/8-16 X 1	4	8671 -
	HA-10981	Y	NUT, HEX, NY-LOCK, 3/8-16	4	8671 -
	27-30010	Y	CLAMP, WIRE HARNESS	1	8671 -
	33-0010B	Y	CABLE, INSTRUMENT PANEL SUPPORT	1	8671 -
7	32-06525	N	ASSY., SINGLE HAND LEVER CONTROL	1	8671 -
8	7H-05220	Y	SUPPORT, OPERATOR'S SEAT	1	8671 -
9	46-15394	Y	REAR PANEL, LEFT	1	8671 -
	HA-08009	Y	SCREW, HEX HEAD, 5/16-18 X 3/4	4	8671 -
	HA-08862	Y	WASHER, LOCK, 5/16	5	8671 -
	HA-08860	Y	WASHER, FLAT, 5/16	5	8671 -
	HD-08862	Y	WASHER, PLASTIC, 5/16	5	8671 -
	HA-08900	Y	NUT, SPEED "J" TYPE, 5/16	5	8671 -
	HD-08007	Y	STUD, 5/16-18 X 1 3/4	1	8671 -
	HA-08990	Y	NUT, WING, 5/16-18	1	8671 -
10	46-15400	Y	REAR PANEL, RIGHT(GASOLINE ONLY)	1	8671 -
	HA-08009	Y	SCREW, HEX HEAD, 5/16-18 X 3/4	6	8671 -
	HA-08862	Y	LOCKWASHER, 5/16	7	8671 -
	HA-08860	Y	WASHER, FLAT, 5/16	7	8671 -
	HD-08862	Y	WASHER, PLASTIC, 5/16	7	8671 -
	HA-08900	Y	NUT, SPEED "J" TYPE, 5/16	7	8671 -
	HD-08007	Y	STUD, 5/16-18 X 1 3/4	1	8671 -
	HA-08990	Y	NUT, WING, 5/16-18	1	8671 -
11	46-15212	Y	REAR PANEL, TOP RIGHT	1	8671 -
	HA-08009	Y	SCREW, HEX HEAD, 5/16-18 X 3/4	7	8671 -
	HA-08862	Y	LOCKWASHER, 5/16	7	8671 -
	HA-08900	Y	NUT, SPEED "J" TYPE, 5/16	6	8671 -
	HD-08862	Y	WASHER, PLASTIC, 5/16	7	8671 -

GROUP 11.010 ICE CONDITIONER



GROUP 11.010 ICE CONDITIONER

IND	PART NO	COMMON to 500	DESCRIPTION	QTY	SERIAL NO
	5F-74500	Y	COND ASSY. (LESS MOTOR, PUMP, VALVES, BLADE)		8671 -
1	5H-75160	Y	FRAME WELDMENT, PRIMED	1	8671 -
2	49-39590	Y	SNOW SHIELD	1	8671 -
	HF-10013	Y	SCREW, S.S., HEX HEAD, 3/8-16 X 1¼	2	8671 -
	HF-10860	Y	WASHER, S.S., FLAT, 3/8	2	8671 -
	HF-10981	Y	NUT, S.S., HEX, NY-LOCK, 3/8-16	2	8671 -
3	5T-10210	Y	BRACKET, SNOW SHIELD	1	8671 -
	HF-10009	Y	SCREW, S.S., HEX HEAD, 3/8-16 x 3/4	1	8671 -
	HF-10862	Y	WASHER, S.S., LOCK, 3/8	1	8671 -
4	46-77490	Y	COVER, CONDITIONER, END	2	8671 -
5	46-39760	Y	COVER, CONDITIONER, CENTER	1	8671 -
6	42-75440	Y	BELT, WATER PUMP DRIVE 51"	1	8671 -
7	5A-38250	Y	CONVEYOR SCREW, HORIZONTAL	1	8671 -
8	1X-33490	Y	BALL BEARING, FLANGED	2	8671 -
	HF-12313	Y	SCREW, S.S., SOCKET FLAT HEAD, 7/16-14 X 1¼	4	8671 -
	HF-12013	Y	SCREW, S.S., HEX HEAD, 7/16-14 X 1¼	8	8671 -
	HF-12981	Y	NUT, S.S., HEX, LOCK, 7/16-14	8	8671 -
9	43-73370	N	SPROCKET, 35 TEETH	1	8671 -
9A	43-73380	Y	BUSHING, TAPER LOCK, 1 INCH BORE	1	8671 -
	15-02116	Y	KEY, ¼ SQUARE X 1½	1	8671 -
10	2M-75700	N	MOTOR, HYD, HORIZONTAL CONVEYOR (CASAPPA)	1	8671 -
	HF-10013	Y	SCREW, S.S., HEX HEAD, 3/8-16 X 1¼	2	8671 -
	2M-7570B	N	KIT, SEAL, CASAPPA	1	8671 -
11	2M-53160	Y	BRACKET, MOTOR MOUNTING	1	8671 -
	HF-10013	Y	SCREW, HEX HEAD, 3/8-16 X 1¼	4	8671 -
	HF-10860	Y	WASHER, S.S., FLAT, 3/8	4	8671 -
	HF-10981	Y	NUT, S.S., HEX, LOCK, 3/8-16	4	8671 -
			(*JACK BOLTS, QTY (2) EA: HA-12719, HA-12980, HA-12862, HA-12860)		
11A	49-77220	Y	SHIELD, PULLEY, MOTOR MOUNTING	1	8671 -
12	43-39290	Y	SPROCKET, 15 TEETH	1	8671 -
	15-01125	Y	KEY, 3/16 SQUARE X 2	1	8671 -
13	44-73480	N	CHAIN, CONVEYOR DRIVE, 75 PITCH (35 TOOTH)	1	8671 -
	44-4001C	Y	CONNECTING LINK, CHAIN	1	8671 -
	44-4001D	Y	HALF LINK, OFFSET	1	8671 -
14	49-72090	Y	GUARD, CONVEYOR CHAIN	1	8671 -
	HF-18313	Y	SCREW, S.S. SKT FLT HEAD, 5/8-11 X 1¼	2	8671 -
15	KZ-7717A	Y	KIT, SHEAVE & BUSHING W/INSTRUCTIONS	1	8671 -
15A	41-77240	Y	SHEAVE (ONLY)	1	8671 -
15B	41-77210	Y	BUSHING (ONLY)	1	8671 -
16	5K-33630	Y	BLADE, CONDITIONER	1	8671 -
	HF-14316	Y	SCREW, S.S. STEEL SKT FLAT HEAD, ½-13 X 2	10	8671 -
	HF-14862	Y	WASHER, S.S., LOCK, ½	10	8671 -
	HF-14980	Y	NUT, S.S., HEX, ½-13	10	8671 -
N/S	5K-0520A	Y	BLADE PROTECTOR, PLASTIC	1	8671 -

Group 11.010 ICE CONDITIONER

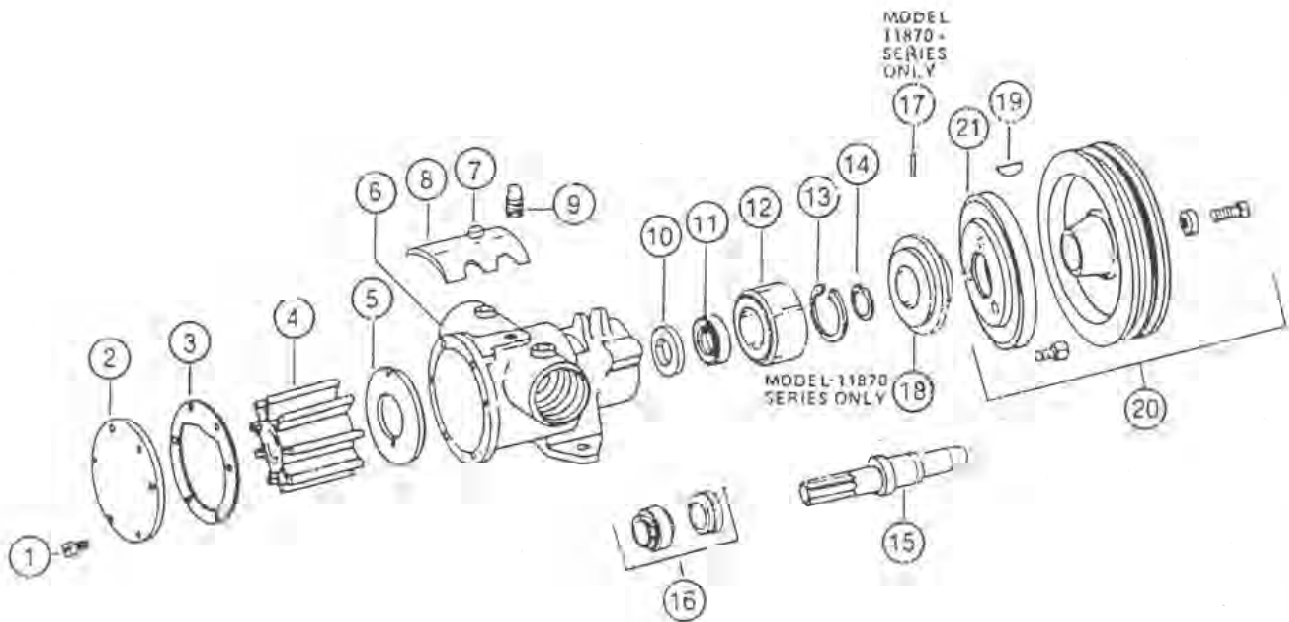
IND	PART NO	COMMON to 500	DESCRIPTION	QTY	SERIAL NO
17	5K-78890	Y	BAR, BLADE SUPPORT	1	8671 -
18	5F-33410	Y	ARM, BLADE FULCRUM, LEFT	1	8671 -
18	5F-33420	Y	ARM, BLADE FULCRUM, RIGHT	1	8671 -
19	5F-33455	Y	ARM, BLADE HAMMER, LEFT OR RIGHT	2	8671 -
20	13-22160	Y	SPACER, FULCRUM ARM	2	8671 -
	HF-18318	Y	SCREW, S.S., SOCKET FLAT HEAD, 5/8-11 X 2½	1	8671 -
	HF-18018	Y	SCREW, S.S., HEX HEAD, 5/8-11 X 2½	1	8671 -
	HF-18860	Y	WASHER, S.S., FLAT, 5/8	2	8671 -
	HA-18987	Y	NUT, THIN, TRI-LOCK, 5/8-11	2	8671 -
21	5T-10220	Y	BRACKET, HAMMER ARM SUPPORT	2	8671 -
	HF-14313	Y	SCREW, S.S., SOCKET FLAT HEAD, ½-13 X 1¼	1	8671 -
	HF-14013	Y	SCREW, S.S., HEX HEAD, ½-13 X 1¼	1	8671 -
	HA-14986	Y	NUT, HEX TRI-LOCK, ½-13	2	8671 -
22	1L-33481	Y	LEAF SPRING	2	8671 -
	HD-2251L	Y	SET-SCREW, SQUARE HEAD, 3/4-10 X 3	2	8671 -
23	5T-16100	Y	BRACKET, LEAF SPRING SUPPORT	2	8671 -
	HF-14313	Y	SCREW, S.S., SOCKET FLAT HEAD, ½-13 X 1¼	1	8671 -
	HF-14013	Y	SCREW, S.S., HEX HD, ½-13 X 1¼	1	8671 -
	HA-14986	Y	NUT, HEX TRI-LOCK, ½-13	2	8671 -
24	1L-33580	Y	EXTENSION SPRING	2	8671 -
25	HC-1011X	Y	EYE BOLT	2	8671 -
	HF-10980	Y	NUT, HEX, 3/8-16	2	8671 -
26	36-3393B	N	CLEVIS ASSY, BLADE ADJUSTING, RH & CENTER	2	8671 -
27	36-3393C	N	CLEVIS ASSY, BLADE ADJUSTING, LH	1	8671 -
	16-35000	N	CLEVIS PIN, 1/2-1-1/2	3	8671 -
28	5F-33510	Y	ADJUSTING SCREW, BLADE ANGLE	1	8671 -
29	5F-37340	Y	ADJUSTING SCREW, BLADE HEIGHT	2	8671 -
30	2B-33570	Y	UNIVERSAL JOINT, BLADE ADJUSTING	1	8671 -
	15-01100	Y	KEY, 3/16 SQUARE X 1	1	8671 -
	15-01016	Y	KEY, 3/16 SQUARE X ½	1	8671 -
31	1X-0440A	Y	BEARING, BLADE ADJUSTING HANDWHEEL	1	8671 -
	HF-10011	Y	SCREW, HEX HD, 3/8-16 X 1, SS	2	8671 -
	HF-10981	Y	NYLON NUT, HEX LOCK, 3/8-16, SS	2	8671 -
32	4C-1873A	Y	HANDWHEEL & ROD ASSY, BLADE ANGLE ADJUSTING	1	8671 -
33	38-16530	Y	GUIDE PANEL, CONDITIONER CONTROLS	1	8671 -
34	4X-0500B	Y	NYLON GROMMET, .80 I.D.	1	8671 -
	HA-7080A	Y	RETAINER, NYLON GROMMET	1	8671 -
35	4X-0500C	Y	NYLON GROMMET, .60 E.D.	2	8671 -
	HA-7056A	Y	RETAINER, NYLON GROMMET	2	8671 -
36	5T-40030	Y	BRACKET, ROD GUIDE BRACE	1	8671 -
	HF-08009	Y	SCREW, HEX HD, 5/16-18 X 3/4	1	8671 -
	HF-08981	Y	NUT, S.S., HEX, LOCK, 5/16-18	1	8671 -
	HF-08862	Y	WASHER, S.S., LOCK, 5/16	1	8671 -
	HF-08860	Y	WASHER, S.S., FLAT, 5/16	1	8671 -
37	5X-70690	Y	WASH WATER DISCHARGE ASSY	1	8671 -
38	KZ-72270	Y	WASH WATER SUCTION ASSY (INCL CHECK VALVE)	1	8671 -
	2V-10050	Y	CHECK VALVE	1	8671 -
	FF-0131A	Y	NIPPLE, 1¼, CLOSED	1	8671 -
	FW-43652	Y	NIPPLE, 1¼ X 3½	1	8671 -

Group 11.010 ICE CONDITIONER

IND	PART NO	COMMON to 500	DESCRIPTION	QTY	SERIAL NO
39	RE-5012A	Y	HOSE, 1-5/8 X 3½	1	8671 -
	27-2028A	Y	CLAMP, 1-5/8 HOSE	1	8671 -
N/S	5T-10180	Y	SUPPORT BRACKET, SUCTION/DISCHARGE ASSY.	1	8671 -
	HA-10020	Y	SCREW, HEX HD, 3/8-16 X 3	1	8671 -
	HA-10981	Y	NUT, HEX, NY-LOCK, 3/8-16	1	8671 -
40	5X-70680	Y	ICE MAKING WATER DISCHARGE ASSY.	1	8671 -
	5X-0520A	Y	ICE MAKING WATER DISCHARGE ASSY, SS	1	8671 -
41	5T-10170	Y	BRACKET, DISCHARGE SUPPORT	1	8671 -
	HF-10009	Y	SCREW, S.S., HEX HEAD, 3/8-16 X 3/4	1	8671 -
	HF-10862	Y	WASHER, S.S., LOCK, 3/8	1	8671 -
42	2P-37570	Y	PUMP, WASH WATER	1	8671 -
	HF-10013	Y	SCREW, S.S., HEX HEAD, 3/8-16 X 1¼	4	8671 -
	HF-10860	Y	WASHER, S.S., FLAT, 3/8	8	8671 -
	HF-10981	Y	NUT, S.S., HEX, LOCK, 3/8-16	4	8671 -
	2P-33850	Y	IMPELLER, WATER PUMP	1	8671 -
	2A-6000H	Y	CLUTCH ASSY, WATER PUMP (INCLUDES COIL)	1	8671 -
	8F-37470	Y	COIL, WATER PUMP CLUTCH	1	8671 -
	84-37570	Y	IMPELLER PULLER	1	8671 -
43	2V-79701	Y	BALL VALVE, 1¼	2	8671 -
	KZ-79701	Y	KIT, VALVE STEM NUT	1	8671 -
	2F-79701	Y	SEAL KIT	1	8671 -
44	4E-16490	Y	ROD, ICE MAKING & WASH WATER CONTROL	2	8671 -
45	4B-31460	Y	HANDLE, CONTROL ROD	2	8671 -
46	5M-33550	Y	SQUEEGEE	1	8671 -
47	1M-33560	Y	STRAP, SQUEEGEE RETAINING	1	8671 -
	HF-10013	Y	SCREW, S.S., HEX HEAD, 3/8-16 X 1-1/4	19	8671 -
	HF-10981	Y	NUT, S.S., HEX, NYLOCK, 3/8-16	19	8671 -
N/S	4R-00300	Y	LOWER SUPPORT BRCKT PVC	2	8671 -
48	5R-33600	Y	BAR, WATER SPREADER SUPPORT	1	8671 -
49	5P-33620	Y	TOWEL, WATER SPREADER	1	8671 -
	HF-08311	Y	SCREW, S.S., SKT FLAT HEAD, 5/16-18 X 1	17	8671 -
	HF-08981	Y	NUT, S.S., LOCK, 5/16-18	17	8671 -
50	5K-33640	Y	KIT, BEARING & WASHERS, BLADE ADJUSTING	2	8671 -
51	HF-22860	Y	WASHER, S.S., FLAT, 3/4	2	8671 -
52	1X-13500	Y	THRUST BEARING, BLADE ADJUSTING	2	8671 -
53	PL-0056B	Y	HOSE, REMOTE GREASING	2	8671 -
54	5T-30100	Y	BRACKET, REMOTE GREASING COUPLING	2	8671 -
55	1Z-01580	Y	FITTING, GREASE, REMOTE GREASING	2	8671 -
56	5H-0501A	Y	POLY-RUNNER, CONDITIONER	1	8671 -
	HF-06309	Y	SCREW, SS, SHCS, 1/4-20 X 5/8	10	8671 -
N/S	2H-08000	Y	TAPE, ANTI-SLIP, (FT.)	2.7'	8671 -
N/S	HA-12719	N	HYDRAULIC MOTOR JACK BOLT, 7/16-14, 2-3/4	2	8671 -
	HA-12980	N	NUT, 7/16-14	2	8671 -
	HA-12862	N	WASHER, SPLIT, 7/16	2	8671 -
	HA-12860	N	FLAT WASHER, USS, 7-16	2	8671 -

EXPLODED VIEW

TO REMOVE PULLEY
USE HF-18018, 5/8-11



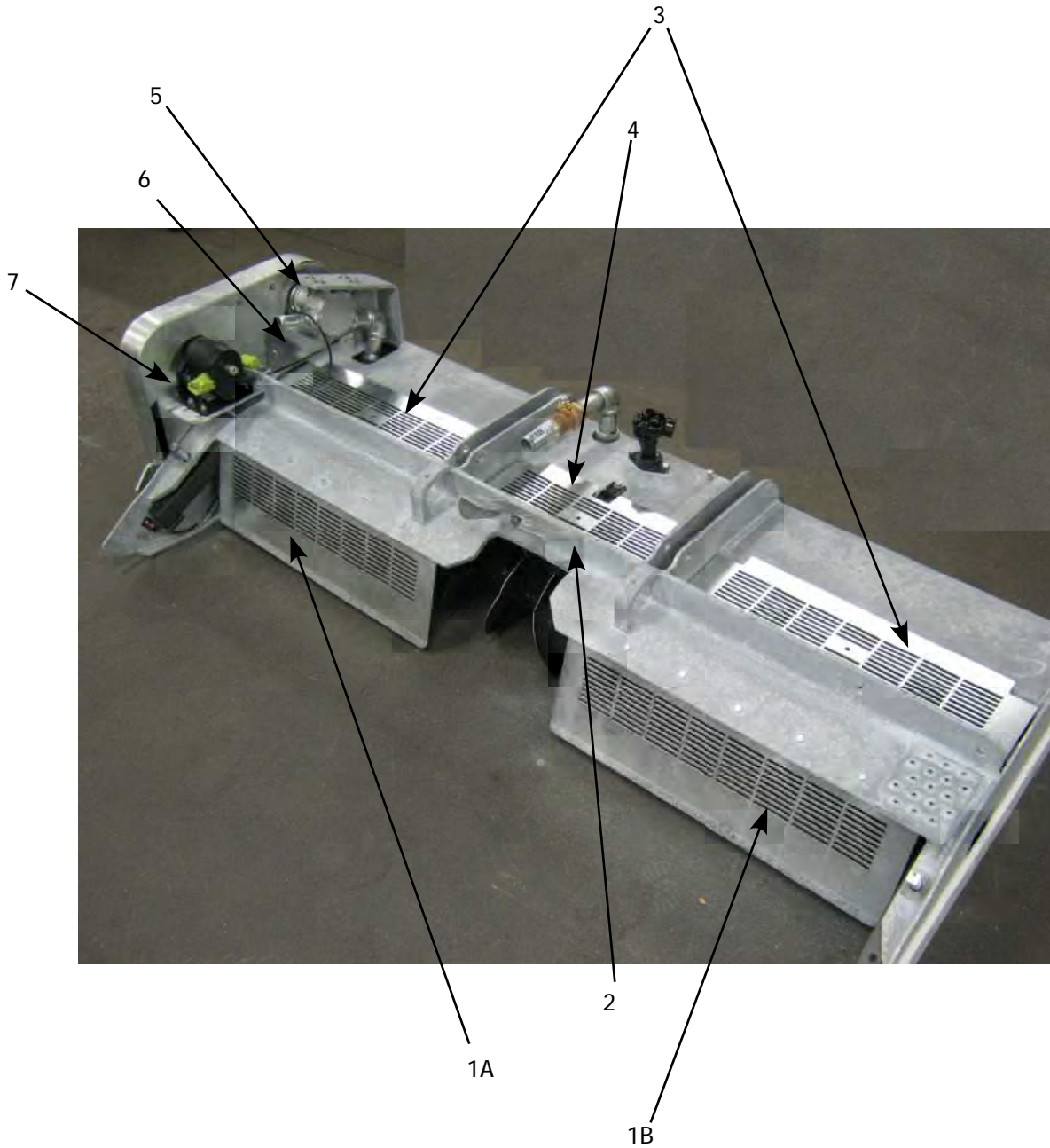
PARTS LIST FOR 2P-37570 OR 3874 WATER PUMP

KEY	DESCRIPTION	QUANTITY REQUIRED	PART NUMBER	KIT 3758	KIT 3759	KIT 3760
1	Screw (End Cover)	5	9366	+		
2	End Cover	1	9358	+		
3	Gasket	1	816	+		
4	Impeller	1	2P-33850 - Rubber 2P-33851 - Synthetic; 2P-33852 - Blue/Run dry			*
5	Wear Plate	1	819	+		
6	Body	1	2P-37575			
7	Screw (Carn)	1	HD-0640P			
8	Carn, Brass	1	9367	+		
8	Pipe Plug	2	FL-18070			
10	Slinger	1	2P-3757A			
11	Seal (Bearing)	1	817		*	
12	Ball Bearing (Pump)	1	9404			
13	Retaining Ring (Bearing to Body)	1	HA-7152A			
14	Retaining Ring (Bearing to Shaft)	1	HA-7076A			
15	Shaft	1	19-07000		+	*
16	Seal (Shaft)	1	9359	+	*	*
17	Roll Pin (Adaptor)	2	15-81230			
18	Adaptor	1	2P-37580			
19	Key (Clutch Drive)	1	15-70505		*	
20	Clutch Assy, Complete 12V	1	2A-6000H			
21	Field Coil (Replacement)	1	8F-37470			

- ◆ = Kit, General Water Pump Repair Z[®] Part No. 3758
- ▼ = Kit, Water Pump Shaft Replacement Z[®] Part No. 3759
- * = Kit, Service Water Pump Z[®] Part No. 3760

GROUP 11.010 ICE CONDITIONER (CONT'D)

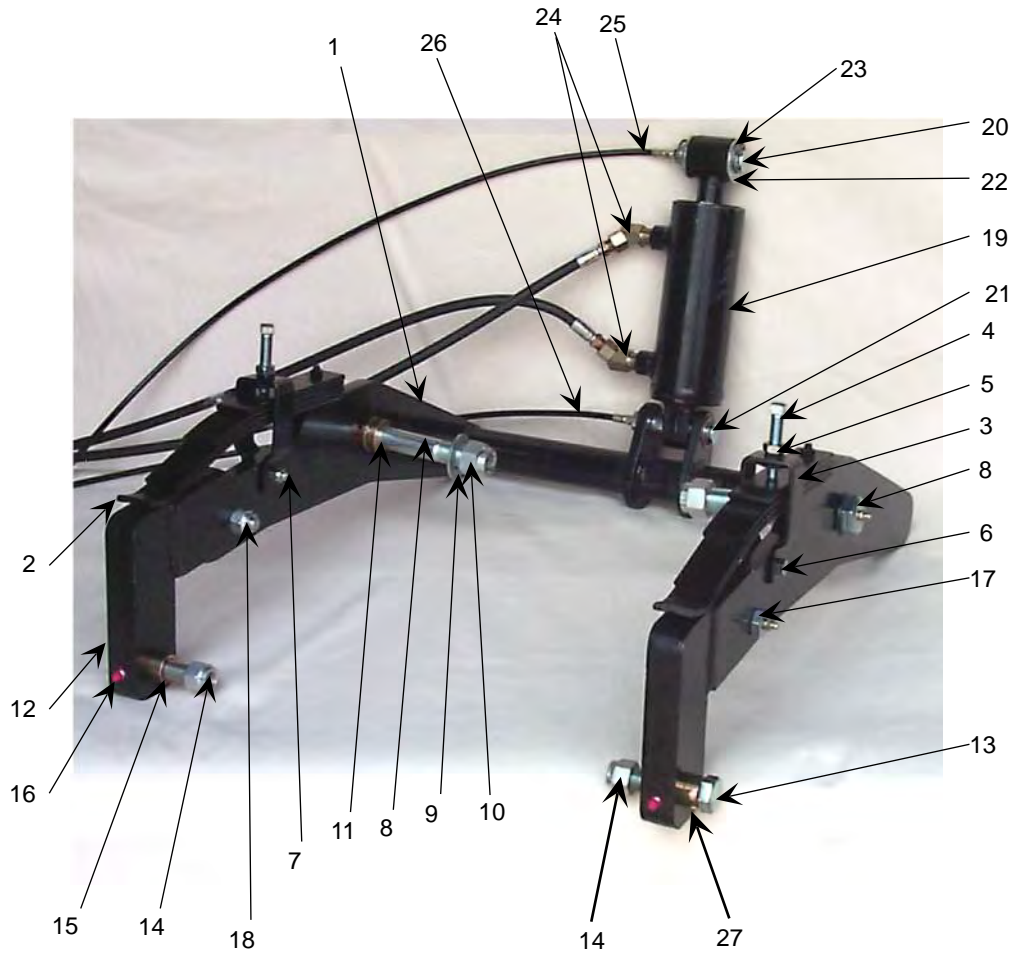
CONDITIONER GUARDS



Group 11.010 ICE CONDITIONER (CONT'D)

IND	PART NO	COMMON to 500	DESCRIPTION	QTY	SERIAL NO
<u>CONDITIONER GUARDS</u>					
1A	46-77500		GUARD, HORIZ AUGER, FRONT RIGHT	1	10032 -
1B	46-77505		GUARD, HORIZ AUGER, FRONT LEFT	1	10032 -
2	46-77510		GUARD, VERTICAL AUGER INLET	1	10032 -
3	46-77492		COVER, OUTER, CONDITIONER	2	10032 -
4	46-39762		COVER, CENTER, CONDITIONER	1	10032 -
5	49-72097		GUARD, WASHWATER PUMP	1	10032 -
6	49-72098		SHIELD, WASHWATER PUMP	1	10032 -
7	49-72099		GUARD, HORIZ AUGER DRIVE SPROCKET	1	10032 -

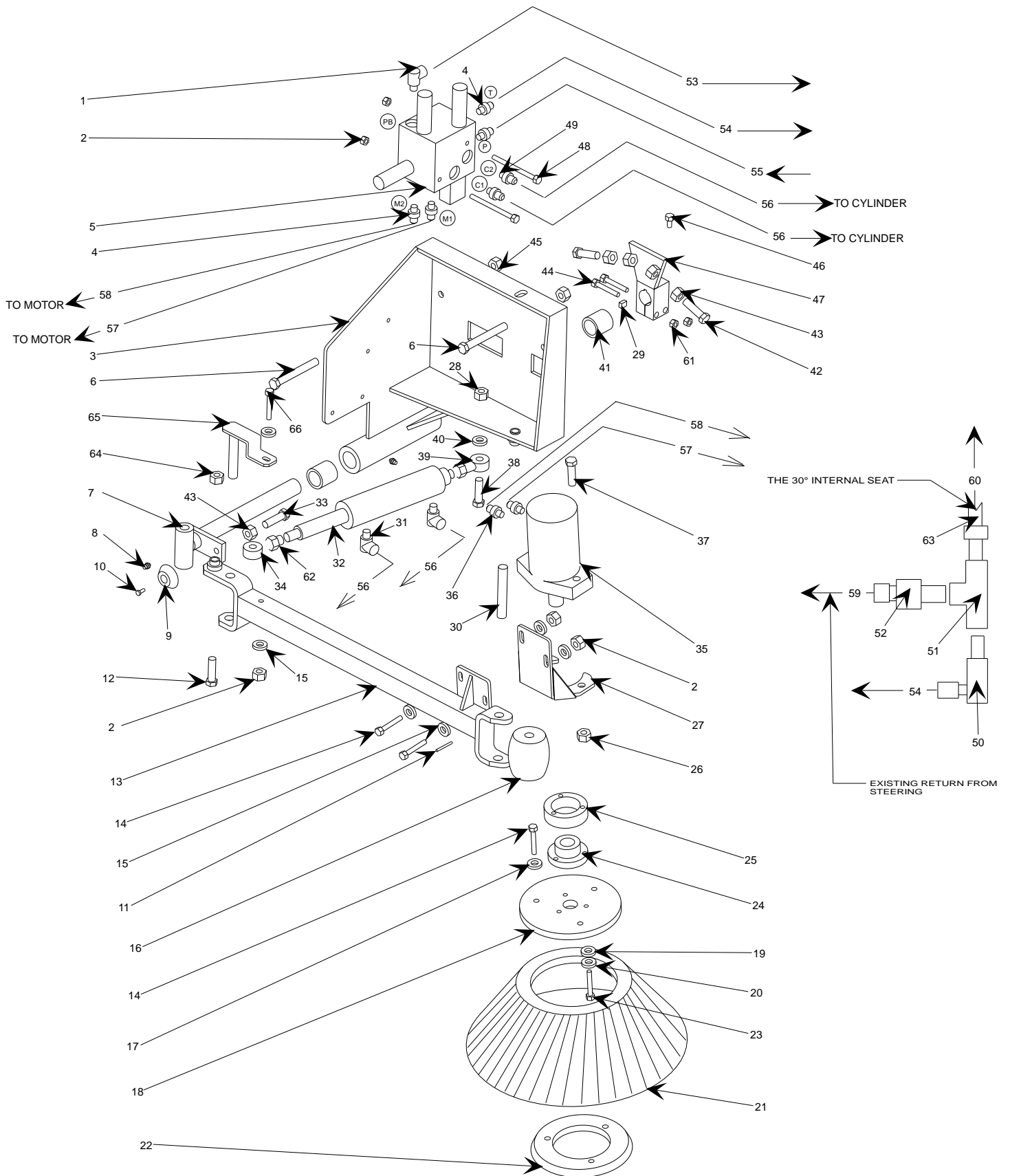
GROUP 11.020 CONDITONER LIFT



Group 11.020 CONDITIONER LIFT

IND	PART NO	COMMON to 500	DESCRIPTION	QTY	SERIAL NO
	5J-7777A	Y	LIFT BAR ASSEMBLY	1	8671 -
1	5J-77770	Y	LIFT BAR	1	8671 -
2	1L-67540	Y	SPRING, LEAF, DOWN PRESSURE	2	8671 -
3	38-77770	Y	GUIDE, CONDITIONER LEAF SPRING	2	8671 -
4	HD-1451F	Y	SCREW, SET, ½-13 X 2½	2	8671 -
5	HA-14982	Y	NUT, HEX, ½-13	2	8671 -
6	HA-10015	Y	SCREW, HEX HEAD, 3/8-16 X 1 3/4	2	8671 -
7	HA-10981	Y	NUT, NY-LOCK, HEX HEAD, 3/8-16	2	8671 -
8	HD-3062D	Y	SCREW, W/ZERK, 1-8 X 6	2	8671 -
N/S	10-4828A	Y	TENSION BUSHING, 1-3/4 X 1½ X 3/4	2	8671 -
9	HA-30861	Y	WASHER, FLAT, 1	2	8671 -
10	HA-30986	Y	NUT, HEX FLEXLOCK, 1-8	2	8671 -
11	10-39610	Y	BUSHING, 1½ X 1 X 13/16	2	8671 -
12	5J-04020	Y	YOKE, LIFT ARM	2	8671 -
13	HA-22021	Y	SCREW, SHOULDER, 3/4-10 X 3¼	2	8671 -
14	HA-22986	Y	NUT, HEX FLEXLOCK, 3/4-10	2	8671 -
15	10-2424A	Y	BUSHING, YOKE TO LIFT BAR	2	8671 -
16	1Z-01580	Y	FITTING, GREASE, 1/8 NPT	2	8671 -
17	HD-1861F	Y	SCREW, W/ZERK, 5/8-11 X 2½	2	8671 -
18	HA-18986	Y	NUT, HEX FLEXLOCK, 5/8-11	2	8671 -
N/S	10-71300	Y	BUSHING (INSIDE HOLES ON LIFT BAR)	2	8671 -
19	2X-3005A	Y	CYLINDER, CONDITIONER DOWN PRESSURE	1	8671 -
	2X-3005L	Y	SEAL KIT, CYLINDER	1	8671 -
20	16-70560	Y	PIN, PIVOT	1	8671 -
21	16-70570	Y	PIN, PIVOT	1	8671 -
22	HA-30861	Y	WASHER, FLAT, 1	2	8671 -
23	HA-7064A	Y	E-RING, EXTERNAL, 1 INCH SHAFT	2	8671 -
24	F2-75080	Y	FITTING, 45° ELBOW, 06FS X 08MP	2	8671 -
25	PL-0120B	Y	HOSE, LUBRICATION, 1/8 X 38	1	8671 -
26	PL-0130B	Y	HOSE, LUBRICATION, 1/8 X 48	1	8671 -
27	10-3220A	Y	TENSION BUSHING, 1¼ X 1 X 3/4	2	8671 -
N/S	10-3220B	Y	TENSION BUSHING, 1¼ X 1 X ½	4	8671 -
			(2 PCS UPPER CYLINDER MOUNT ON WASH WATER TANK)		
	KZ-09099		BUSHING & BOLT KIT, LIFT BAR	1	8671 -
			INCLUDES ITEMS 8,9,10,11,13,14,15,17,18,23, 10-71300 & GREASE FITTING CAPS		

GROUP 12.010 BOARD BRUSH



Group 12.010 BOARD BRUSH

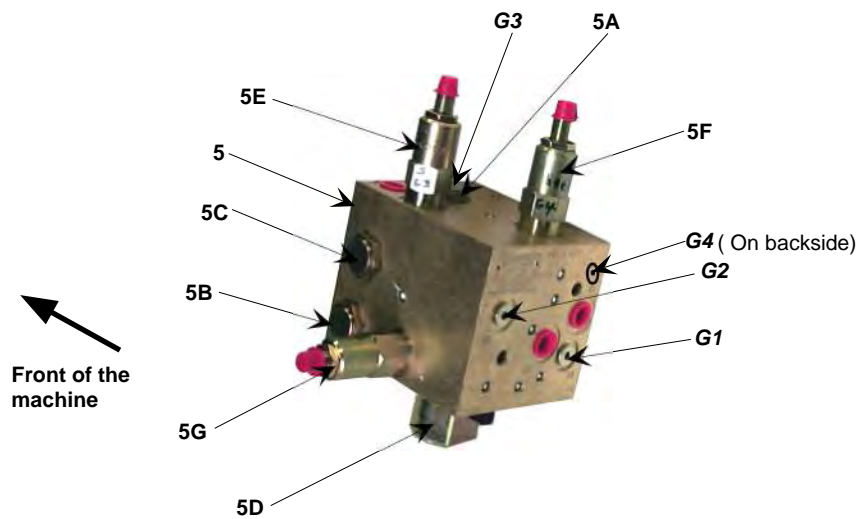
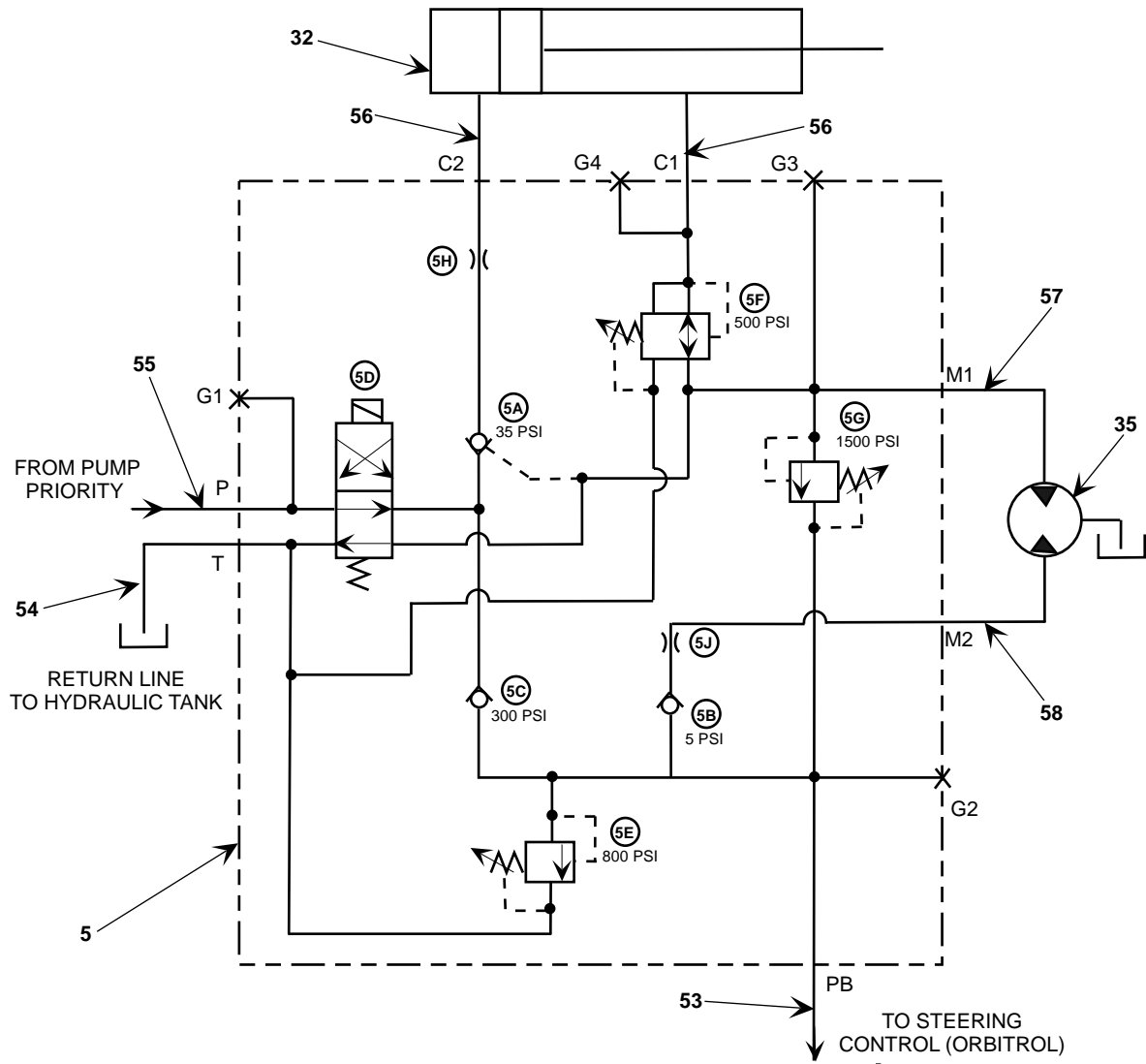
IND	PART NO	COMMON to 500	DESCRIPTION	QTY	SERIAL NO
1	F1-69030	Y	FITTING, 90° ELBOW, 06MB X 06FS	1	8671 -
2	HA-08981	Y	NUT, LOCK, HEX, 5/16-18	5	8671 -
3	4F-55250	Y	WELDMENT, MOUNT PAN, BOARD BRUSH	1	8671 -
4	F1-62090	Y	FITTING, STRAIGHT, 06MB X 06MJ	4	8671 -
5	2V-9035A	Y	MANIFOLD, BB	1	8671
	2V-9045A	N	MANIFOLD, BB (FP)	1	8672 -
6	HA-13020	Y	SCREW, HEX HEAD, 7/16-20 X 3	3	8671 -
	HA-13021	Y	SCREW, HEX HEAD, 7/16-20 X 3 ¼	1	8671 -
7	4F-55106	Y	SHAFT, PIVOT ARM, BOARD BRUSH	1	8671 -
8	1Z-01620	Y	FITTING, GREASE, ¼-28 STRAIGHT	2	8671 -
9	8T-12530	Y	BUMPER	1	8671 -
10	HA-04706	Y	SCREW, FILLISTER HEAD, #10-32 X ½	1	8671 -
11	15-81116	Y	ROLL PIN	2,1	8671 -
12	HA-14017	Y	SCREW, HEX HEAD, ½-13 X 2¼	1	8671 -
13	4F-55005	Y	WELDMENT, BOARD BRUSH ARM	1	8671 -
14	HA-08011	Y	SCREW, HEX HEAD, 5/16-18 X 1	5	8671 -
15	HA-08860	Y	WASHER, FLAT, 5/16	6	8671 -
16	8R-0500A	Y	ROLLER	1	8671 -
17	HA-08862	Y	WASHER, LOCK, 5/16	3	8671 -
18	5V-62024	Y	PLATE, BOARD BRUSH UPPER	1	8671 -
19	HA-03867	Y	WASHER, FLAT, #10	3	8671 -
20	HA-03862	Y	WASHER, LOCK, #10	3	8671 -
21	5V-62020	Y	BRUSH	1	8671 -
22	5V-62022	Y	BRUSH RING, RETAINING	1	8671 -
23	HA-06012	Y	SCREW, SOCKET HEAD, ¼-20 X 1-3/8	3	8671 -
24	43-73380	Y	BUSHING	1	8671 -
25	5V-0500B	Y	ADAPTER	1	8671 -
26	HA-12981	Y	LOCKNUT, HEX, 7/16 X 4	2	8671 -
27	4F-55045	Y	BRACKET, MOTOR MTG.	1	8671 -
28	HA-15986	Y	NUT, LOCK, FLEX, ½-20	1	8671 -
29	15-02108	Y	KEY, ¼ SQUARE X 1¼	1	8671 -
30	15-62130	Y	PIN, HINGE	1	8671 -
31	F2-69010	Y	FITTING, 90° ELBOW, 02MP X 02FS	2	8671 -
32	2X-87600	Y	HYDRAULIC CYLINDER	1	8671 -
33	HA-14008	Y	SCREW, HEX HEAD, ½-13 X 1¼ W/ #10-32 THD	1	8671 -
34	4J-04060	Y	ROD END	1	8671 -
35	2M-62060	Y	HYDRAULIC MOTOR	1	8671 -
36	F1-62180	Y	FITTING, STRAIGHT, 10MB X 06MJ	2	8671 -
37	HA-12013	Y	SCREW, HEX HEAD, 7/16-14 X 1¼	2	8671 -
38	HA-15018	Y	SCREW, HEX HD, ½-20 X 2½	1	8671 -
39	4J-04050	Y	ROD END	1	8671 -
40	HA-14861	Y	FLATWASHER, ½	2	8671 -
41	10-3624H	Y	BUSHING	2	8671 -

Group 12.010 BOARD BRUSH

IND	PART NO	COMMON to 500	DESCRIPTION	QTY	SERIAL NO
42	HA-14014	Y	SCREW, HEX HEAD, 1/2 -13 X 1 1/2	2	8671 -
43	HA-14982	Y	NUT, HEX, THIN, 1/2-13	3	8671 -
44	HA-10017	Y	SCREW, HEX HEAD, 3/8-16 X 2 1/4	2	8671 -
45	HA-13981	Y	NUT, LOCK, HEX, 7/16-20	4	8671 -
46	HA-06009	Y	SCREW, HEX HEAD, 1/4-20 X 3/4	1	8671 -
47	4F-55143	Y	STOP PLATE	1	8671 -
48	HA-08027	Y	SCREW, HEX HEAD, 5/16-18 X 5 3/4	2	8671 -
49	F1-62070	Y	FITTING, STRAIGHT, 06MB X 04MJ	2	8671 -
50	F2-69080	Y	FITTING, 90° ELBOW, 06FS X 06MP	1	8671 -
51	FL-81550	Y	FITTING, TEE, 06FP X 06FP X 06FP	1	8671 -
52	F2-64080	Y	FITTING, STRAIGHT, 06FS X 06MP	1	8671 -
53	PM-3540B	Y	HOSE, 3/8 X 135, 06MP X 06MP	1	8671 -
54	PM-3164C	Y	HOSE, 3/8 X 41, 06FJIC X 06MP	1	8671 -
55	PM-3184C	Y	HOSE, 3/8 X 46, 06FJIC X 06MP	1	8671 -
56	PM-1072A	Y	HOSE, 1/4 X 18, 02MP X 04FJIC	2	8671 -
57	PM-3102B	Y	HOSE, 3/8 X 25, 06FJ X 06MP	1	8671 -
58	PM-3102A	Y	HOSE, 3/8 X 26, 06FJ X 06MP	1	8671 -
59	PM-3436D	Y	HOSE, 3/8 X 112, 06MP X 06MP	1	8671 -
60	F1-69050	Y	FITTING, 90° ELBOW, 08MB X 06FS	1	8671 -
61	HA-10981	Y	NUT, HEX, NY-LOCK, 3/8-16	2	8671 -
62	HA-15988	Y	NUT, HEX, THIN, 1/2-20	2	8671 -
63	FL-62260	Y	NIPPLE, HEX, BRASS, 06MP X 06MP	1	8671 -
64	HA-14986	Y	NUT, HEX, TRI-LOCK 1/2-13	2	8671 -
65	15-62140	Y	PIN, ARM	1	8671 -
66	HA-08017	Y	SCREW, HEX HEAD, 5/16-18 X 2 1/4	1	8671 -

GROUP 12.010 BOARD BRUSH

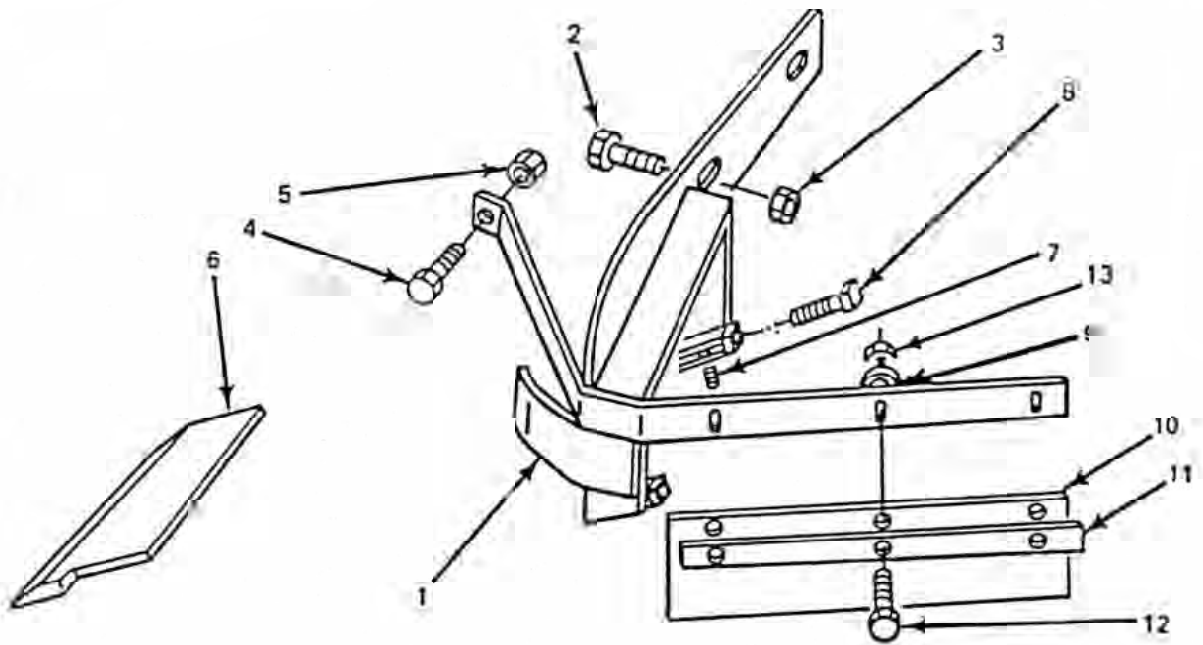
Hydraulic Schematic



Group 12.010 BOARD BRUSH

IND	PART NO	COMMON to 500	DESCRIPTION	QTY	SERIAL NO
5	2V-9035A	Y	CONTROL VALVE MANIFOLD BLOCK	1	8671
	2V-9045A	N	CONTROL VALVE MANIFOLD BLOCK (FP)	1	8672 -
5A	2V-9035B	Y	CHECK VALVE 35 PSI, MANIFOLD BLOCK	1	8671 -
5B	2V-9035C	Y	CHECK VALVE, 5 PSI, MANIFOLD BLOCK	1	8671 -
5C	2V-9035D	Y	CHECK VALVE, 300 PSI, MANIFOLD BLOCK	1	8671 -
5D	2V-9035E	Y	SOLENOID VALVE, MANIFOLD BLOCK	1	8671
	2V-9029C	Y	COIL, SOLENOID VALVE, MANIFOLD BLOCK	1	8672 -
5E	2V-9035F	Y	RELIEF VALVE, 800 PSI, MANIFOLD BLOCK	1	8671 -
5F	2V-9035H	Y	PRESSURE REDUCING VALVE, MANIFOLD BLOCK	1	8671
	2V-9035L	Y	SEAL KIT FOR 2V-9035H	1	8672 -
5G	2V-9035G	Y	RELIEF VALVE, 1500 PSI, MANIFOLD BLOCK	1	8671
	2V-9035M	Y	SEAL KIT FOR 2V-9035F & G	1	8672 -
5H	2V-9035J	Y	REMOVABLE ORIFICE, MANIFOLD BLOCK	1	8671 -
5J	2V-9035K	Y	REMOVABLE ORIFICE, MANIFOLD BLOCK	1	8671 -

GROUP 13.010 ZAMBONI EDGER ATTACHMENT



Group 13.010 ZAMBONI EDGER ATTACHMENT

IND	PART NO	COMMON to 500	DESCRIPTION	QTY	SERIAL NO
	KZ-74820	Y	EDGER KIT, INCLUDING ITEMS 1 THRU 13	1	8671 -
1	5E-71200	Y	FRAME, EDGER	1	8671 -
2	HA-18015	Y	SCREW, HEX HEAD, 5/8-11 X 1-3/4	2	8671 -
3	HA-18986	Y	NUT, HEX TRI-LOCK, 5/8-11	2	8671 -
4	HA-14014	Y	SCREW, HEX HEAD, 1/2-13 X 1 1/2	1	8671 -
5	HA-14986	Y	NUT, HEX TRI-LOCK, 1/2-13	1	8671 -
6	5E-71770	Y	BLADE, EDGER	1	8671 -
7	HD-0840F	Y	SOCKET SET SCREW, 5/8-16 X 3/8	2	8671 -
8	HD-1451F	Y	SET SCREW, SQUARE HEAD, 1/2-13 X 2 1/2	2	8671 -
9	HF-10860	Y	WASHER, S.S., FLAT, 3/8	3	8671 -
10	5M-76500	Y	SQUEEGEE, EDGER	1	8671 -
11	1M-33780	Y	BAR, SQUEEGEE, RETAINING	1	8671 -
12	HF-10014	Y	SCREW, S.S., HEX HEAD, 3/8-16 X 1 1/2	3	8671 -
13	HF-10981	Y	NUT, S.S., LOCK, HEX, 3/8-16	3	8671 -