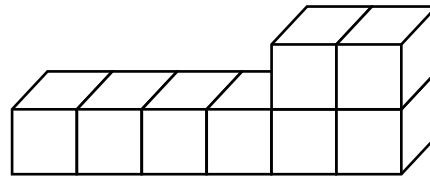
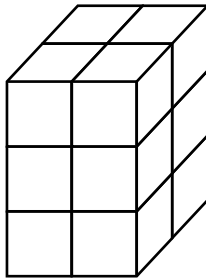
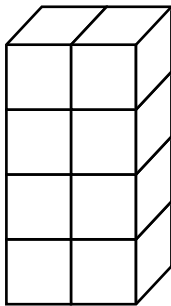
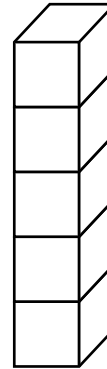
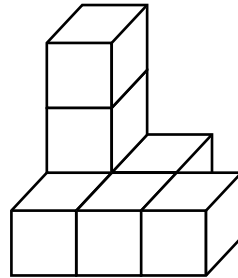
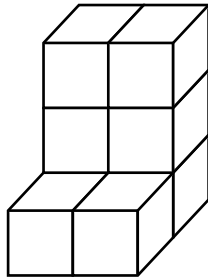




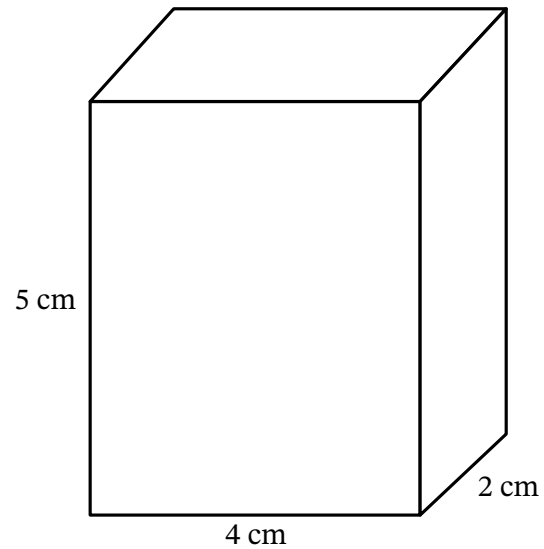
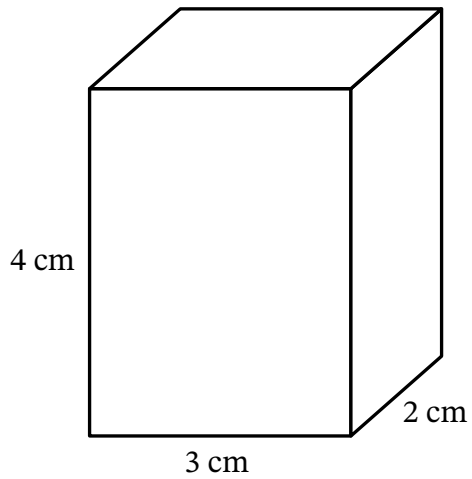
Name _____

Date _____

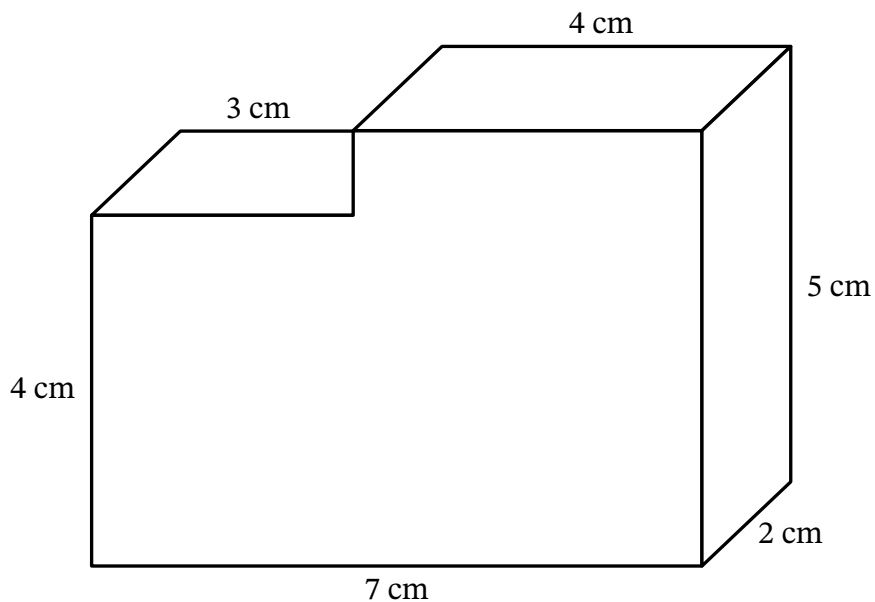
1. Each solid figure shown is composed of centimeter cubes. Circle the figures with a volume of 8 cubic centimeters.



2. Two right rectangular prisms are shown. Find the volume of each right rectangular prism.

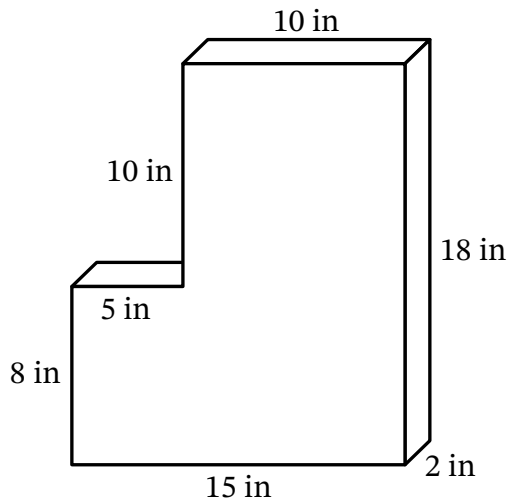


-
3. The two right rectangular prisms from problem 2 are combined to make one solid figure. What is the volume of the figure?

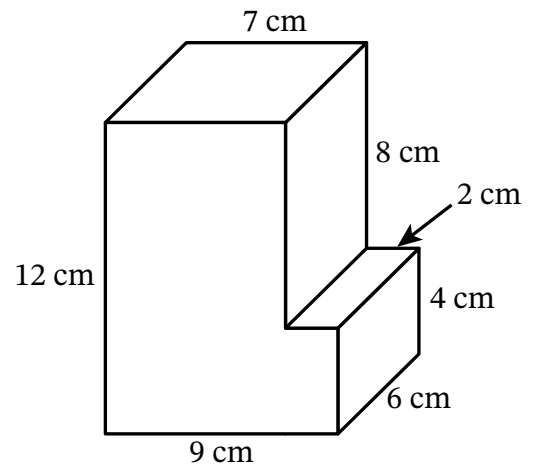


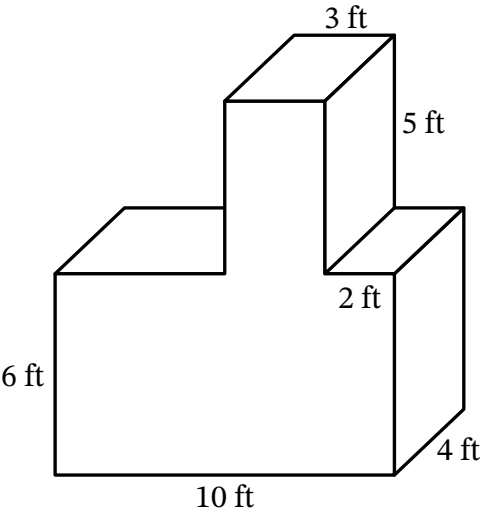
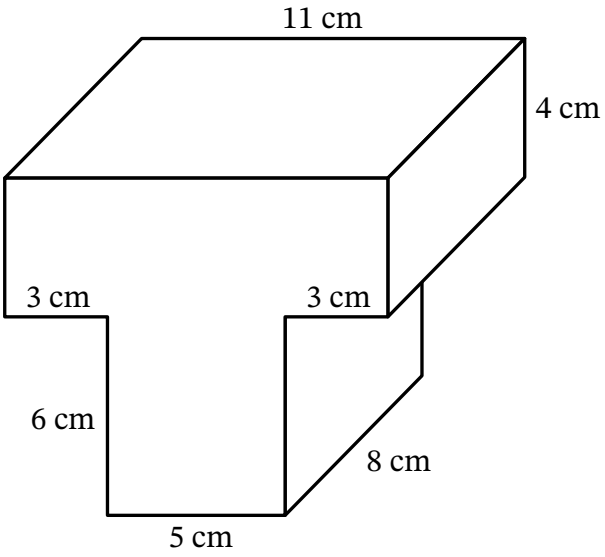
The solid figures shown are composed of right rectangular prisms. Calculate the volume of each figure.

4.



5.



- 6.
- 
- 3 ft
5 ft
6 ft
2 ft
4 ft
10 ft
- 7.
- 
- 11 cm
4 cm
3 cm
3 cm
6 cm
8 cm
5 cm