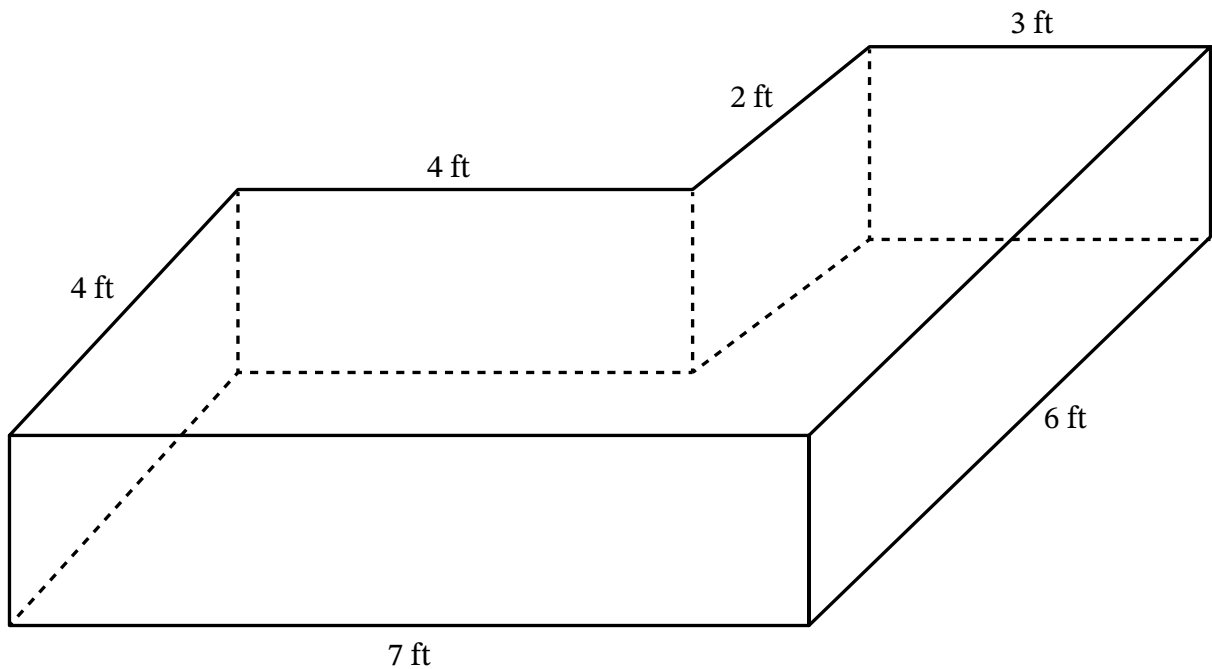




Name \_\_\_\_\_

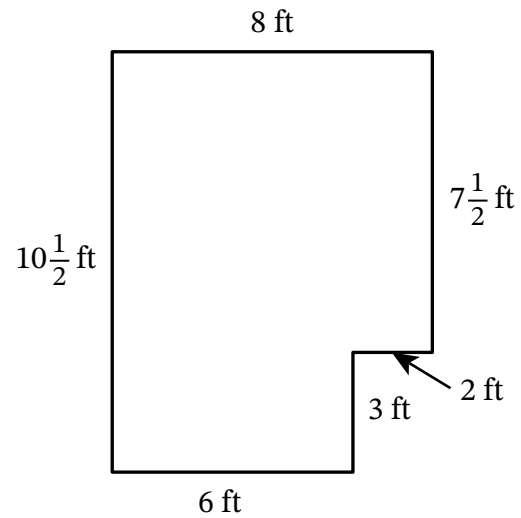
Date \_\_\_\_\_

1. Miss Song is building a sandbox in her backyard. The measurements of the sandbox are shown.



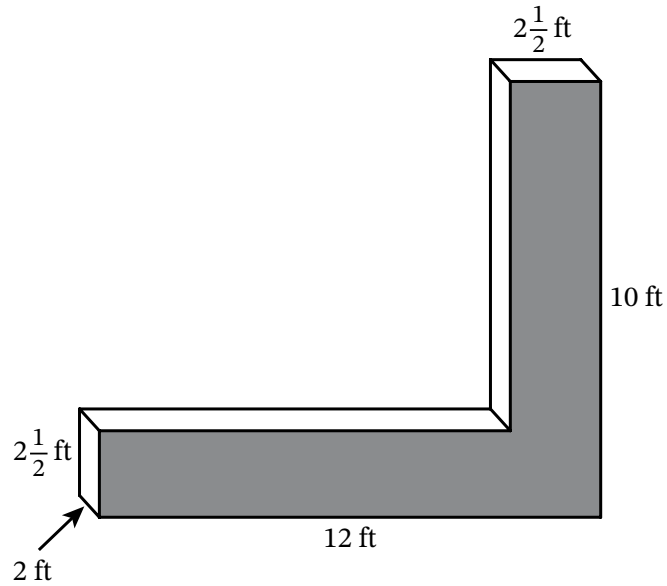
- a. Miss Song uses one board per side. What is the total length of boards Miss Song uses to build the sides of the sandbox?
- b. How much of the lawn does the sandbox cover?
- c. How much sand does it take to fill the sandbox to a height of  $1\frac{1}{2}$  feet?

2. A city is building a dog park. The measurements are shown.



- a. How much space will the dog park take up?
- b. How many feet of fence are needed to surround the dog park?

3. A fishpond is being built around a corner of a building. The measurements are shown. What is the volume of the water in the pond when it is filled to the top?



4. Some of the rain gutters on Eddie's home are being replaced. The measurements of Eddie's home where the gutters are being replaced are shown. How many feet of gutters are being replaced on Eddie's home?

