

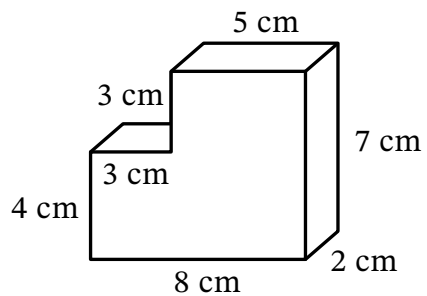


Name \_\_\_\_\_

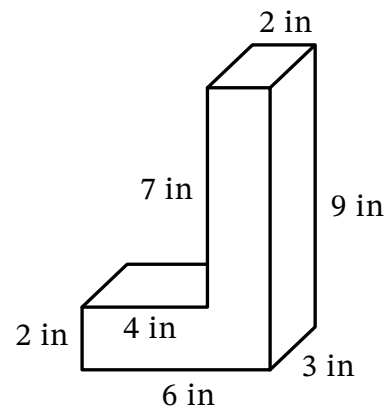
Date \_\_\_\_\_

The solid figures shown are composed of right rectangular prisms.  
Calculate the volume of each figure.

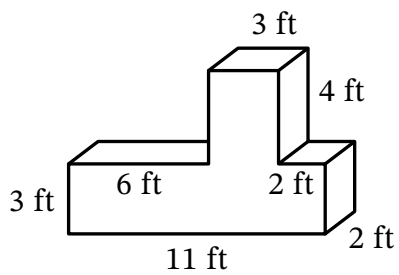
1.



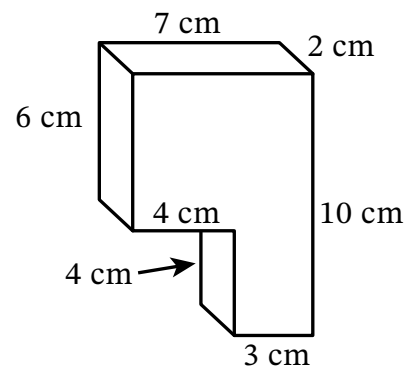
2.



3.



4.



**REMEMBER**

5. Draw a model to represent the expression. Explain how your model represents the product.

$$\frac{2}{3} \times 3$$

- 
6. Use  $>$ ,  $=$ , or  $<$  to compare the expressions. Explain how you can compare the expressions without evaluating.

$$\frac{7}{9} \text{ \_\_\_\_\_\_ } 7 \times \frac{7}{9}$$