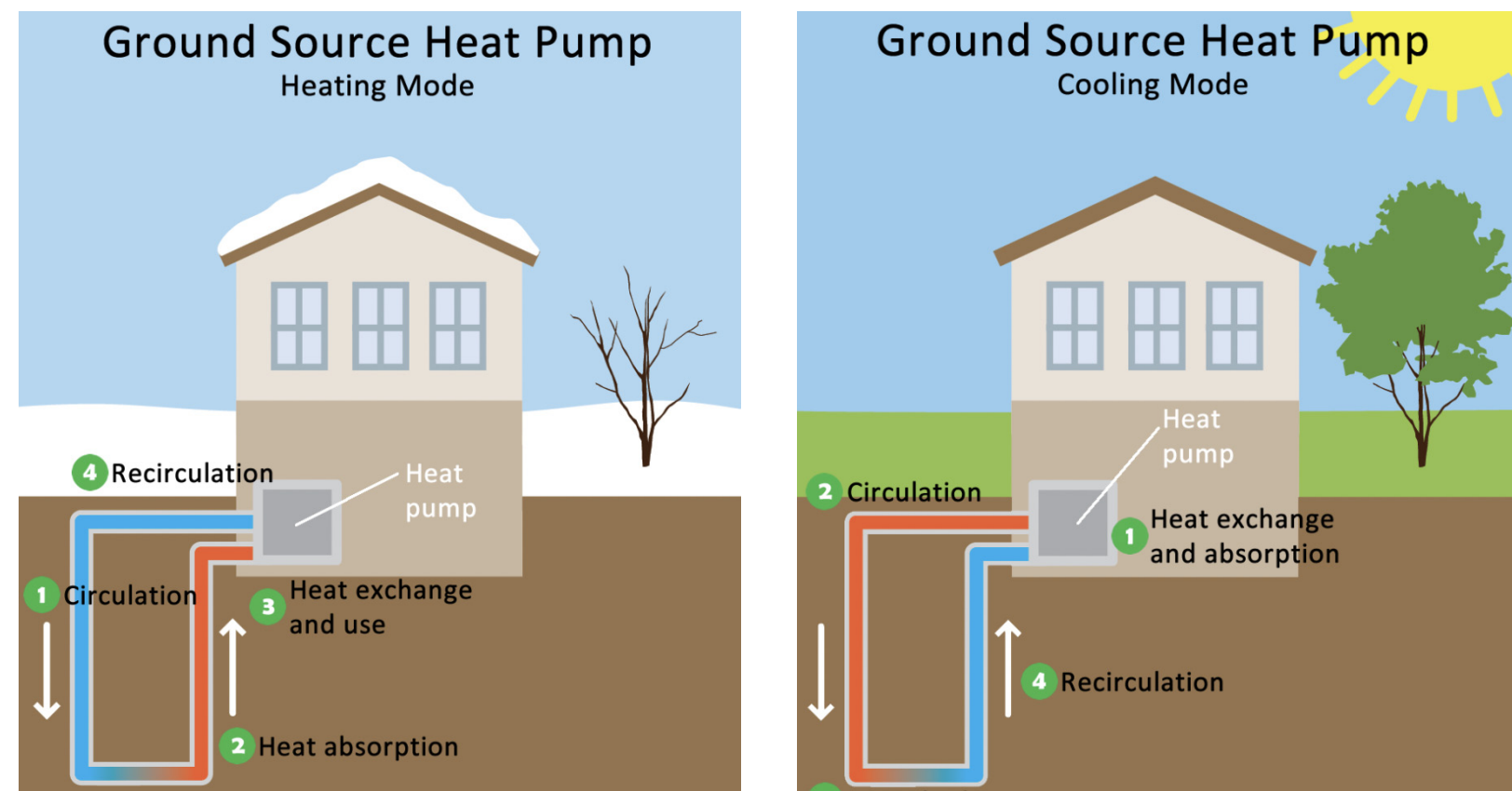


SUSTAINABILITY

ENERGY

Geothermal Heating and Cooling System

Sponsored by Friends of the CEC



Solar

Sponsored by Friends of the CEC

12.8 kW-DC	System Size
(32) QCells Q PEAK DUO BLK M-G11+ 400W	Modules
(32) Enphase IQ8M-72-2-US (240V)	Inverter(s)
16,853 kWh	Annual Production
85.3%	Percent Electricity Usage Offset

MATERIALS

FSC Certified Lumber

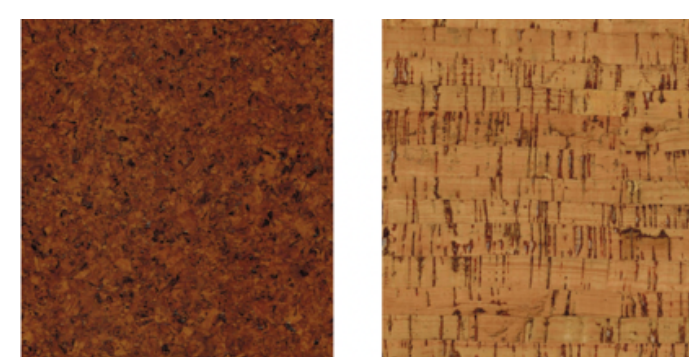
Sponsored by The Bradshaw-Knight Foundation



Low or Zero VOC Paints and Adhesives

Sustainable Cork Flooring

Sponsored by In Memory of Al & Gloria Batzner and Tom & Del Jurkiewicz



Chapel and Breakout Room

Recycled Content Carpet



Addition Hallways St. Kateri Classroom

St Kateri Classroom flooring contains recycled plastic content equal to 5800 plastic water bottles!

WATER CONSERVATION

Green Roof

Sponsored by Friends of the CEC

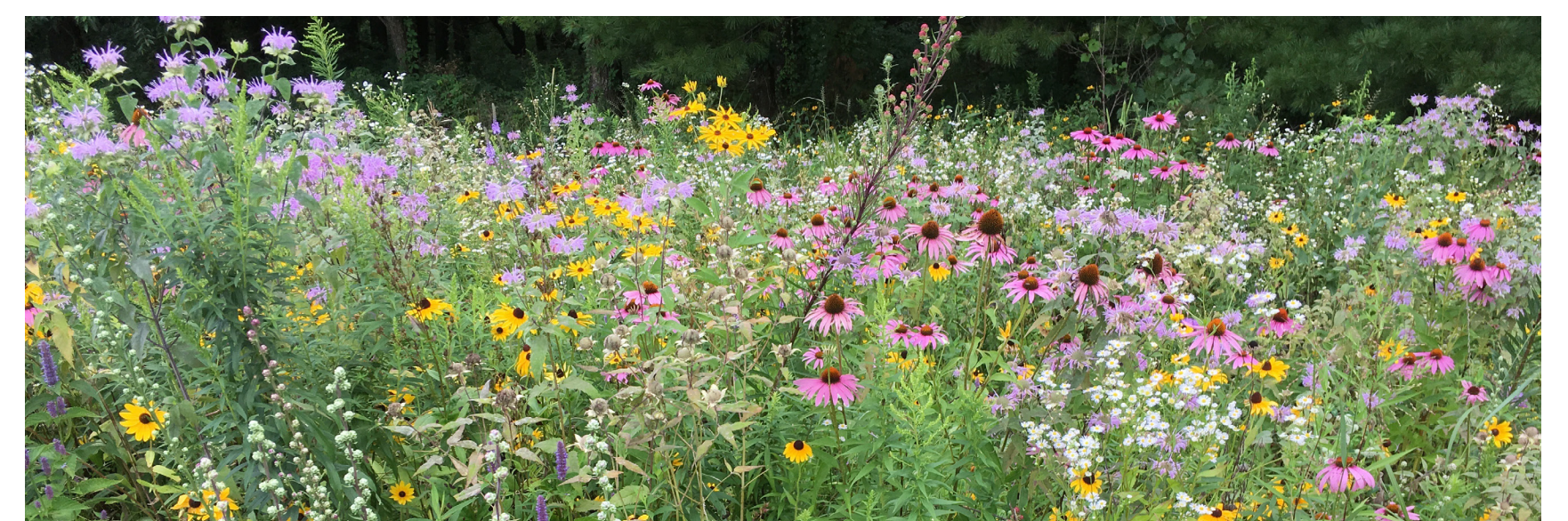
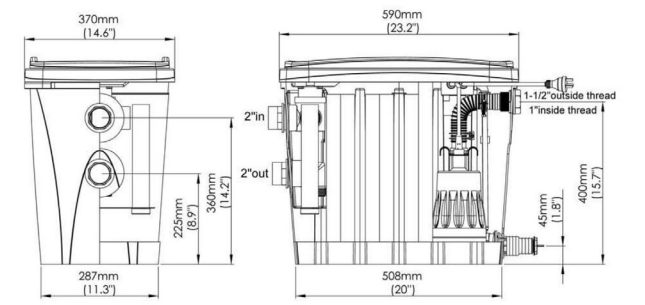
- Captures 70% of Rainfall (1500 gallons for 1" rainfall)
- Rainfall not intercepted enters Pollinator Rain Garden



Grey Water Recycling and Reuse

Sponsored by Chris and Teresa Horner

- Waste water from bathroom sinks and washing machine is filtered and used to water native plantings outside



Reclaimed and Repurposed

Sponsored by School Sisters of Notre Dame and Milwaukee Catholic Home

- Tables, chairs, shelving and furniture



Sustainable Materials



Reception Desk made from pressed sunflower seed hulls and hemp fiber wood

Local Wood Benches and Cross

Made from dead ash trees cut from the CEC and locally milled

