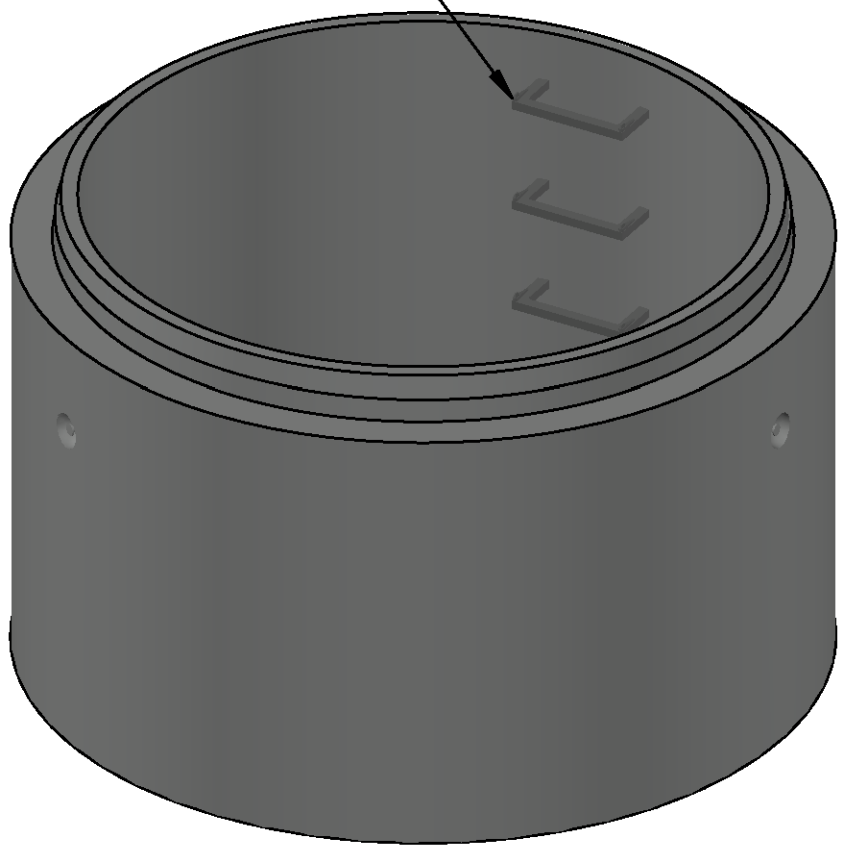


LANE INTERNATIONAL
POLYPROPYLENE 13'x330'
LADDER RUNGS



GENERAL NOTES
Manufacture of precast manhole barrels shall be in accordance with CSA A23.1/A257 and ASTM C478 specifications
Concrete shall be exposure Class H5e and meet min compressive strength of 30MPa @ 28d
Air Category: 4.0% - 7.0% (except where zero-slump concrete is used)
Aggregate: CSA/CAN A23.4 Maximum Size: 20mm
Admixtures: CSA/CAN A23.4 Reinforcing: Grade 400W CSA G30.18
Inserts/Embeds: As noted in drawing details
Lifting Apparatus: 3x 4T Starcon anchors
*** LEKO PRECAST LTD SHALL NOT BE RESPONSIBLE FOR ANY INSTALLATION PRACTICES FOLLOWED ON-SITE UNLESS PERFORMED BY LEKO PRECAST LTD **
Meets H-20 Loading 3300Kg (7300 LBS)



72" x 4ft (1820mm x 1220mm) MANHOLE BARREL			
DRAWN BY: JP	CHECKED BY:	APPROVED BY:	DATE: APRIL 2025
ASSEMBLY DWG.	PREVIOUS DWG.	DRAWING NO. M7204	REVISION 3
SCALE: 1:20	ISOMETRIC: 1:20		
DO NOT SCALE THIS DRAWING			