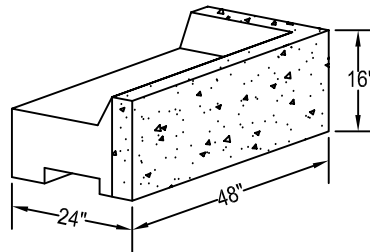
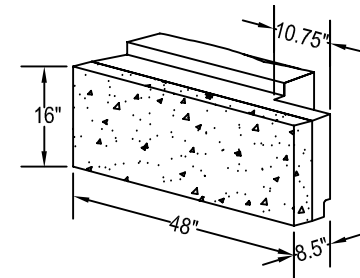


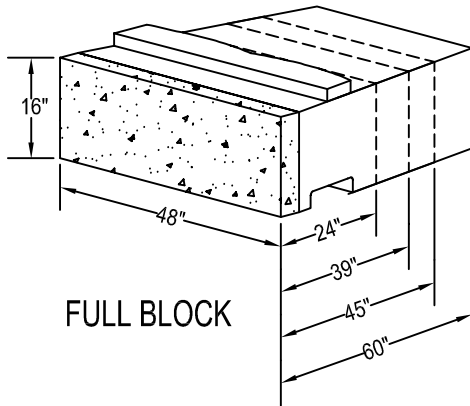
FULL TOP BLOCK



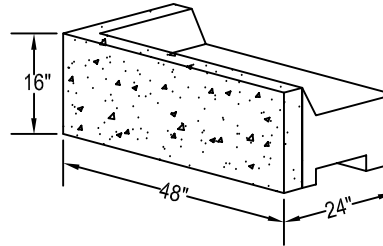
RIGHT CORNER TOP BLOCK



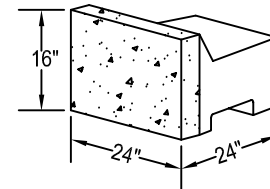
FITTING BLOCK



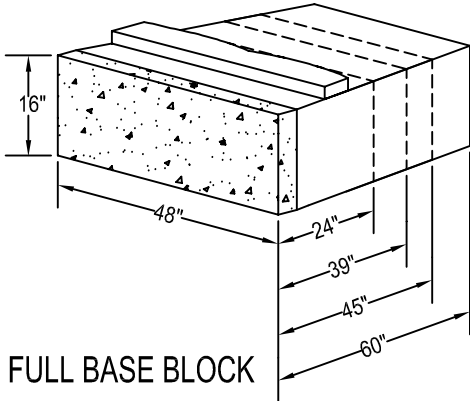
FULL BLOCK



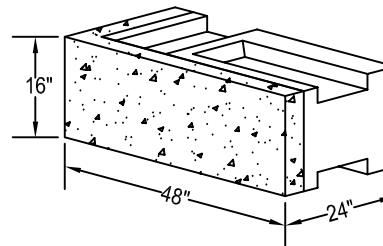
LEFT CORNER TOP BLOCK



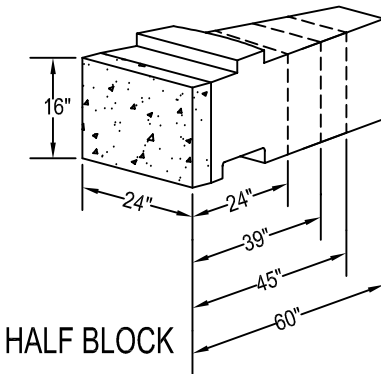
HALF TOP BLOCK



FULL BASE BLOCK



REVERSIBLE CORNER BLOCK
(USE FOR 90° CORNERS)



HALF BLOCK

Copyright 2008 ReCon Wall Systems, Inc.

Design is for internal stability of the RECON wall structure only. External stability, including but not limited to foundation and slope stability is the responsibility of the Owner. The design is based on the assumption that the materials within the retained mass, methods of construction, and quality of materials conform to RECON's specification for this project.

Disclaimer: This drawing was prepared by ReCon Wall Systems, Inc. and to the best of our knowledge, accurately represents the product use in the application that is illustrated. This drawing is for conceptual, instructional, and estimating purposes only. Anyone making use of this drawing does so at their own risk and assumes all liability for such use. Final design for construction purposes must be done by a registered professional engineer who is familiar with the product and who has taken into account the specific site conditions.



Retaining Wall Systems

DRAWING # 100

BLOCK TYPES

RECON WALL SYSTEMS, INC
7600 WEST 27TH STREET, #229
ST LOUIS PARK, MN 55426
PH: 952-922-0027
www.reconwalls.com