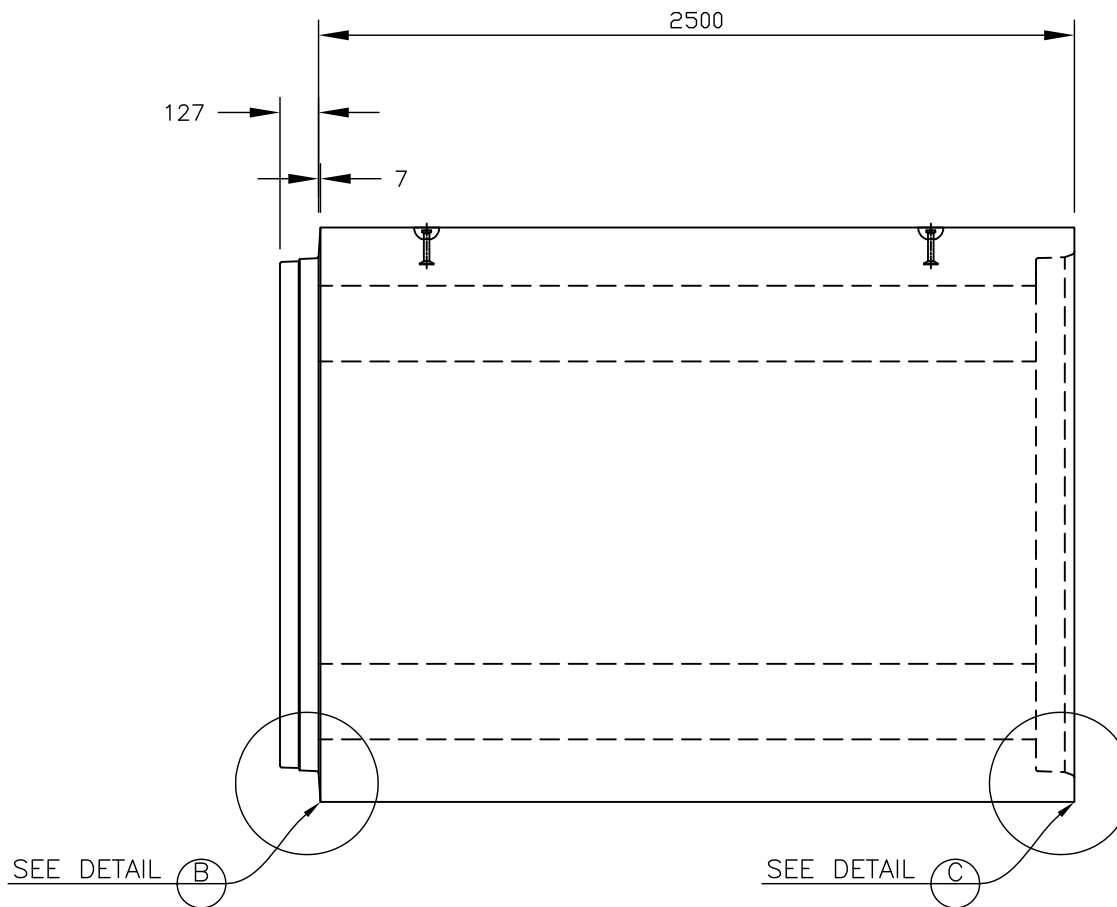
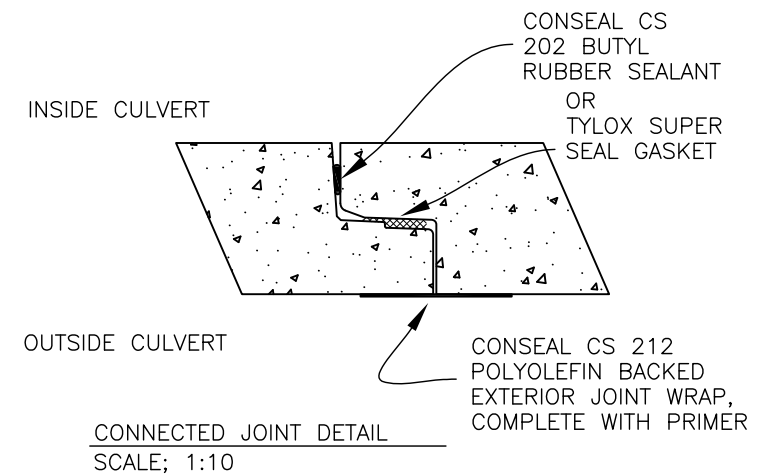


BOX CULVERT PLAN VIEW



BOX SIDE ELEVATION SECTION-VIEW



-1.5 M MAX. BACKFILL HEIGHT FROM T.O. BOX CULVERT  
 -0.6 M MIN. BACKFILL HEIGHT FROM T.O. BOX CULVERT  
 -REF. BOURCET DRAWING 51.1, REV. 5, ISSUED NOV. 8 2013

**GENERAL NOTES**

Precast concrete shall be exposure Class HSe and meet min compressive strength of 35MPa @28d

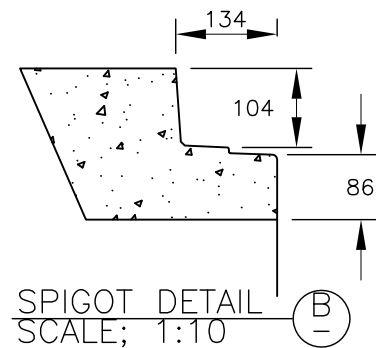
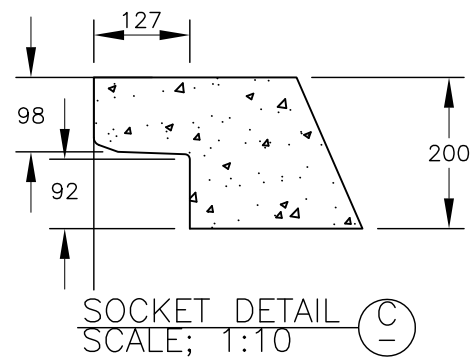
Air Category: 4.0% - 7.0%  
 Aggregate: CSA/CAN A23.4  
 Maximum Size: 20mm  
 Admixtures: CSA/CAN A23.4  
 Reinforcing: Grade 400W CSA G30.18  
 Inserts/Embeds: As noted in drawing details

Manufacture of precast concrete units shall be in accordance with specification CSA A23.4, ASTM C1433M

Designed to HS20, BCL 625 live loadings

\*\* LEKO PRECAST LTD SHALL NOT BE RESPONSIBLE FOR ANY INSTALLATION PRACTICES FOLLOWED ON-SITE UNLESS PERFORMED BY LEKO PRECAST LTD \*\*

BOX CULVERT 1815 WEIGHT: 9,600 KG. (21,100 LBS.)  
 BOX CULVERT 1815 VOLUME: 2.6m<sup>3</sup>/m (570 igal/m)



<b>Leko PRECAST LTD.</b>				BOX CULVERT; 1.8m x 1.5m, 2.50m LG.	
DRAWN BY: JA	CHECKED BY:	APPROVED BY:	DATE: Sept 2020		
ASSEMBLY DWG.	PREVIOUS DWG.	DRAWING NO.	REVISION		
SCALE: 1:25		ISOMETRIC: 1:50		BX 1815	
DO NOT SCALE THIS DRAWING				0	