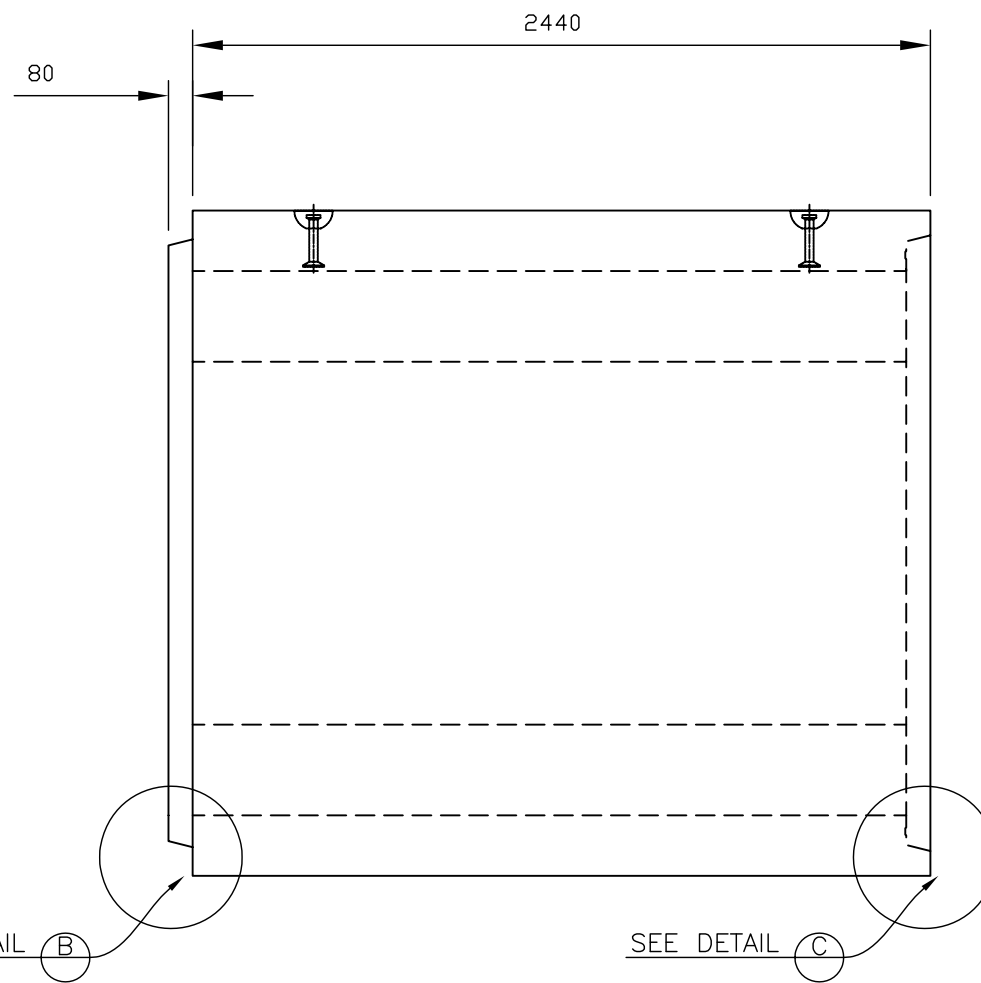
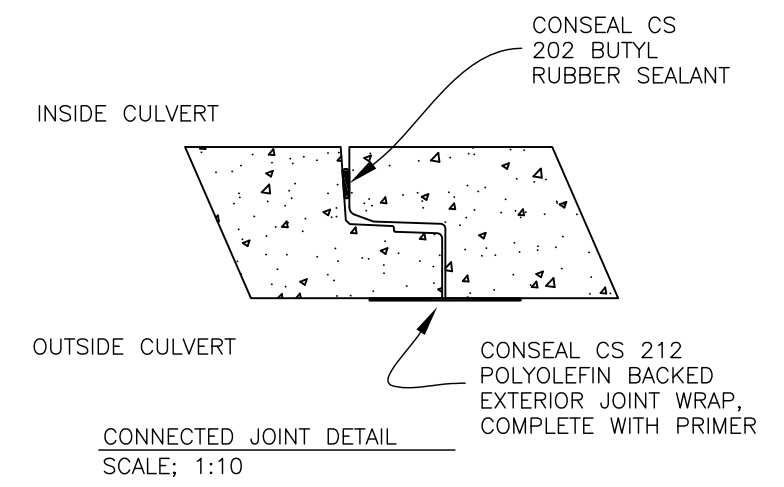
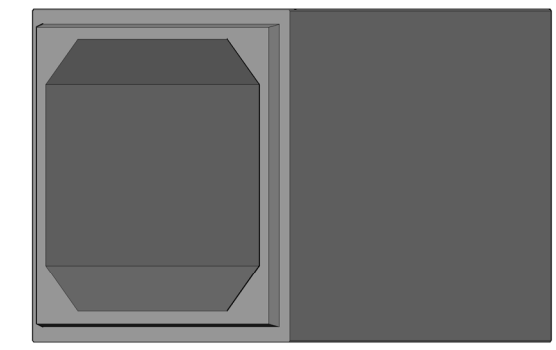


BOX CULVERT PLAN VIEW

-1.5 M MAX. BACKFILL HEIGHT FROM T.O. BOX CULVERT
 -0.6 M MIN. BACKFILL HEIGHT FROM T.O. BOX CULVERT
 -REF. BOURCET DRAWING 51.1, REV. 5, ISSUED NOV. 8 2013

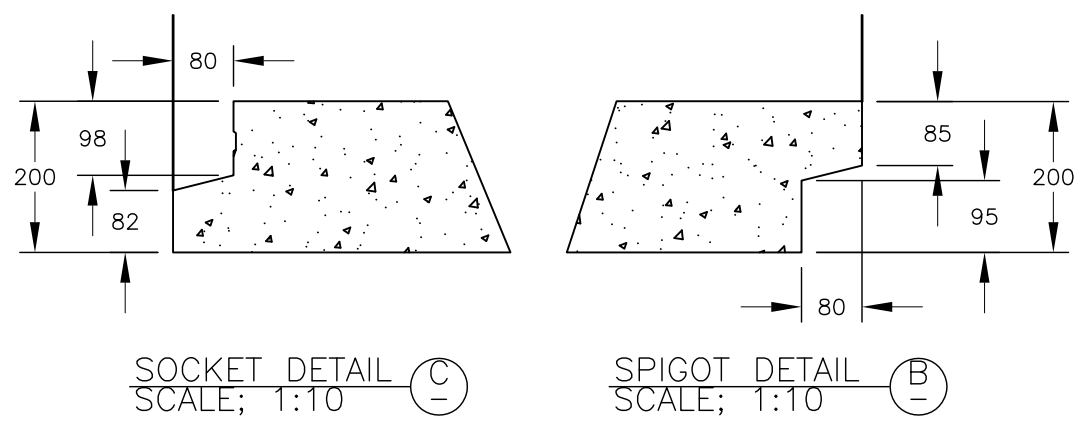


BOX SIDE ELEVATION SECTION-VIEW



BOX CULVERT 2018 WEIGHT: 10,800 KG. (23,800 LBS.)
 BOX CULVERT 2018 VOLUME: 3.4m³/m (750 igal/m)

GENERAL NOTES
 Precast concrete shall be exposure Class HSe and meet min compressive strength of 35MPa @28d
 Air Category: 4.0% - 7.0%
 Aggregate: CSA/CAN A23.4
 Maximum Size: 20mm
 Admixtures: CSA/CAN A23.4
 Reinforcing: Grade 400W CSA G30.18
 Inserts/Embeds: As noted in drawing details
 Manufacture of precast concrete units shall be in accordance with specification CSA A23.4, ASTM C1433M
 Designed to HS20, BCL 625 live loadings
 ** LEKO PRECAST LTD SHALL NOT BE RESPONSIBLE FOR ANY INSTALLATION PRACTICES FOLLOWED ON-SITE UNLESS PERFORMED BY LEKO PRECAST LTD **



SOCKET DETAIL (C)
SCALE; 1:10

SPIGOT DETAIL (B)
SCALE; 1:10

BOX CULVERT; 2.0m x 1.8m, 2.4m LG.			
DRAWN BY: JA	CHECKED BY:	APPROVED BY:	DATE: Sept 2020
ASSEMBLY DWG.	PREVIOUS DWG.	DRAWING NO. BX 2018	REVISION 0
SCALE: 1:25 ISOMETRIC: 1:50		DO NOT SCALE THIS DRAWING	