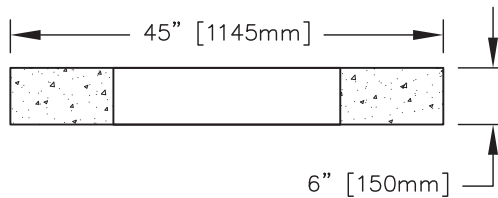
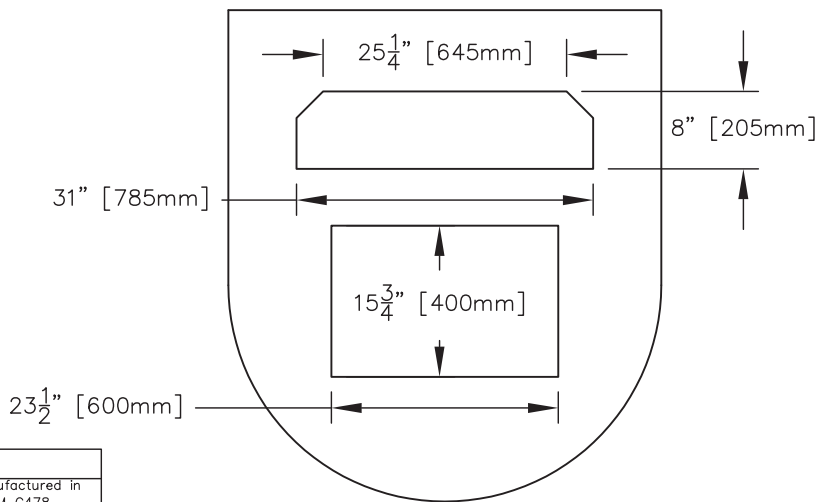


45" [1145mm]



GENERAL NOTES

Precast manhole units shall be manufactured in accordance with CSA A257 and ASTM C478

Precast concrete shall be exposure Class HSe and meet min compressive strength of 30MPa @28d

Air Category: 4.0% – 7.0% (except where zero-slump concrete is used)

Aggregate: CSA/CAN A23.4 Maximum Size: 20mm

Admixtures: CSA/CAN A23.4

Reinforcing: Grade 400W CSA G30.18, 3x12 W2.5/W2.5

Inserts/Embeds: As noted in drawing details

Manufacture of precast concrete units shall be in accordance with specification CSA A23.4

** LEKO PRECAST LTD SHALL NOT BE RESPONSIBLE FOR ANY INSTALLATION PRACTICES FOLLOWED ON-SITE UNLESS PERFORMED BY LEKO PRECAST LTD **

455Kg (1000 LBS)



36" (900mm) Catch Basin Lid w/side drain lid

DRAWN BY: JA	CHECKED BY:	APPROVED BY:	DATE: MARCH 2016
ASSEMBLY DWG.	PREVIOUS DWG.	DRAWING NO. CB0403	REVISION 1
SCALE: 1:20 ISOMETRIC: 1:20			
DO NOT SCALE THIS DRAWING			