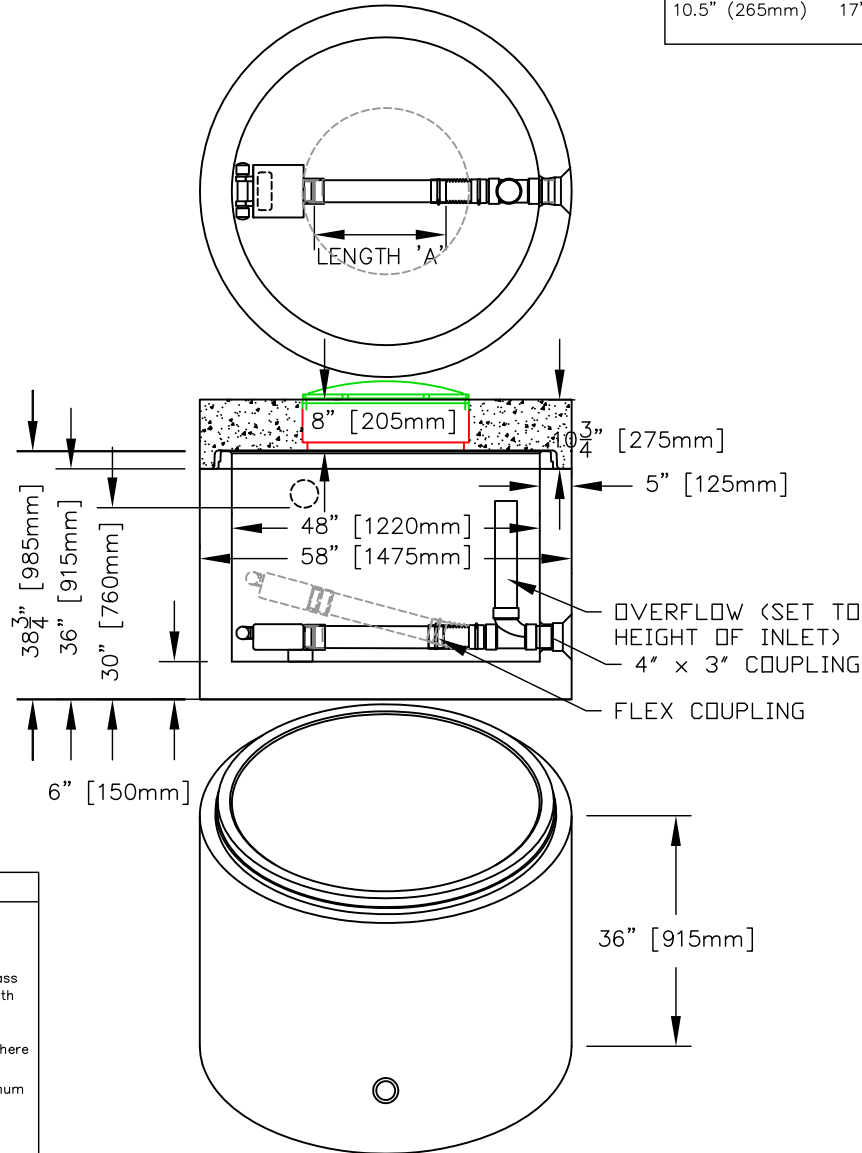


FLOUT SYPHON CUT SHEET

LENGTH 'A'	DRAW DOWN	DOSE VOLUME
0" (FLEX ONLY)	5" (125mm)	33gal (149L)
3.5" (90mm)	10" (250mm)	66gal (297L)
4.5" (115mm)	11" (280mm)	73gal (327L)
5.5" (140mm)	12" (305mm)	79gal (356L)
6.5" (165mm)	13" (330mm)	86gal (386L)
7.5" (190mm)	14" (355mm)	92gal (416L)
8.5" (215mm)	15" (380mm)	99gal (446L)
9.5" (240mm)	16" (405mm)	106gal (475L)
10.5" (265mm)	17" (430mm)	112gal (505L)



GENERAL NOTES

Precast manhole units shall be manufactured in accordance with CSA A257 and ASTM C478

Precast concrete shall be exposure Class HSe and meet min compressive strength of 30MPa @28d

Air Category: 4.0% - 7.0% (except where zero-slump concrete is used)

Aggregate: CSA/CAN A23.4 Maximum Size: 20mm

Admixtures: CSA/CAN A23.4
Reinforcing: Grade 400W CSA G30.18, 3x12 W2.5/W2.5

Inserts/Embeds: As noted in drawing details

Manufacture of precast concrete units shall be in accordance with specification CSA A23.4

**** LEKO PRECAST LTD SHALL NOT BE RESPONSIBLE FOR ANY INSTALLATION PRACTICES FOLLOWED ON-SITE UNLESS PERFORMED BY LEKO PRECAST LTD ****

1,825Kg (4015 LBS) NOT INCL LID
2,280Kg (5,015 LBS) WITH LID

48" (1050mm) Flout Dosing Chamber

DRAWN BY: JA	CHECKED BY:	APPROVED BY:	DATE: July 2017
ASSEMBLY DWG.	PREVIOUS DWG.	DRAWING NO. FC4836	REVISION 2
SCALE: 1:30	ISOMETRIC: 1:30		
DO NOT SCALE THIS DRAWING			

