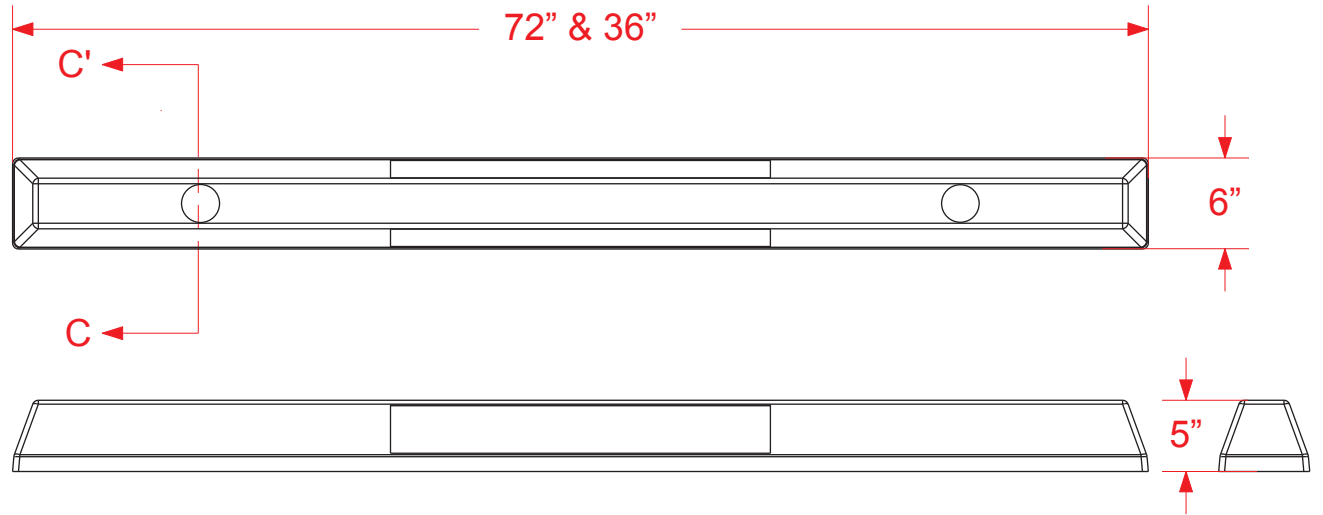
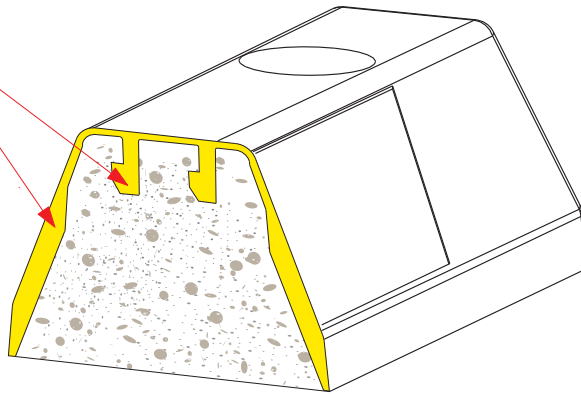


SECTION C - C



concrete keepers



COLORS: Safety Yellow OR Handicap Blue
MATERIAL: UV Stabilized, high-impact polymer
NOTE: MUST BE FILLED WITH CONCRETE



TUF-TITE®

Tuf-Tite, Inc.
 1200 Flex Court
 Lake Zurich, Illinois 60047

TELEPHONE: 847.550.1011
 TOLL FREE: 800.382.7009
 FAX: 847.550.8004

PART: **TUF-STOP**

PART #: TUF-STOP-YEL
 TUF-STOP-BLUE