

GENERAL NOTES

Precast concrete shall be exposure Class HSe and meet min compressive strength of 30MPa @28d

Air Category: 4.0% – 7.0% (except where zero-slump concrete is used)

Aggregate: CSA/CAN A23.4 Maximum Size: 20mm

Admixtures: CSA/CAN A23.4

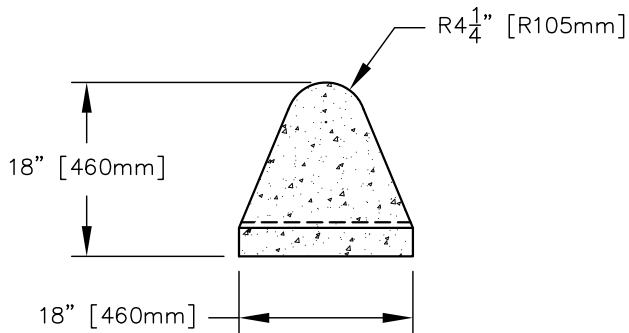
Reinforcing: Grade 400W CSA G30.18, 3x12 W2.5/W2.5

Inserts/Embeds: As noted in drawing details

Manufacture of precast concrete units shall be in accordance with specification CSA A23.4

** LEKO PRECAST LTD SHALL NOT BE RESPONSIBLE FOR ANY INSTALLATION PRACTICES FOLLOWED ON-SITE UNLESS PERFORMED BY LEKO PRECAST LTD **

1,015Kg (2,240 LBS)



10ft (3m) TAPERED BARRIER

DRAWN BY: JA	CHECKED BY:	APPROVED BY:	DATE: NOVEMBER 2017
ASSEMBLY DWG.	PREVIOUS DWG.	DRAWING NO. G1301	REVISION 0
SCALE: 1:20	ISOMETRIC: 1:20		
DO NOT SCALE THIS DRAWING			