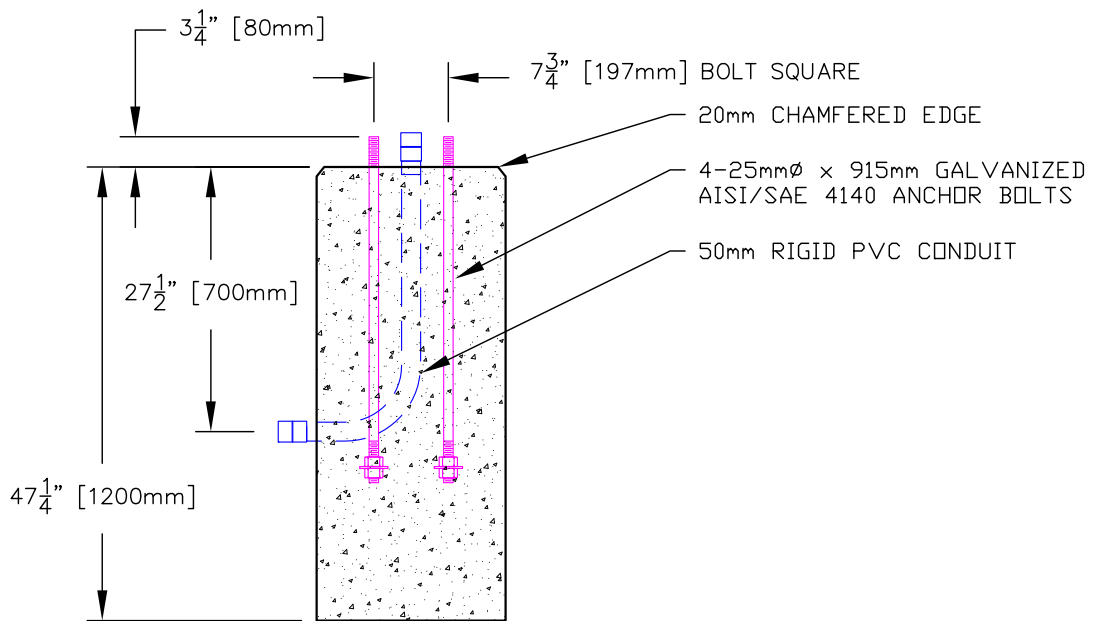


LIGHT BASE MEETS MOTI
SPECIFICATION DRAWING
#SP635-1.1.2



GENERAL NOTES
 Precast concrete shall be exposure Class HSe and meet min compressive strength of 30MPa @28d
 Air Category: 4.0% - 7.0% (except where zero-slump concrete is used)
 Aggregate: CSA/CAN A23.4 Maximum Size: 20mm
 Admixtures: CSA/CAN A23.4
 Reinforcing: Grade 400W CSA G30.18, 3x12 W2.5/W2.5
 Inserts/Embeds: As noted in drawing details
 Manufacture of precast concrete units shall be in accordance with specification CSA A23.4
 ** LEKO PRECAST LTD SHALL NOT BE RESPONSIBLE FOR ANY INSTALLATION PRACTICES FOLLOWED ON-SITE UNLESS PERFORMED BY LEKO PRECAST LTD **
 575Kg (1,265 LBS)



Type 'A' Light Base

DRAWN BY: JA	CHECKED BY:	APPROVED BY:	DATE: Sept 2016
ASSEMBLY DWG.	PREVIOUS DWG.	DRAWING NO. L1004	REVISION 0
SCALE: 1:20	ISOMETRIC: 1:20		
DO NOT SCALE THIS DRAWING			