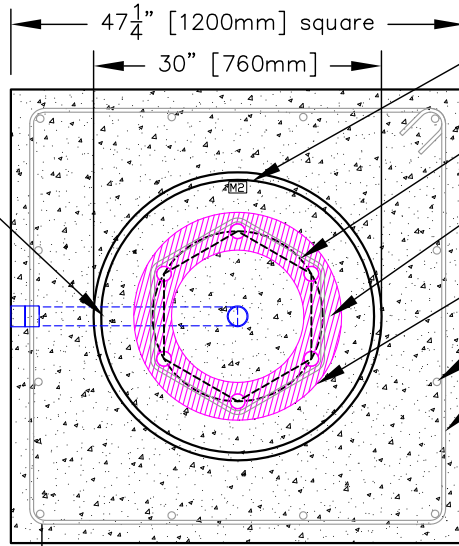
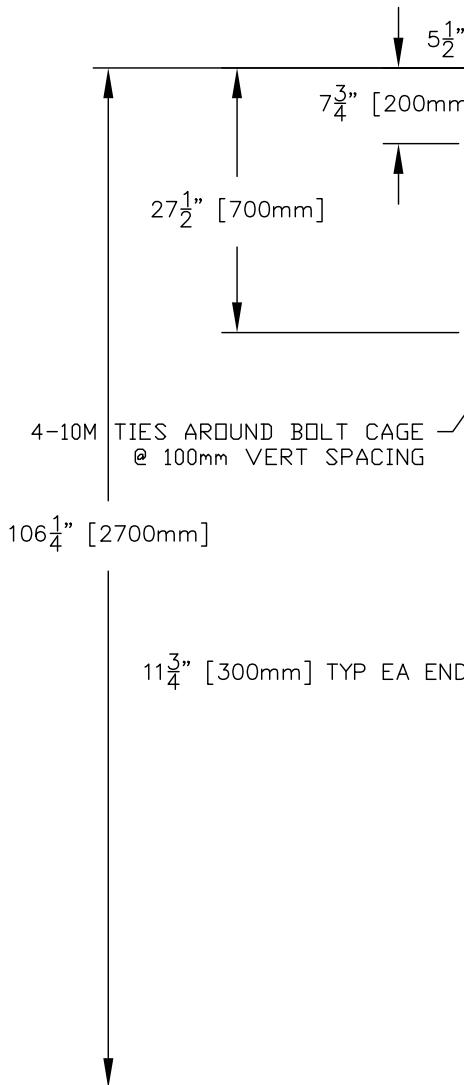


RAIN GROOVE V-NOTCH



- M2 STAMPED ON TOP OF BASE
- 450mm BOLT CIRCLE
225mm BOLT HEXAGON
- 6-38mm ϕ x 1,370mm GALVANIZED
AISI/SAE 4140 ANCHOR BOLTS
- 550mm ϕ X 20MM THK PLATE
c/w 6-40mm ϕ HOLES
- 20m VERT REBAR, 4 EA FACE
- 10m HZ REBAR @ 340mm o/c

LIGHT BASE MEETS MOTI
SPECIFICATION DRAWINGS
#SP635-1.1.23 TO SP635-1.1.25



- 20mm CHAMFERED EDGE
- 6-38mm ϕ x 1,370mm GALVANIZED
AISI/SAE 4140 ANCHOR BOLTS
- 50mm RIDIG PVC CONDUIT
- 10m HZ @ 400mm o/c
- 20m VERT REBAR, 4 EA FACE
- 550mm ϕ X 20MM THK PLATE
c/w 6-40mm ϕ HOLES TYP
TOP AND BOTTOM OF CAGE

GENERAL NOTES	
Precast concrete shall be exposure Class HSe and meet min compressive strength of 30MPa @28d	
Air Category: 4.0% - 7.0% (except where zero-slump concrete is used)	
Aggregate: CSA/CAN A23.4 Maximum Size: 20mm	
Admixtures: CSA/CAN A23.4	
Reinforcing: Grade 400W CSA G30.18, 3x12 W2.5/W2.5	
Inserts/Embeds: As noted in drawing details	
Manufacture of precast concrete units shall be in accordance with specification CSA A23.4	
** LEKO PRECAST LTD SHALL NOT BE RESPONSIBLE FOR ANY INSTALLATION PRACTICES FOLLOWED ON-SITE UNLESS PERFORMED BY LEKO PRECAST LTD **	
8,850Kg (19,500 LBS)	



MOTI Type 'M2' Light Base

DRAWN BY: JA	CHECKED BY:	APPROVED BY:	DATE: MAY 2019
ASSEMBLY DWG.	PREVIOUS DWG.	DRAWING NO. L1015	REVISION 1
SCALE: 1:20	ISOMETRIC: 1:20		
DO NOT SCALE THIS DRAWING			