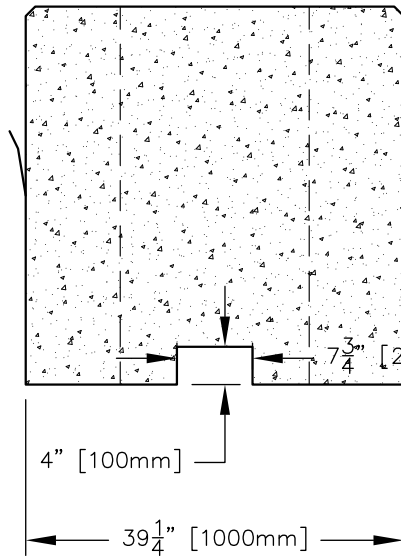
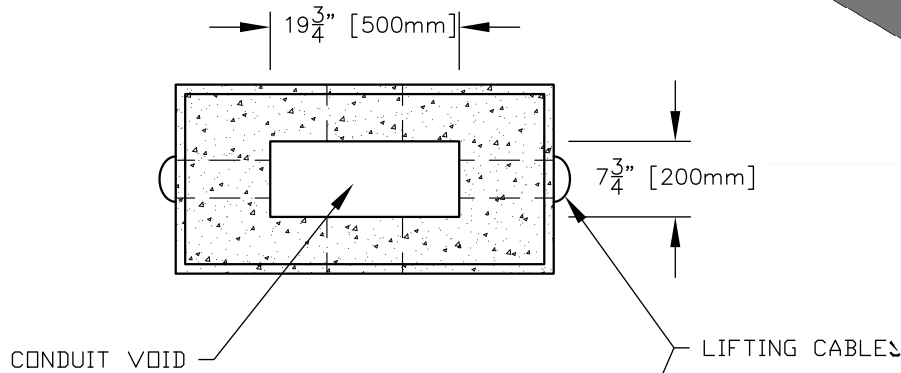
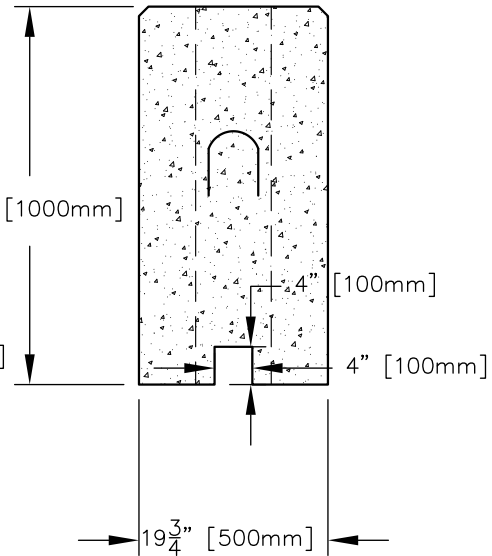


PEDESTAL TOP VIEW



PEDESTAL FRONT VIEW



PEDESTAL SIDE VIEW

GENERAL NOTES

Precast concrete shall be exposure Class HSe and meet min compressive strength of 30MPA @28d

Air Category: 4.0% - 7.0% (except where zero-slump concrete is used)

Aggregate: CSA/CAN A23.4 Maximum Size: 20mm

Admixtures: CSA/CAN A23.4

Reinforcing: Grade 400W CSA G30.18, 3x12 W2.5/W2.5

Inserts/Embeds: As noted in drawing details

Manufacture of precast concrete units shall be in accordance with specification CSA A23.4

**** LEKO PRECAST LTD SHALL NOT BE RESPONSIBLE FOR ANY INSTALLATION PRACTICES FOLLOWED ON-SITE UNLESS PERFORMED BY LEKO PRECAST LTD ****

935Kg (2,060 LBS)

SUITS CITY OF KELOWNA SD SS-IR-14



IRRIGATION PEDESTAL			
DRAWN BY: JA	CHECKED BY:	APPROVED BY:	DATE: AUG 2018
ASSEMBLY DWG.	PREVIOUS DWG.	DRAWING NO. L2017	REVISION 1
SCALE: 1:20	ISOMETRIC: 1:20	DO NOT SCALE THIS DRAWING	