

**GENERAL NOTES**

Precast manhole units shall be manufactured in accordance with CSA A257 and ASTM C478

Precast concrete shall be exposure Class HSe and meet min compressive strength of 30MPa @28d

Air Category: 4.0% - 7.0% (except where zero-slump concrete is used)  
Aggregate: CSA/CAN A23.4 Maximum Size: 20mm

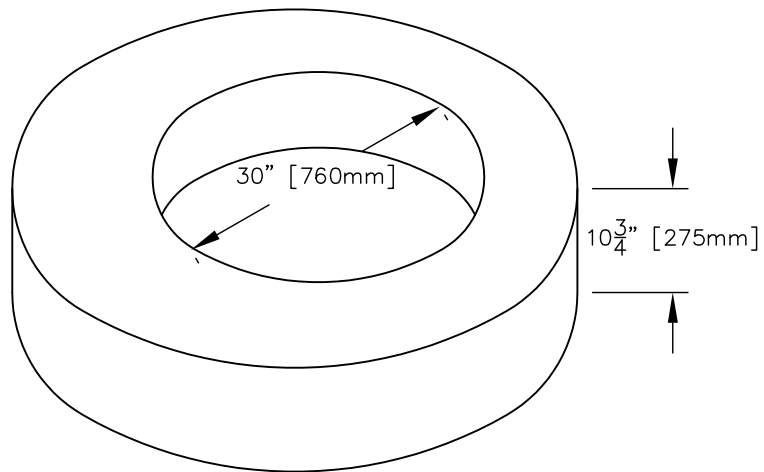
Admixtures: CSA/CAN A23.4  
Reinforcing: Grade 400W CSA G30.18, 3x12 W2.5/W2.5

Inserts/Embeds: As noted in drawing details

Manufacture of precast concrete units shall be in accordance with specification CSA A23.4

\*\* LEKO PRECAST LTD SHALL NOT BE RESPONSIBLE FOR ANY INSTALLATION PRACTICES FOLLOWED ON-SITE UNLESS PERFORMED BY LEKO PRECAST LTD \*\*

470kg (1,030 LBS)



42" (1060mm) MANHOLE LID w/30" (760mm) OPENING

DRAWN BY: JA	CHECKED BY:	APPROVED BY:	DATE: January 2017
ASSEMBLY DWG.	PREVIOUS DWG.	DRAWING NO. M4211	REVISION 3
SCALE: 1:20	ISOMETRIC: 1:20		
DO NOT SCALE THIS DRAWING			