

GENERAL NOTES

Precast manhole units shall be manufactured in accordance with CSA A257 and ASTM C478

Precast concrete shall be exposure Class HSe and meet min compressive strength of 30MPa @28d

Air Category: 4.0% - 7.0% (except where zero-slump concrete is used)

Aggregate: CSA/CAN A23.4 Maximum Size: 20mm

Admixtures: CSA/CAN A23.4

Reinforcing: Grade 400W CSA G30.18, 3x12 W2.5/W2.5

Inserts/Embeds: As noted in drawing details

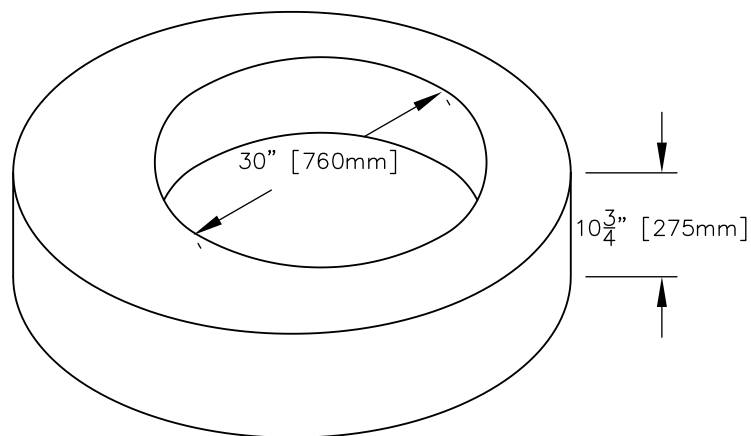
Manufacture of precast concrete units shall be in accordance with specification CSA A23.4

**** LEKO PRECAST LTD SHALL NOT BE RESPONSIBLE FOR ANY INSTALLATION PRACTICES FOLLOWED ON-SITE UNLESS PERFORMED BY LEKO PRECAST LTD ****

Designed to HS20, BCL 625 live loadings

Requires 3-4t Starcon lift clutches

665Kg (1,465 LBS)



48" (1220) MANHOLE LID w/30" (760mm) OPENING

DRAWN BY: JA	CHECKED BY:	APPROVED BY:	DATE: JULY 2020
ASSEMBLY DWG.	PREVIOUS DWG.	DRAWING NO. M4821	REVISION 4
SCALE: 1:20	ISOMETRIC: 1:20		
DO NOT SCALE THIS DRAWING			