

GENERAL NOTES

Precast concrete shall be exposure Class S and meet min compressive strength of 35MPA

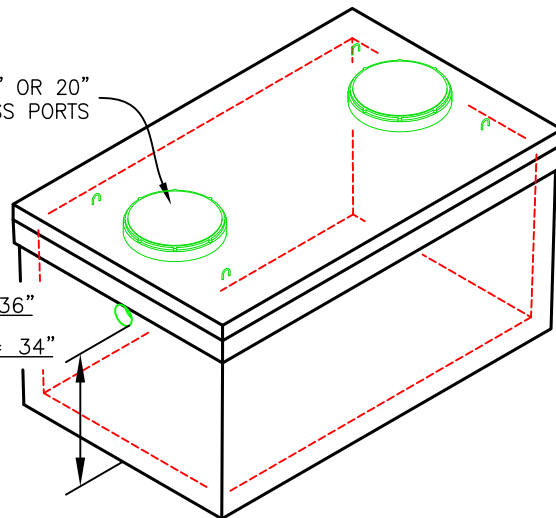
Cement: Type GU
 Air Category: 4.0% - 7.0%
 Aggregate: CSA/CAN A23.4 Maximum Size: 20mm
 Admixtures: CSA/CAN A23.4
 Reinforcing: Grade 400W CSA G30.18-09
 Inserts/Embeds: As noted in drawing details

Manufacture of precast concrete units shall be in accordance with specification CSA A23.4

**** LEKO PRECAST LTD SHALL NOT BE RESPONSIBLE FOR ANY INSTALLATION PRACTICES FOLLOWED ON-SITE UNLESS PERFORMED BY LEKO PRECAST LTD ****

3,090Kg (6,800 LBS)

(2) 24" OR 20" TUFTITE ACCESS PORTS



INVERT HEIGHT "IN" = 36"

INVERT HEIGHT "OUT" = 34"



750 IG (3400L) SINGLE COMP SEPTIC TANK

DRAWN BY: JA	CHECKED BY:	APPROVED BY:	DATE: August 2016
ASSEMBLY DWG.	PREVIOUS DWG.	DRAWING NO. S0199	REVISION 2
SCALE: 1:30	ISOMETRIC: 1:50		
DO NOT SCALE THIS DRAWING			