

GENERAL NOTES

Precast concrete shall be exposure Class S and meet min compressive strength of 35MPA

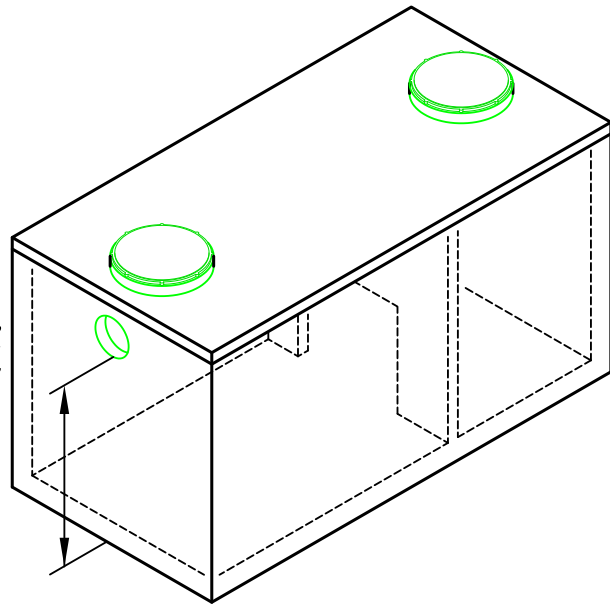
Cement: Type GU
 Air Category: 4.0% - 7.0%
 Aggregate: CSA/CAN A23.4 Maximum Size: 20mm
 Admixtures: CSA/CAN A23.4
 Reinforcing: Grade 400W CSA G30.18-09
 Inserts/Embeds: As noted in drawing details

Manufacture of precast concrete units shall be in accordance with specification CSA A23.4

**** LEKO PRECAST LTD SHALL NOT BE RESPONSIBLE FOR ANY INSTALLATION PRACTICES FOLLOWED ON-SITE UNLESS PERFORMED BY LEKO PRECAST LTD ****

4,710Kg (10,360 LBS)

INVERT HEIGHT "IN" = 52"
INVERT HEIGHT "OUT" = 50"



1000 IG (4550L) SINGLE COMP SEPTIC TANK

DRAWN BY: JA	CHECKED BY:	APPROVED BY:	DATE: NOVEMBER 2022
ASSEMBLY DWG.	PREVIOUS DWG.	DRAWING NO. S0201	REVISION 3
SCALE: 1:30	ISOMETRIC: 1:50		
DO NOT SCALE THIS DRAWING			