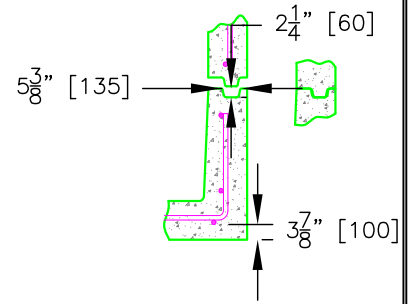


TYPICAL JOINT DETAIL



GENERAL NOTES

Precast concrete shall be exposure Class S and meet min compressive strength of 35MPA

Cement: Type GU
 Air Category: 4.0% - 7.0%
 Aggregate: CSA/CAN A23.4 Maximum Size: 20mm
 Admixtures: CSA/CAN A23.4
 Reinforcing: Grade 400W CSA G30.18-09
 Inserts/Embeds: As noted in drawing details

Manufacture of precast concrete units shall be in accordance with specification CSA A23.4

** LEKO PRECAST LTD SHALL NOT BE RESPONSIBLE FOR ANY INSTALLATION PRACTICES FOLLOWED ON-SITE UNLESS PERFORMED BY LEKO PRECAST LTD **

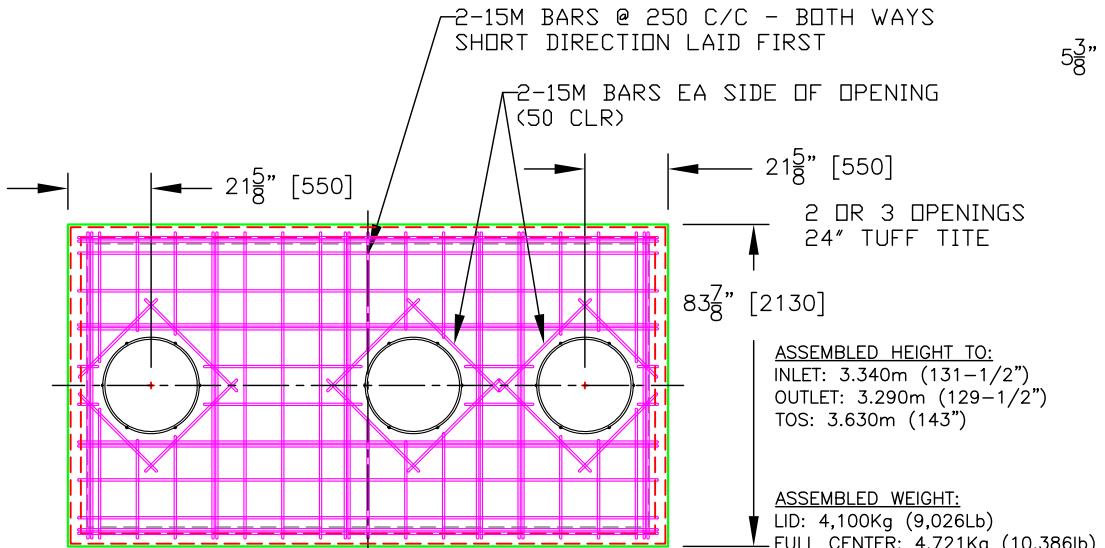
TOTAL VOLUME OF LID
 1110 LITRES -OR-
 295 U.S. GALLONS

TOTAL VOLUME OF MIDDLE
 9150 LITRES -OR-
 2420 U.S. GALLONS

TOTAL VOLUME OF MIDDLE
 9150 LITRES -OR-
 2420 U.S. GALLONS

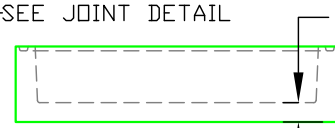
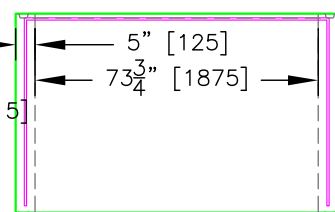
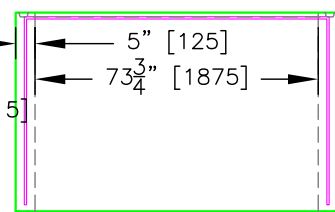
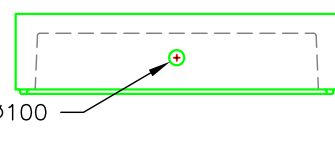
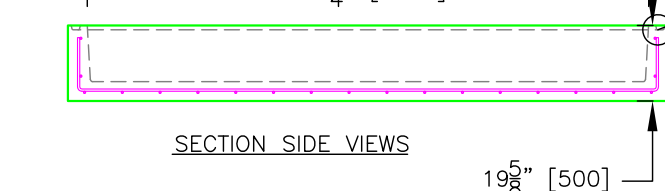
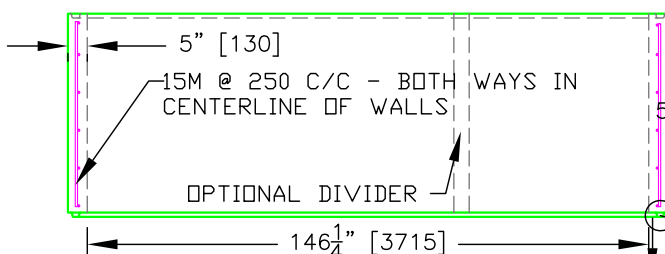
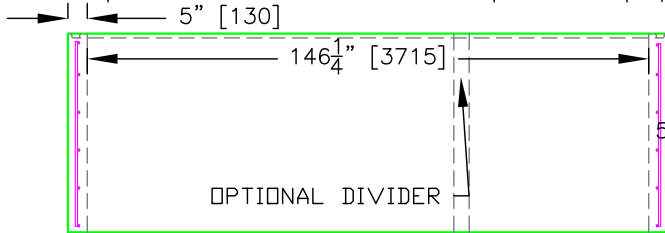
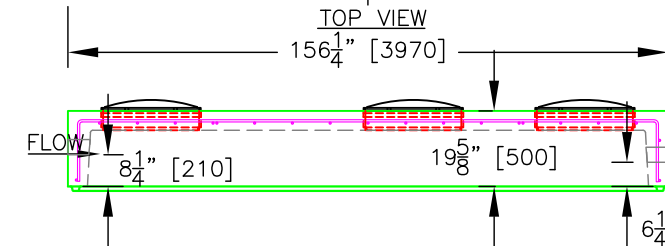
TOTAL VOLUME OF BOTTOM
 2590 LITRES -OR-
 685 U.S. GALLONS

TOTAL APROX COMBINED VOLUME:
 APPROX. 22,000 LITRES
 OR 5820 U.S. GALLONS (4890 iGAL)



ASSEMBLED HEIGHT TO:
 INLET: 3.340m (131-1/2")
 OUTLET: 3.290m (129-1/2")
 TOS: 3.630m (143")

ASSEMBLED WEIGHT:
 LID: 4,100Kg (9,026Lb)
 FULL CENTER: 4,721Kg (10,386lb)
 FULL CENTER: 4,721Kg (10,386lb)
 BOTTOM: 4,100Kg (9,026lb)
 TOTAL WEIGHT: 17,642Kg (38,812lb)



SECTION SIDE VIEWS

SECTION END VIEWS



5800 US GAL TANK SINGLE COMPARTMENT

| | | | |
|---------------------------|----------------|-----------------------|----------------------|
| DRAWN BY: JA | CHECKED BY: | APPROVED BY: | DATE: August 2016 |
| ASSEMBLY DWG. | PREVIOUS DWG. | DRAWING NO. S0207F | REVISION 3 |
| SCALE: 1:50 | ISOMETRIC: N/A | | |
| DO NOT SCALE THIS DRAWING | | | |