

User Manual

Introduction

Welcome to use Visual Presenter

Visual presenter is a device that captures images by a video camera mounted vertically on a base. The video image is then converted to an electronic signal that can be transmitted to other equipments such as projector, large-screen projection television, common television, LCD monitors, etc. Is designed for users to display terminal on the demonstration in kind, text, picture and the development of the technical and design products. Before using presenter, please read the manual carefully and properly keep it as a reference for future use.

Contents

Chapter I . Products Overview

1.1 Products Description

1.1.1 Packing Detail List

1.1.2. Components

1.2 Products Appearance and Parameter

1.2.1 Products Appearance

1.2.2 Products Parameter

Chapter II .Document Camera User Guide

2.1 Connection and Operation Instruction

2.1.1. Connection

2.1.2. Operation Instruction

2.2 Control panel buttons and Remote Controller Instruction

Chapter III Troubleshooting and Solution

3.1 Troubleshooting and Solution

Chapter I Products Overview

1.1 Product Description

1.1.1 Packing detail list

Item No.	Description	Quantity
1	Document Camera	1pc
2	AC Power Cable	1pc
3	RGB cable	1pc
4	User Manual	1pc
5	Power Adapter	1pc
6	RS232 Cable(Optional)	1pc
7	USB Cable (Option)	1pc
8	Remote Controller (Option)	1pc

1.1.2 Components

1. Camera
2. Len slide pole
3. Arm Lamps
4. Control Panel
5. Demo Table-board
6. IR receive window



1.2 Products Appearance and Parameter

1.2.1 Products Appearance



1.2.2 Products Parameter

(1) Input Port:

HDMI x 1, VHA x1, Mic x1

(2) Output Port:

HDMI x 1, VHA x1, Mic x1

(3) Control port

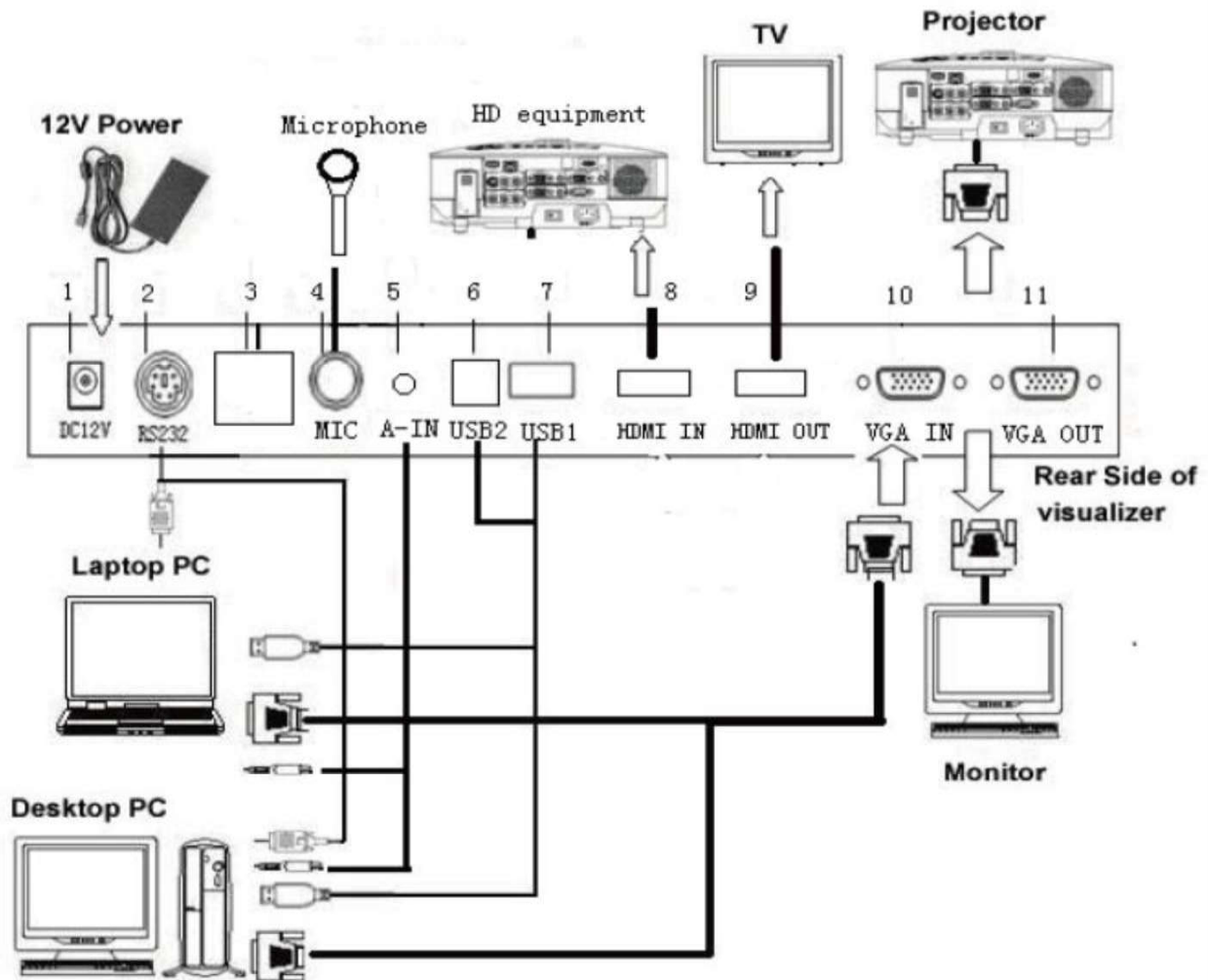
USB x 1 (Optional), RS232 x 1 (Optional), SD socket x 1(Optional), LCD x 1 (Optional)

Chapter II .Document Camera User Guide

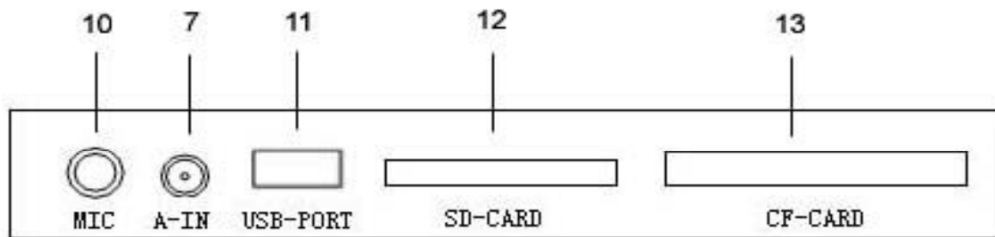
2.1 Connection and Operation Instruction

Before you turn on the document camera, please put the document camera in the proper place and make sure that all the equipments are connected correctly.

2.1.1 Connection



Slide Jack of document camera



1. **VGA—OUT/HDMI:** Connect the VGA interface of display device. Like projector, monitor and so on.
2. **VGA—IN/HDMI—IN:** Connect external VGA signals source.
3. **USB:** Connect USB port of PC.
4. **RS232:** Connect PC serial port.
5. **SVIDEO:** S-VIDEL output.
6. **V-IN:** RCA Video Input.
7. **A-IN:** Audio Input.
8. **A-OUT:** Audio Output.
9. **V-OUT:** RCA Video output
10. **MIC:** Microphone Output (Optional)
11. **USB—PORT:** USB port, for SD reader (Optional)
12. **SD—CARD:** SD Card input
13. **CF—CARD:** CF Card input.
14. **DC12V:** DC12V power interface

2.1.2. Operation Instruction

1. Light press the demo table board, pull the lens slide pole to your reserved place.

2. Put the arm lamps down, adjust the angle of lamps to proper place.

3. Rotate camera, adjust the angel vertical to the dome table board, take off the lens cover.
4. Power on, press “Power” button on control panel, the document camera is on and works. Then you can see the demonstrate object or documents is presented on any display terminal.
5. Capture the objects which around the document camera. Rotate the camera till capture the object. Press “Auto” button on control panel for auto focus.
6. Attention: If you need to use the remote control, move the white switch out, which is near the power button. The remote control will be popup. When remote control is finished, move the white switch out, plug the controller.



7. Finish using, power off (Indicator light is off), disconnect power cable, put down the arm lamps, put down the lens pole and lightly push camera, put down the stand, to keep the document camera in a good condition.

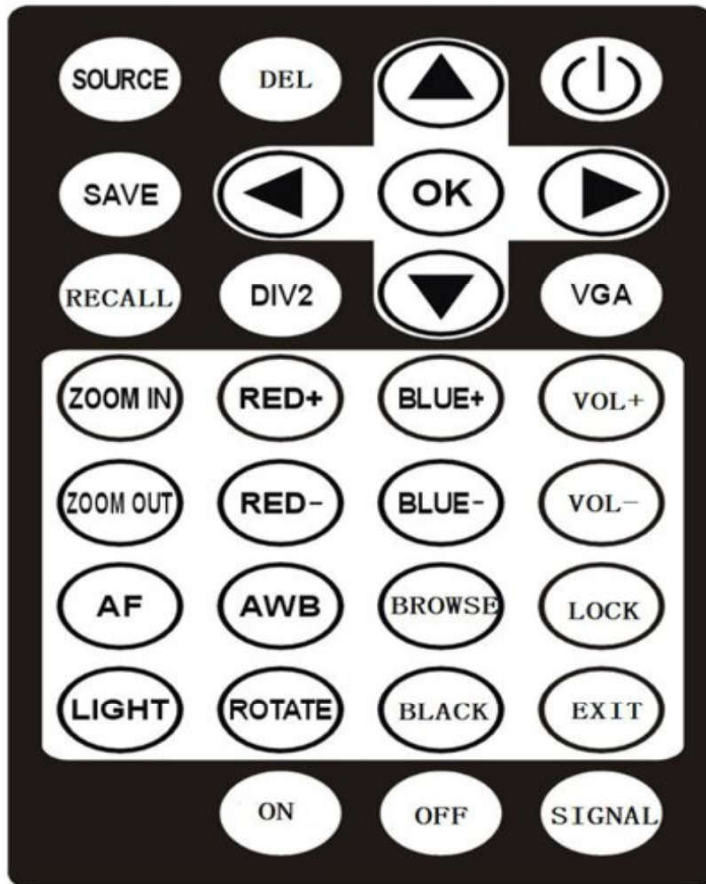
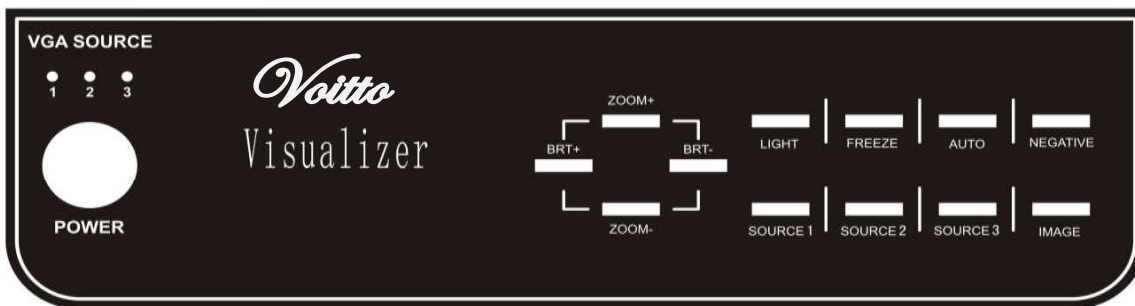


Operating



Finish using

2.2 Control panel buttons and Remote Controller Instruction



List for buttons function

Item No.	Button	Function
1	Power	Power, turn on/off document camera
2	DEL	A key to delete all pictures
3	SOURCE	Switch the document camera signal and external signal
4	SAVE	To save the current image. When the saved images exceed the memory, the latter will replace the former image. Note: If press this button and playback or browse, all the saved images will be deleted.
5	VGA	Adjust VGA output resolution
6	DIV2	Same screen comparison
7	RECALL	Play storage content
8	OK	Selected the playback images
9	▲/▶/▼/◀	Select the saved images
10	ZOOM IN	Zoom in the demonstrated object, press the button can enlarge the image, constantly enlarge or maximum enlarge the image if you long press the button
11	ZOOM OUT	Zoom out the demonstrated object, press the button can reduce the image, constantly reduce or maximum reduce the image if you long press the button
12	+/-RED	Manual adjust the image's red color
13	+/-BLUE	Manual adjust the image's blue color
14	+/-VOL	Manual adjust volume
15	BROWSE	Review the saved images
16	AWB	Auto white balance
17	AF	Auto focus
18	LIGHT	Back lamp and arm lamps can be converted, or all are closed.

19	ROTATE	Image mirroring and rotation function
20	BLACK	Switch image between chromatic color and black&white
21	EXIT	Exit browser or exit store pictures
22	ON	Turn on projector
23	OFF	Turn off projector
24	SIGNAL	Choose projector signal source

Some functions detailed instruction:

Zoom In/Out: This is the main function of the document camera. It is to adjust the shooting area and focus to zoom in or zoom out the image. Once press this button, the camera will auto focus, after focusing can do the next zoom in or zoom out.



Zoom In



Zoom Out



Focusing



Finish Focus

Positive / Negative: Positive means the image is displayed on document camera normal works condition, color is same as object. When press "Negative" button, image display as X gray effect, can be display the film.



Positive



Negative

Save Image: To save the current image. The saved image quantity will be varied with different camera. When exceed the memory, the latter image will replace the former. Select the image by ▲ /▶/▼/◀ of the remote control, then press "OK" to confirm the selection.

Chapter III Troubleshooting and Solution

3.1 Troubleshooting and Solution

Question 1: No image when turn on the document camera?

- Solutions:**
1. Check the electrical socket is energized. Change another socket for a try;
 2. Whether connect the equipments correctly. If the connection is correct, change another VGA cable for try;
 3. Make sure the lens cover has been taken off.

Question 2: Blurry focus?

- Solutions:**
1. Check whether the lens for short-distance has been installed already, the lens clean or not;
 2. Check whether the document camera is on manual focus mode, press auto focus for conversion;
 3. Reduce the magnification;
 4. Restart the document camera.

Question 3: No VGA signal output when the document camera is connected?

1. Check the VGA cable is firmly inserted;
2. Check the document camera is switched to another VGA channel;
3. Check the signal cable whether is damaged.

Question 4: When turn on the document camera, there is color deflection?

It may be caused by adjust "red+" or "blue+" button, press the button "AWB"(Auto White Balance) can solve it.

Chapter IV XGA switch instruction manual

TWAIN protocol can be realized. It can switch among WXGA, XGA and SXGA mode

Operation step:

1. Visualizer connect with terminal equipment(like monitor, projector), then turn on visualizer.

Press VGA button, then camera output signal can switch among SXGA、 XGA、 and WXGA. For details