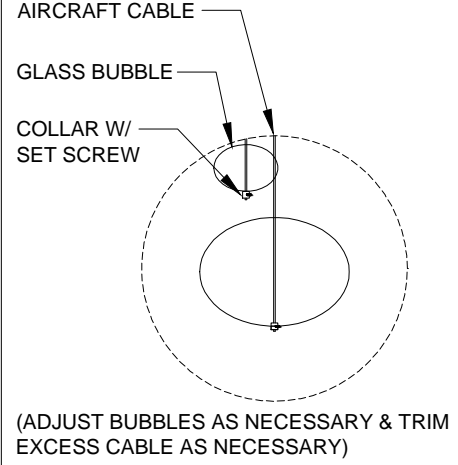
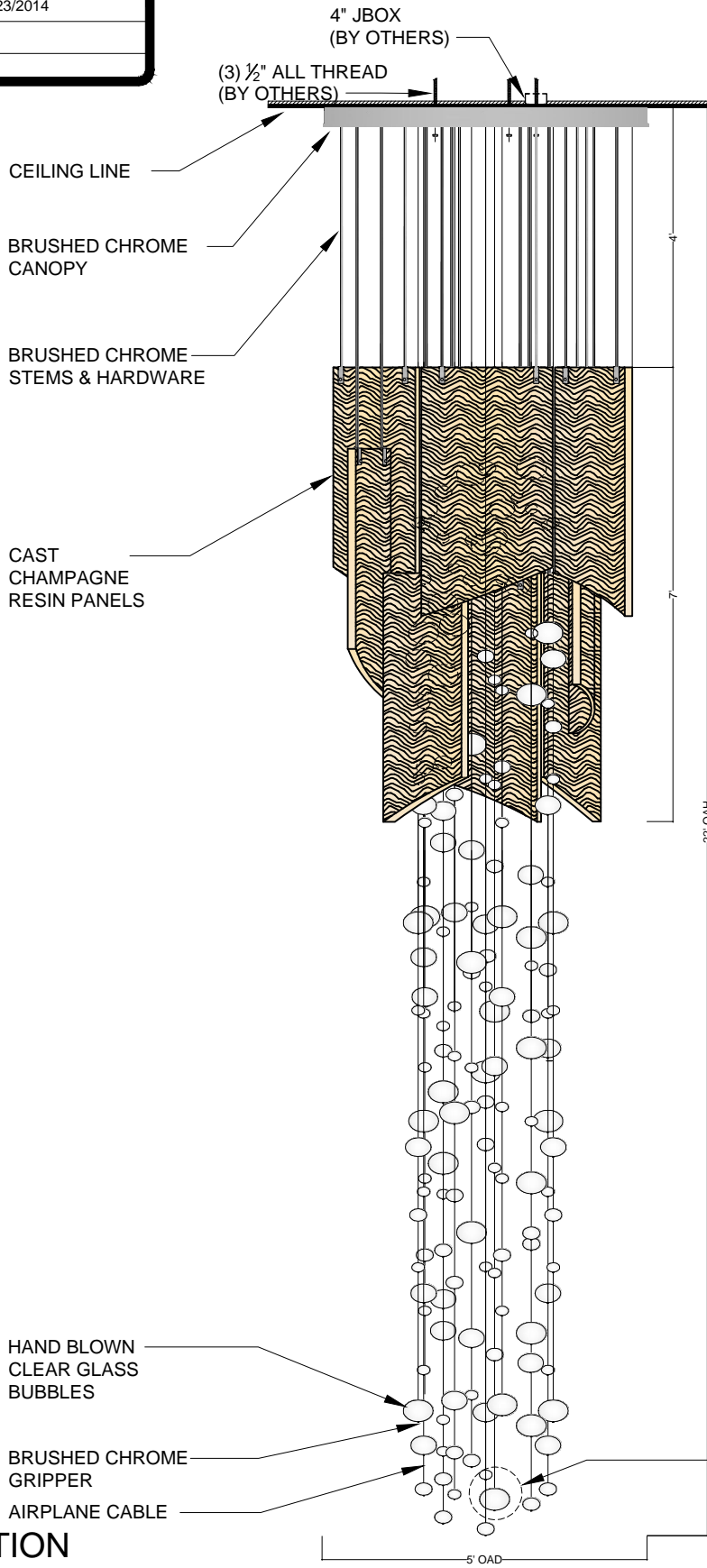


DATE:	10/23/2014
REVISION 1,2	
REVISION 3,4	



BUBBLE DETAIL
SCALE: NTS

ELEVATION

SCALE: 3/8" = 1'-0"

DESIGNER: LADCO

SIZE: 5' OAD X 22' OAH
 QUANTITY: 1
 WEIGHT: ALLOW 1500 LBS
 LAMPING: (6+3) 50W HALOGEN DOWNLIGHTS, 120V
 WATTAGE: 450 W

SPCO
 SPIELMAN RESIDENCE
 CUSTOM JELLY FISH CHANDELIER
 LT-101

Aeris Hospitality
 1306 Monte Vista Ave
 Upland, CA 91786

DATE:	10/29/2014
REVISION 1.2	
REVISION 3.4	

(5) 1/2"-13 ALL THREAD
(BY OTHERS) SECURE TO
PRIMARY STRUCTURE AS
NECESSARY (BY OTHERS)

4" OCTAGONAL
J-BOX (BY
OTHERS)

FINISHED CEILING LINE

WHITE POWDERCOAT
CANOPY

1/4" CORD

(50) CAST GLASS
PALLINO BALL

(50) CAST GLASS
PALLINO
BALLS

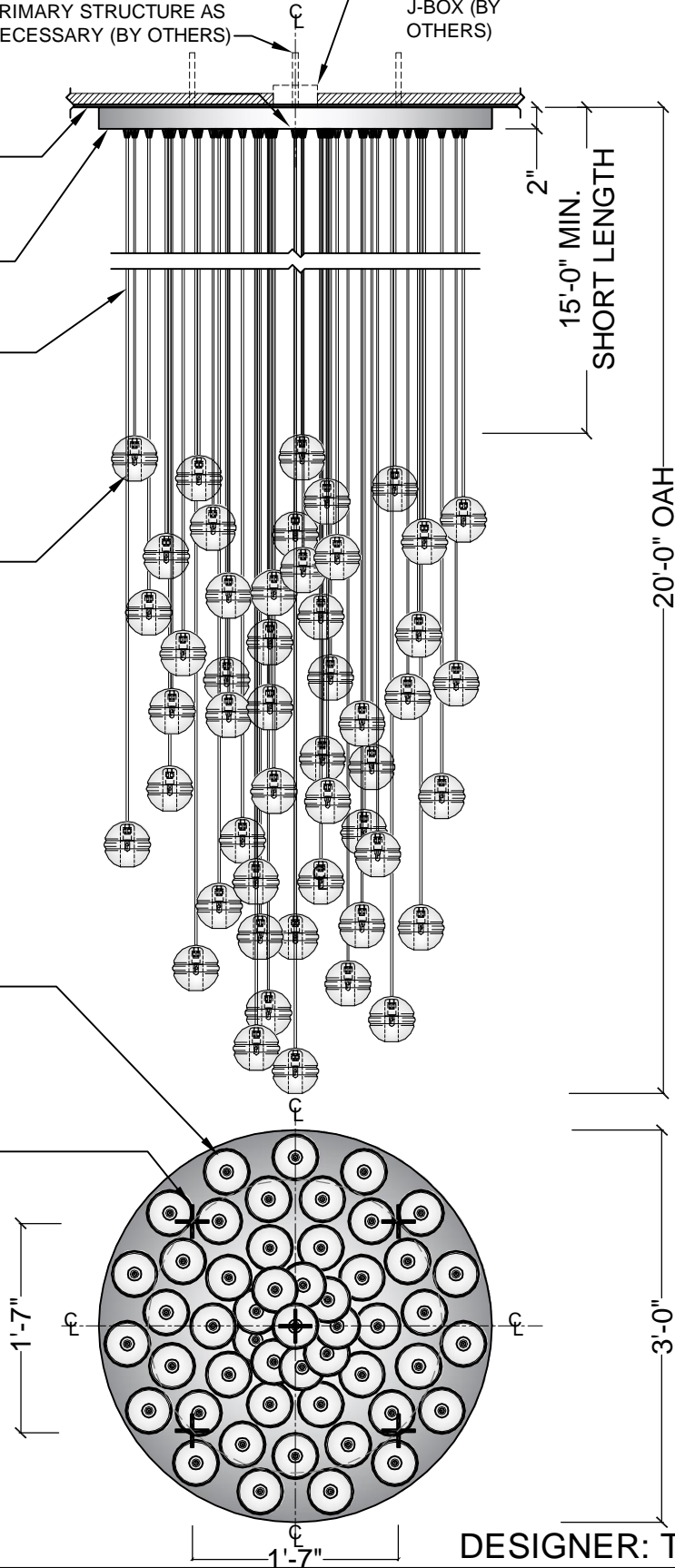
ELEVATION

SCALE: 1" = 1'-0"

(5) 1/2"-13 ALL THREAD
(BY OTHERS) SECURE TO
PRIMARY STRUCTURE AS
NECESSARY (BY OTHERS)

REFLECTED PLAN

SCALE: 1" = 1'-0"



DESIGNER: TOTAL ELECTRIC

SIZE: 36"Ø x 20'-0" H
 QUANTITY: 1
 WEIGHT: Allow for 275 lbs.
 LAMPING: (50) 10w Halogen, 120v
 WATTAGE: 500w Total

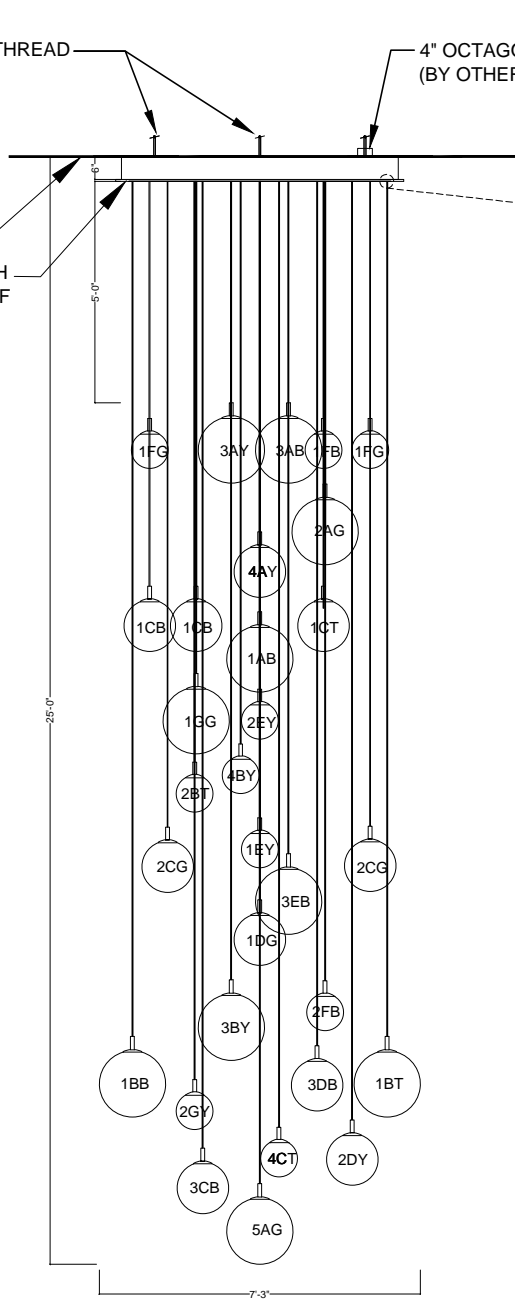
(ASCH) Total Electric
 Of Montana
 Pallino Ball Chandelier
 (1 OF 2)

Aeris Hospitality
 1306 Monte Vista Ave
 Upland, CA 91786

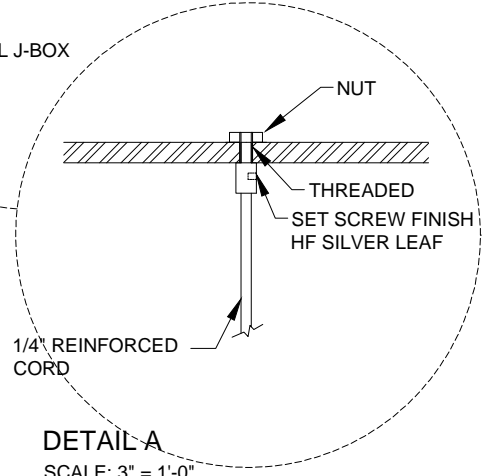
DATE:	10/01/2014
REVISION 1,2	11/05/2014 11/26/2014
REVISION 3,4	

(4) 1/2"-13 ALL THREAD (BY OTHERS)
 4" OCTAGONAL J-BOX (BY OTHERS)

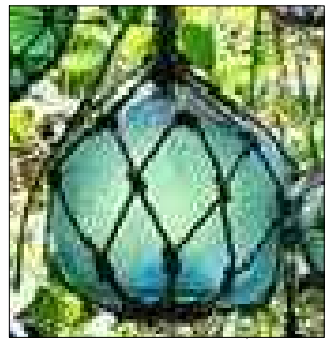
CEILING LINE
 CANOPY FINISH
 HF SILVER LEAF



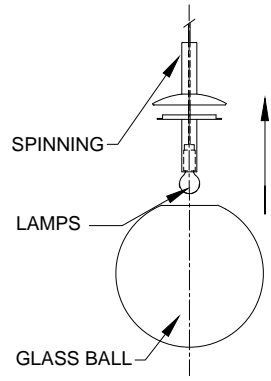
ELEVATION
 SCALE: 1/4" = 1'-0"



DETAIL A
 SCALE: 3" = 1'-0"



DETAIL B
 SCALE: NTS
 ROPE DETAIL



DETAIL C
 SCALE: 1" = 1'-0"

NOTE: FIXTURE IS UL LISTED

DESIGNER: HKS

SIZE: 7' OAD x APPROX 20'
 QUANTITY: 1
 WEIGHT: ALLOW 600 lbs
 LAMPING: (30) 9.5w E26 LED, 120v (UL)
 WATTAGE: ALLOW 285w

CAGH
 CARTERET GENERAL HOSPITAL
 CUSTOM GLASS GLOBE CHANDELIER

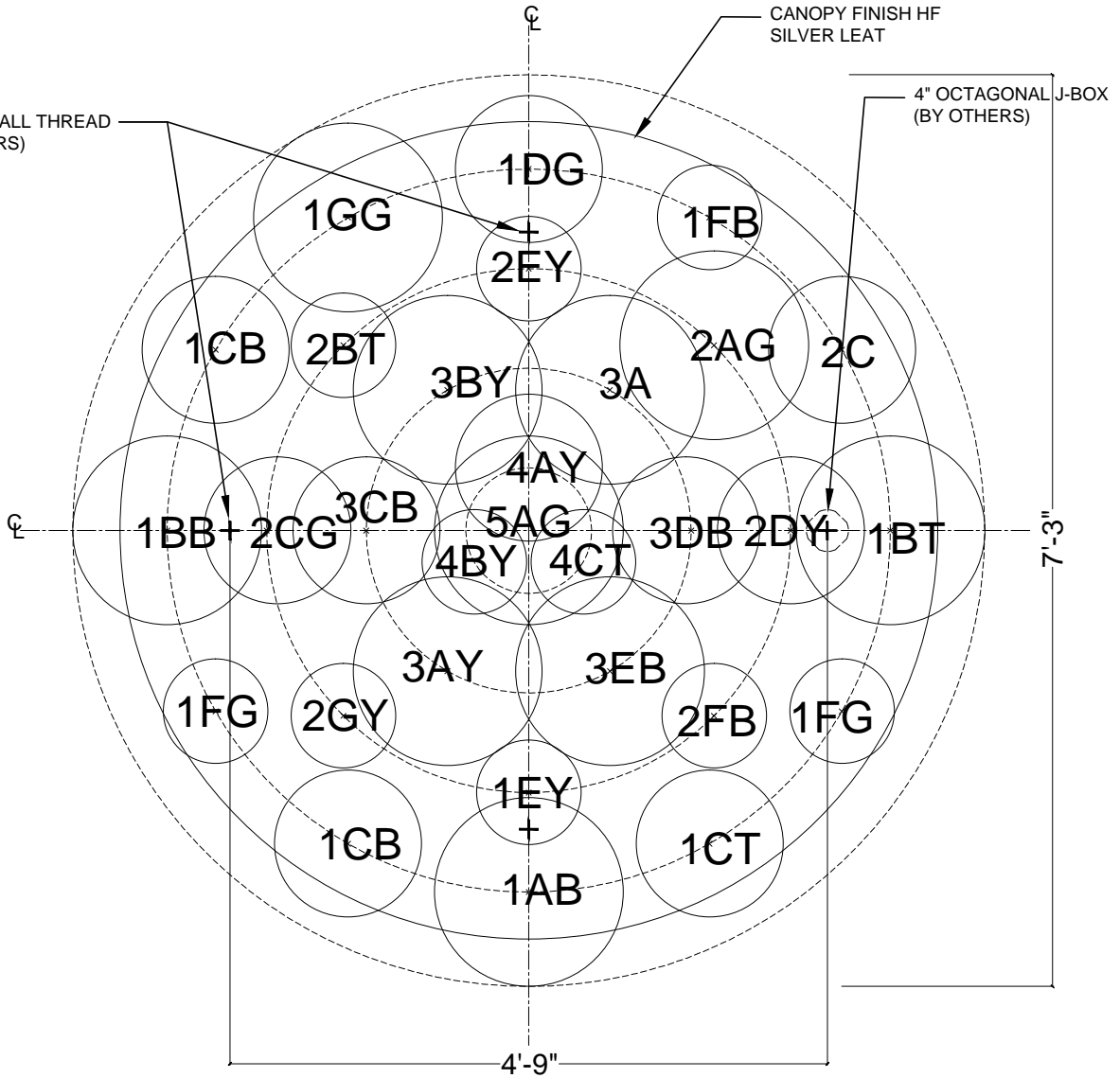
Aeris Hospitality
 1306 Monte Vista Ave
 Upland, CA 91786

DATE:	10/01/2014
REVISION 1,2	11/05/2014 11/26/2014
REVISION 3,4	

NOTE:

- 1.CANOPY IS PART OF THE LIGHT FIXTURE.
- 2.ALL EXPOSED HARDWARE HF SILVER LEAF.

(4) 1/2"-13 ALL THREAD
(BY OTHERS)



REFLECTED PLAN
SCALE: 3/4" = 1'-0"

NOTE: FIXTURE IS UL LISTED

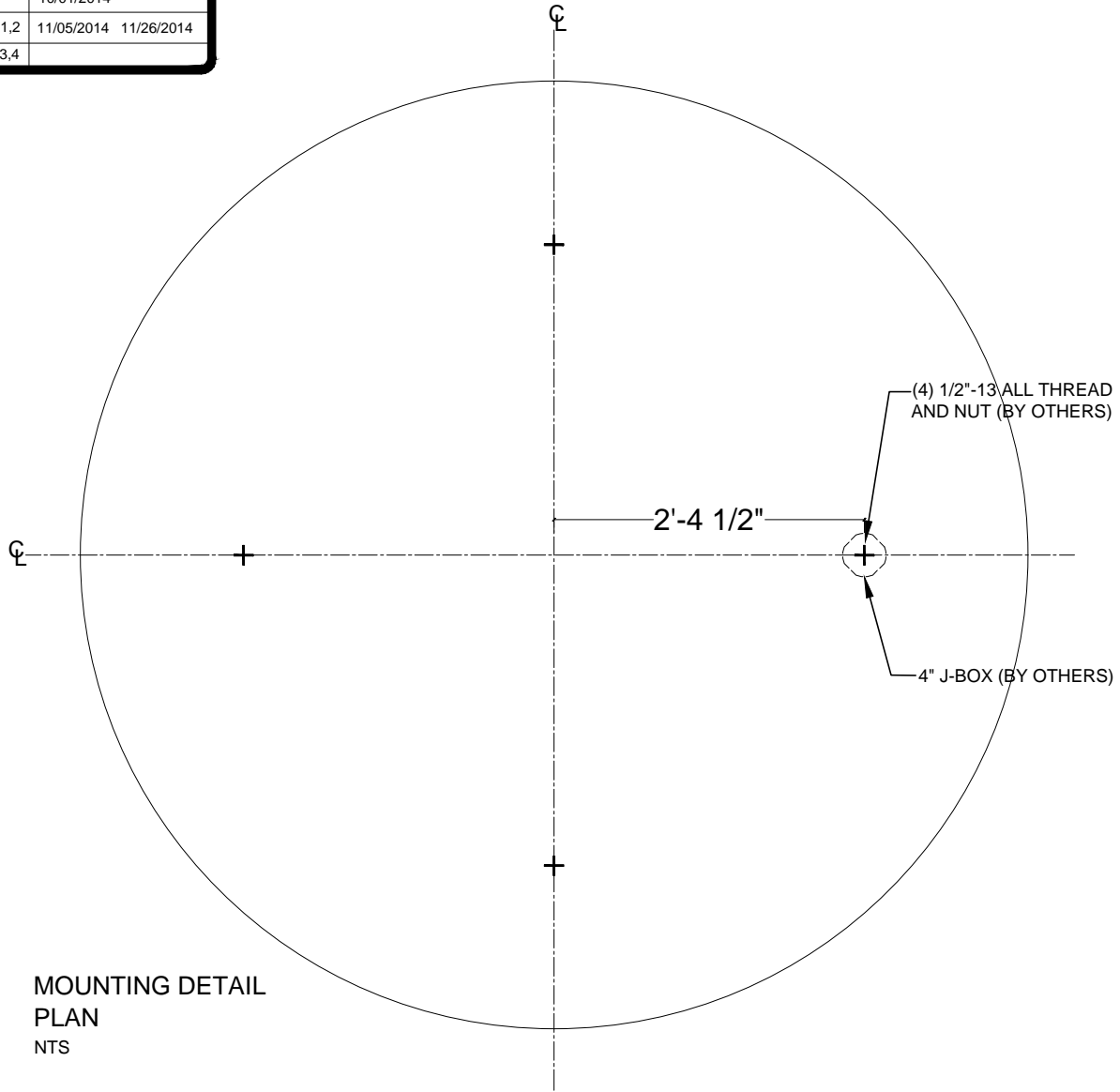
DESIGNER: HKS

SIZE: 7' OAD x APPROX 20'
QUANTITY: 1
WEIGHT: ALLOW 600 lbs
LAMPING: (30) 9.5w E26 LED, 120v (UL)
WATTAGE: ALLOW 285w

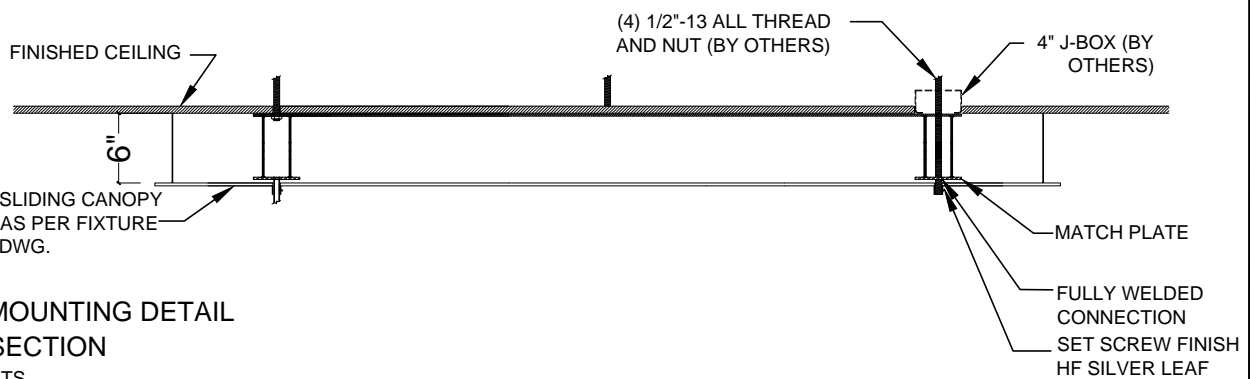
CAGH
CARTERET GENERAL HOSPITAL
CUSTOM GLASS GLOBE CHANDELIER

Aeris Hospitality
1306 Monte Vista Ave
Upland, CA 91786

DATE:	10/01/2014
REVISION 1,2	11/05/2014 11/26/2014
REVISION 3,4	



**MOUNTING DETAIL
PLAN**
NTS



**MOUNTING DETAIL
SECTION**
NTS

NOTE: FIXTURE IS UL LISTED

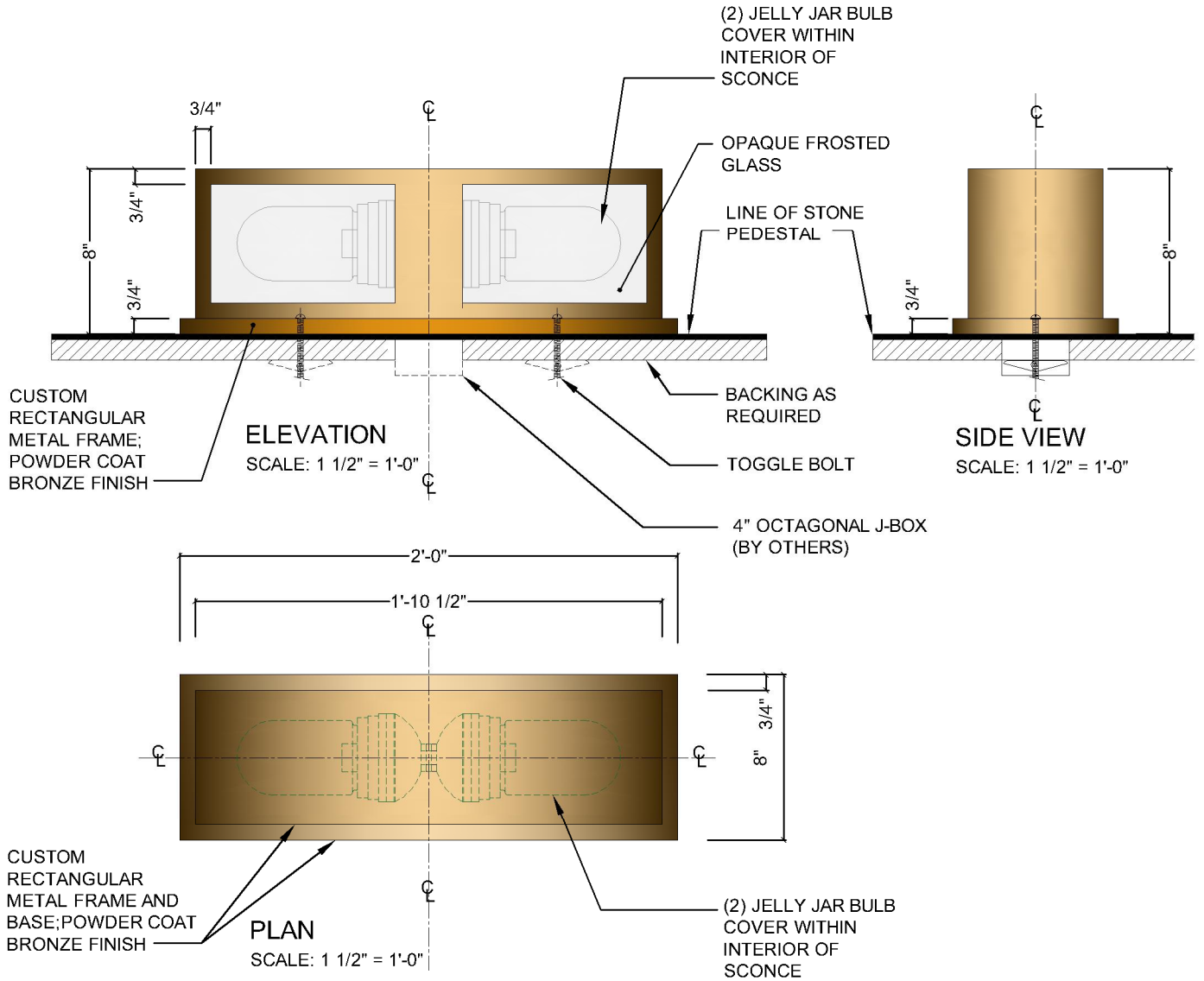
DESIGNER: HKS

SIZE: 7' OAD x APPROX 20'
 QUANTITY: 1
 WEIGHT: ALLOW 600 lbs
 LAMPING: (30) 9.5w E26 LED, 120v (UL)
 WATTAGE: ALLOW 285w

CAGH
 CARTERET GENERAL HOSPITAL
 CUSTOM GLASS GLOBE CHANDELIER

Aeris Hospitality
 1306 Monte Vista Ave
 Upland, CA 91786

DATE:	09/15/2014
REVISION 1,2	09/23/2014
REVISION 3,4	



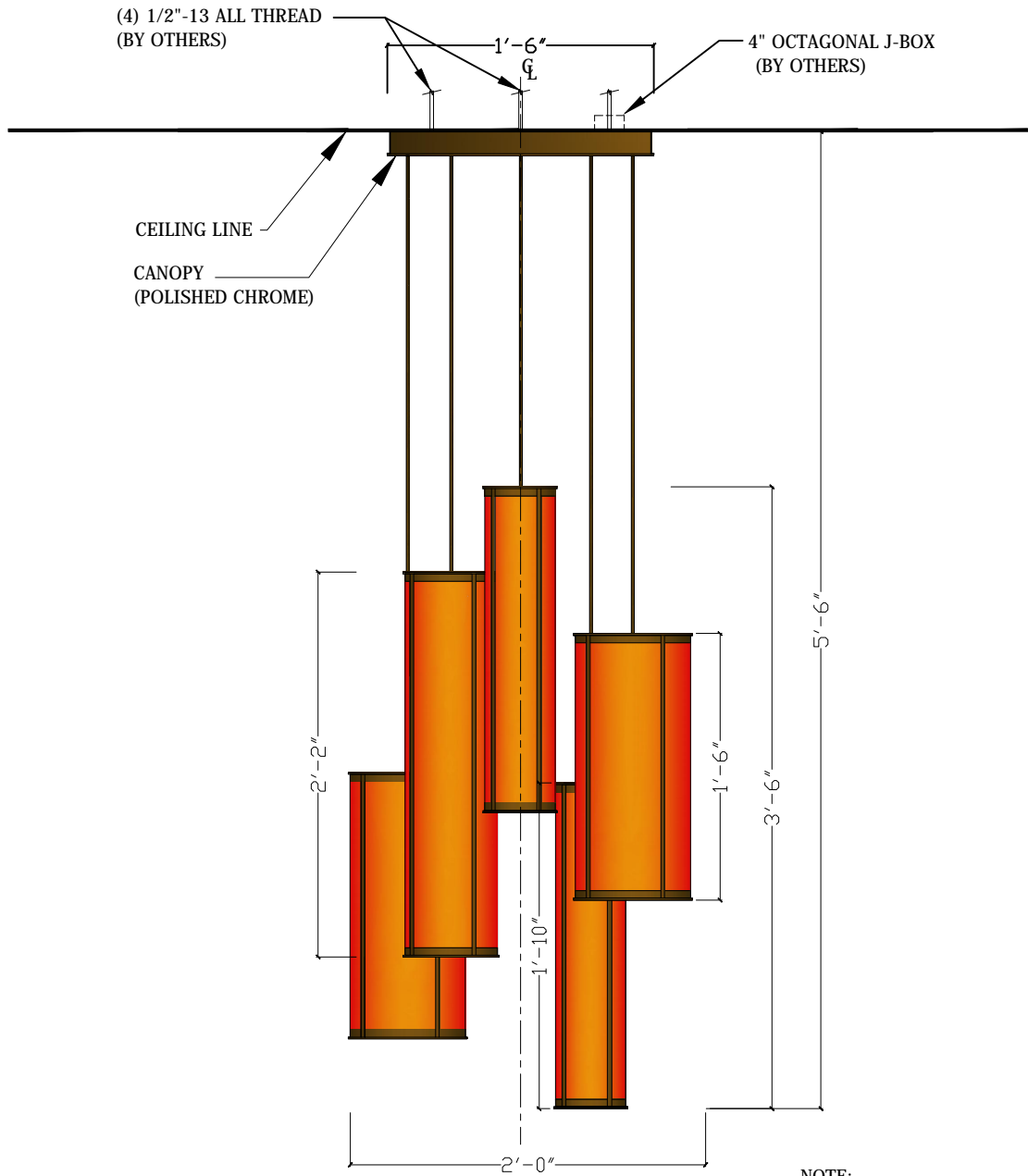
DESIGNER: CMD STUDIO

SIZE: 24"W x 8" Proj. x 8"
 QUANTITY: 1
 WEIGHT: Allow for 25 lbs.
 LAMPING: (2) 75w E26, 120v
 WATTAGE: 150 max.

(PUEX)
PULASKI EXTERIOR POST
 [Custom Exterior Pedestal Scence]

Aeris Hospitality
 1306 Monte Vista Ave
 Upland, CA 91786

DATE:	11/07/2014
REVISION 1,2	11/20/2014
REVISION 3,4	



NOTE:
 ALL METAL FINISHES, INCLUDING CANOPY
 AND STEMS= PL (POLISHED CHROME)
 ALL PENDANTS = HF (CUSTOM FIRE ORANGE
 MICA 3)

ELEVATION

SCALE: 3/4" = 1'-0"

DESIGNER: KBCO DESIGN

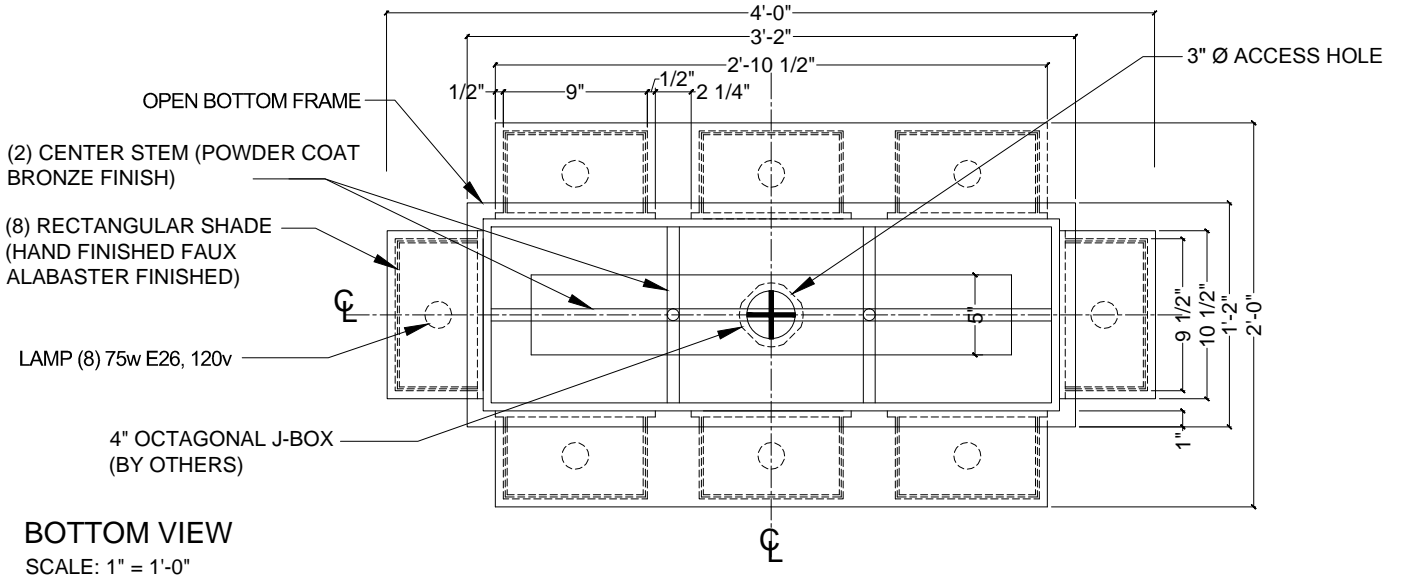
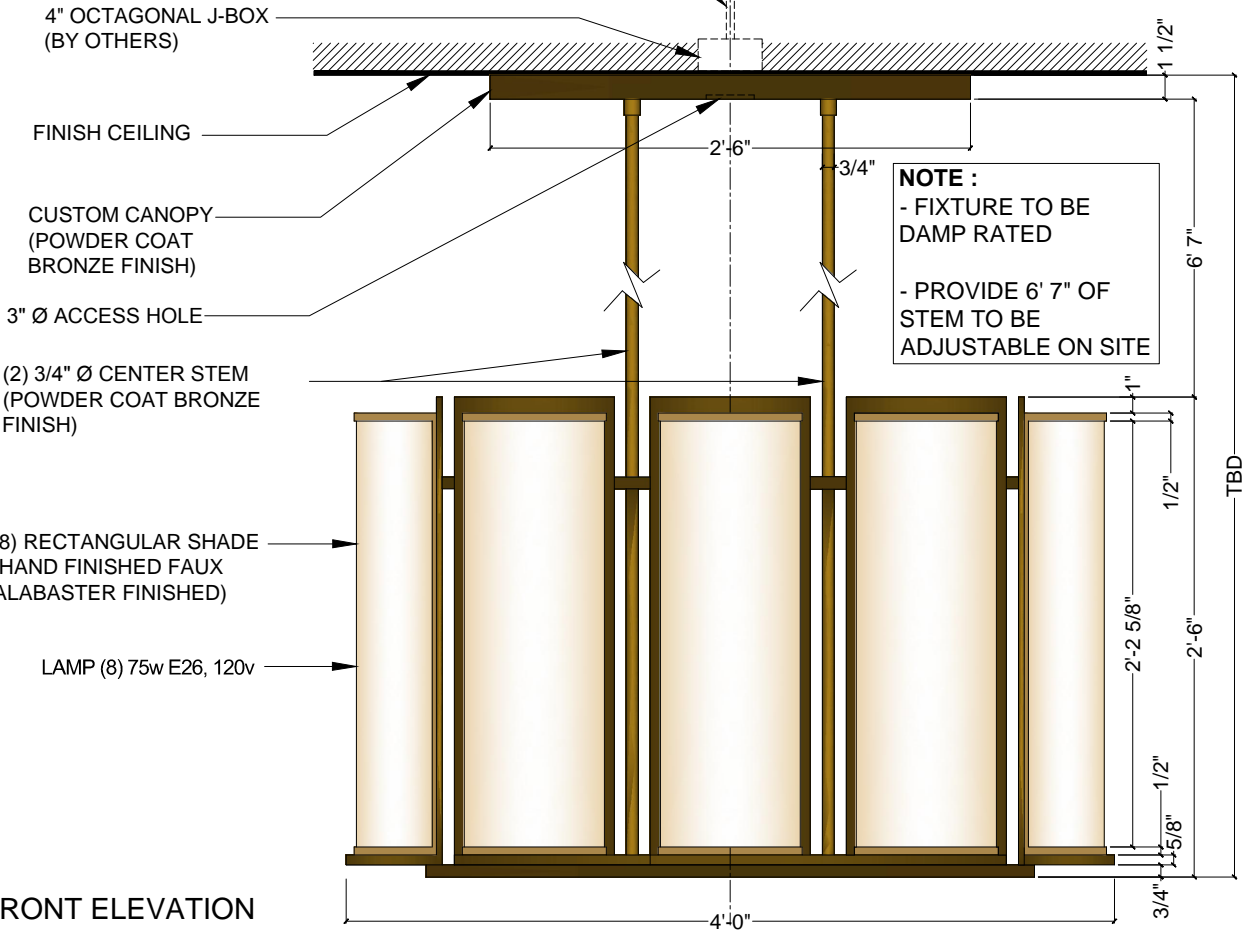
SIZE: 24"W x 5'-6"
 QUANTITY: 2
 WEIGHT: ALLOW 150 lbs
 LAMPING: (5) 40w E26, 120v
 WATTAGE: ALLOW 200w

MDSR
 MANDARA SPA
 CUSTOM CHINOISE PENDANT

Aeris Hospitality
 1306 Monte Vista Ave
 Upland, CA 91786

DATE:	09/16/2014
REVISION 1,2	09/19/2014 - 09/22/2014
REVISION 3,4	

(1) 1/2"-13 ALL THREAD
(BY OTHERS) SECURE TO
PRIMARY STRUCTURE AS
NECESSARY (BY OTHERS)



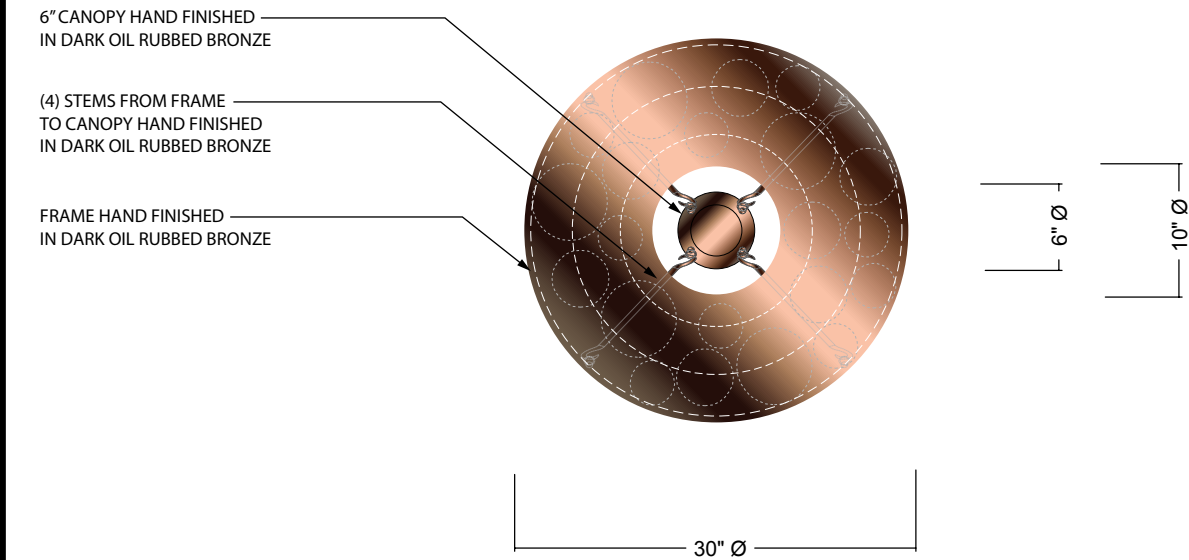
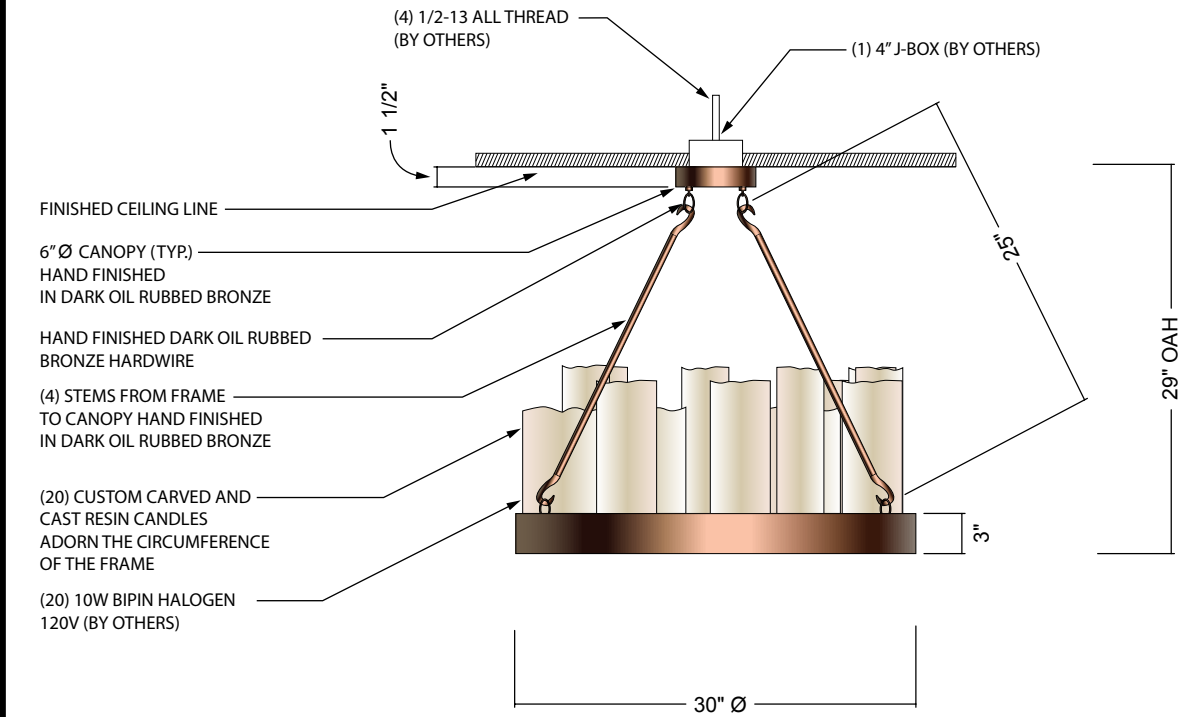
DESIGNER: CMD STUDIO

SIZE: 24"W x 48"L x 50"OAH
QUANTITY: 1
WEIGHT: ALLOW 150 lbs.
LAMPING: (8) 75W E26, 120v
WATTAGE: ALLOW 600 WATTS

CUSTOM EXTERIOR PENDANT
PUNB

Aeris Hospitality
1306 Monte Vista Ave
Upland, CA 91786

DATE:	11/25/2014
REVISION 1,2	
REVISION 3,4	



SIZE: 30" DIA X 29" OAH
 QUANTITY: 2
 WEIGHT: ALLOW 70 lbs.
 LAMPING: (20) 10W BIPIN HALOGEN, 120V
 WATTAGE: 200 WATTS TOTAL

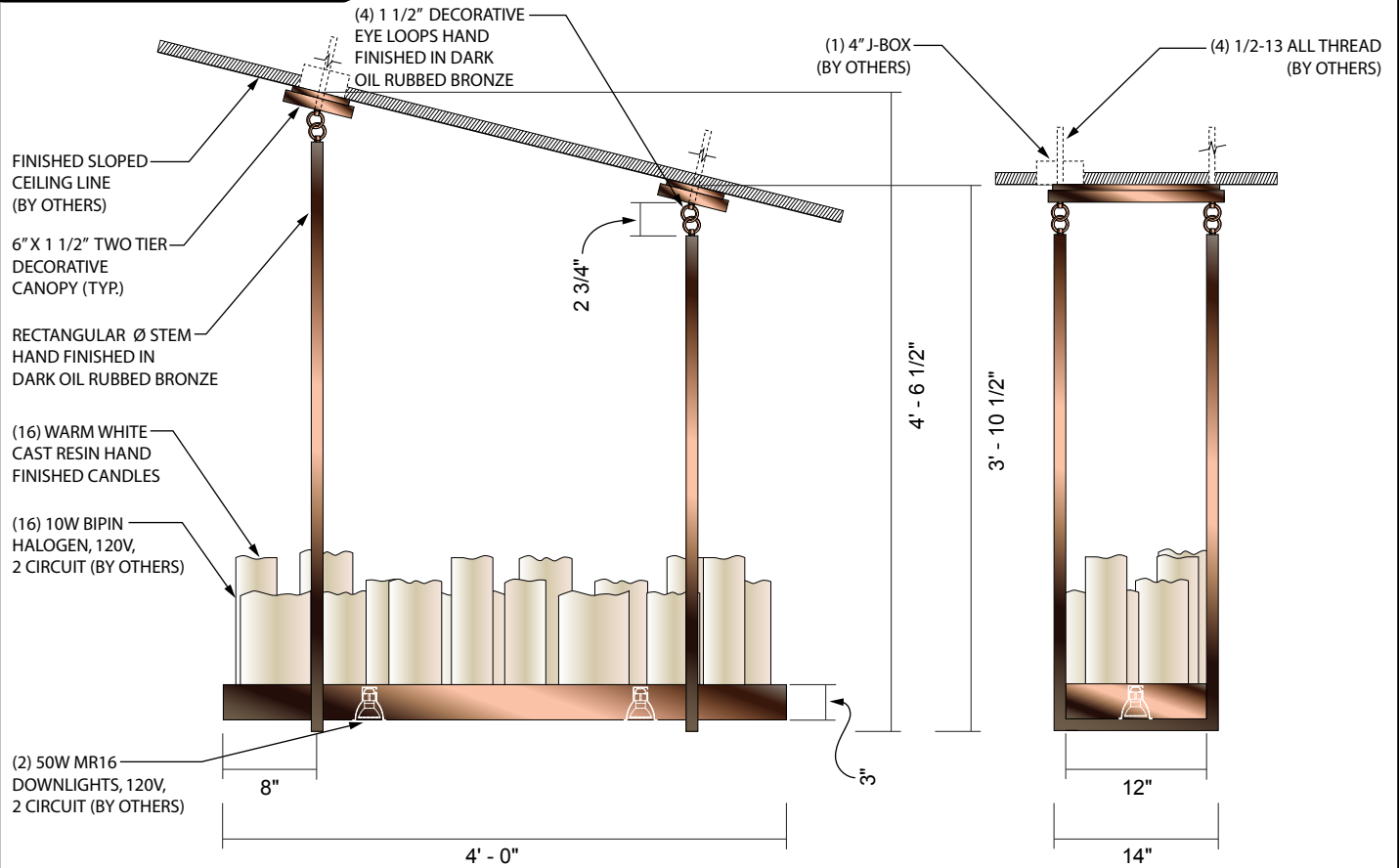
(YORKE) YORKE RESIDENCE
 ENTRY & LIVING ROOM
 CUSTOM ROUND "CERA" CHANDELIER
 @ RESIDENTIAL HOME
 PAGE 1 OF 1

Aeris Hospitality
 1306 Monte Vista Ave
 Upland, CA 91786

DATE: 11/25/2014

REVISION 1,2 11/26/2014

REVISION 3,4

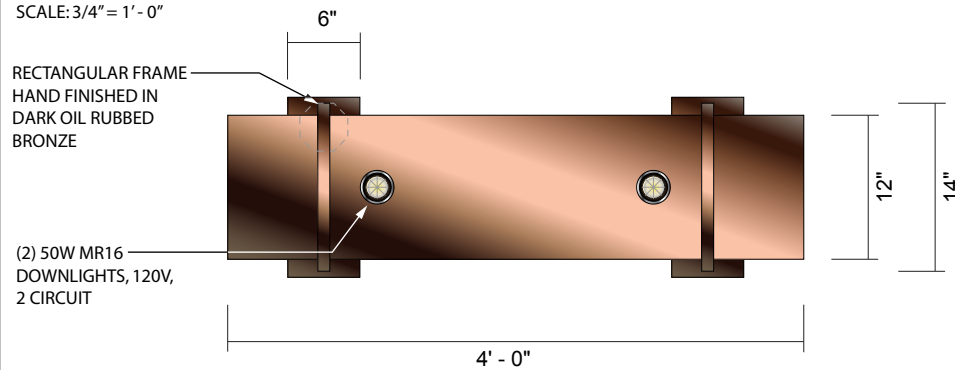


ELEVATION

SCALE: 3/4" = 1' - 0"

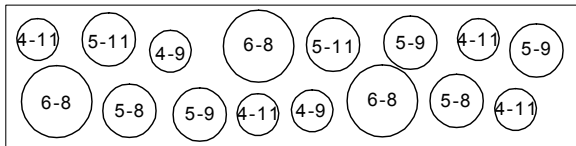
SIDE VIEW

SCALE: 3/4" = 1' - 0"



REFLECTED PLAN

SCALE: 3/4" = 1' - 0"



CANDLE LAYOUT					
COD	DIA	H	COD	DIA	H
4-9	3.5"	9"	5-9	4.5"	9"
4-11	3.5"	11"	5-11	4.5"	11"
5-8	4.5"	8"	6-8	5.5"	8"

SIZE: 48" W X 14" D 48" OAH
 QUANTITY: 1
 WEIGHT: ALLOW 75 lbs.
 LAMPING: (16) 10W BIPIN HALOGEN, 120V, 2 CIRCUIT
 (2) 50W MR16 DOWNLIGHTS, 120V, 2 CIRCUIT
 WATTAGE: 260 WATTS TOTAL (BY OTHERS)

(YORE1) YORKE RESIDENCE
 DINING ROOM
 CUSTOM "VIVA" CHANDELIER
 @ RESIDENTIAL HOME
 PAGE 1 OF 1

Aeris Hospitality
 1306 Monte Vista Ave
 Upland, CA 91786