



# In-Ground Skimmers

FOR VINYL/FIBERGLASS POOLS

Hayward in-ground pool skimmers are the preferred choice of professional pool builders. Engineered for residential applications, these large capacity skimmers are manufactured to Hayward's rigorous quality standards. Their durable, unibody construction is molded of rugged ABS, and they've been designed without submerged joints. Hayward skimmers come with multiple plumbing connections for easier installations.

All Hayward skimmers are non-corrosive, non-conductive and virtually indestructible, no matter what Mother Nature dishes out.

All vinyl/fiberglass pool skimmers are packaged with face plate, gaskets and screws.

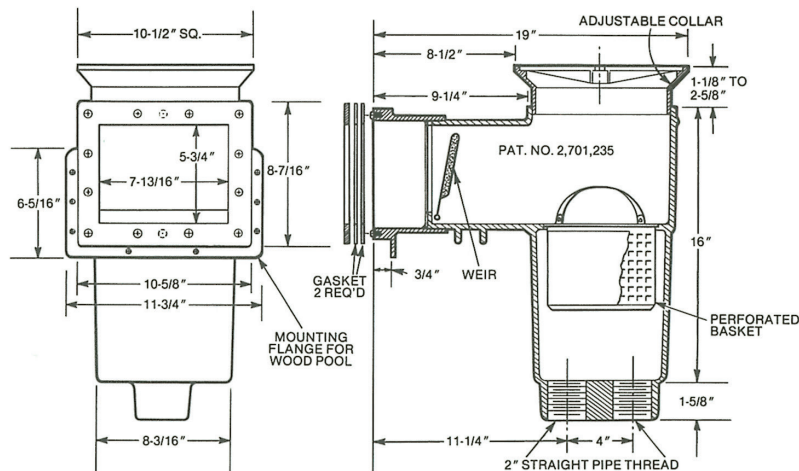


## SP 1080 Auto-Skim™ Series

Auto-Skim features include an automatic by-pass for low water conditions, adjustable cover collar, snap-in weir that adjusts automatically to water level fluctuations up to 4 1/2", a rigid, 163 cubic inch basket, integral Flo-Control slide plate and a choice of threads for piping versatility. The SP1084 line — engineered for in-ground vinyl/fiberglass applications — offers an 8 1/2" throat, a weather-beating ABS face rim for longevity, and 9 1/8" diameter round cover (10841R). They are also available with Float Valve and Equalizer Kit to meet specific NSF commercial requirements.

Model Number	Pipe Size	Cover Style	Throat Length	Ctn. Qty.	Ctn. Weight	Product Descriptions
SP10841*	1 1/2" FIP	Square	8 1/2"	1	13 lbs.	ABS body, adjustable cover collar, tamper-proof cover, basket, weir, Flo-Control slide plate, ABS face rim (white), gaskets, and screws.
SP10841R*	2" FIP	Round	8 1/2"	1	13 lbs.	
SP10841OM**	1 1/2" FIP	Square	8 1/2"	1	13 lbs.	
SP10841OMR**	1 1/2" FIP	Round	8 1/2"	1	13 lbs.	
SP1084**	2" FIP	Square	8 1/2"	1	13 lbs.	
SP1084R**	2" FIP	Round	8 1/2"	1	13 lbs.	

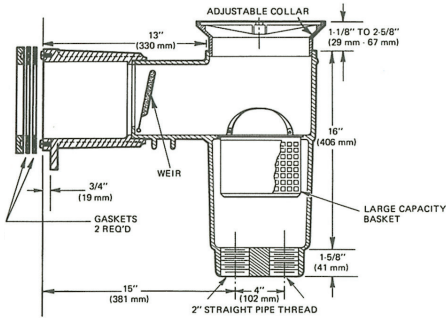
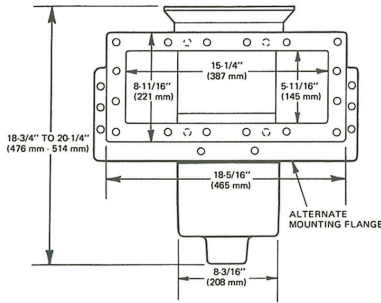
\*Skimmer includes standard and extra long 1 1/4" screws.  
 \*\*Available in Dark Gray – add suffix DGR for Dark Gray.  
 "R" designation indicates round collar and cover assembly  
 OM designation indicates thru-wall, outside mount for metal wall installations.



Measurements are for reference only.



SP10852



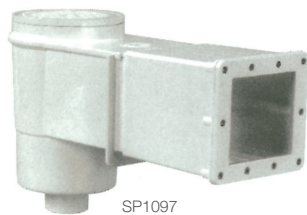
Measurements are for reference only.

## SP 1080 Auto-Skim™ Wide Track Series

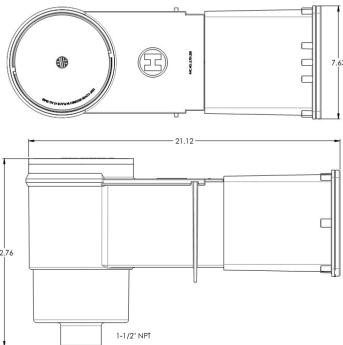
Manufactured to Hayward's uncompromising standards, these tough, large capacity skimmers install easily and perform flawlessly in your in-ground vinyl and fiberglass jobs. Molded of 3/16" ABS, they're unaffected by even the most extreme variations in climate. The Wide Track Series includes a broad, 15 1/2" skimmer face opening that efficiently swallows debris, a square cover, and a choice of throat lengths from 9 1/4" to 12 1/4". Auto-Skim Wide Track Series Skimmers are available with Float Valve and Equalizer Kit to meet specific NSF commercial requirements.

Model Number	Pipe Size	Cover Style	Throat Length	Ctn. Qty.	Ctn. Weight	Product Descriptions
SP10851OM	1 1/2" FIP	Square	12 1/4"	1	17 lbs.	ABS Body, adjustable cover collar, tamper-proof cover, basket, weir, Flo-Control plate. 12 1/4" long throat and 15 1/2" wide skimmer opening. Face rim, gaskets and screws.
SP10852*	1 1/2" FIP	Square	9 1/4"	1	16 lbs.	Same as SP10851, but with 9 1/4" (235mm) long throat and mounting flange for up to 1" thick walls.
SP10852OM**	1 1/2" FIP	Square	9 1/4"	1	16 lbs.	Same as SP10852, but packaged complete with SP1082FV Float Valve and SP1087 Equalizer Valve (NSF Listed)

\*Skimmer includes standard and extra long 1 1/4" screws.  
 \*\*Available in Dark Gray - add suffix DGR for Dark Gray.  
 OM designation indicates thru-wall, outside mount for metal wall installations.



SP1097



Measurements are for reference only.

## SP 1097 Auto-Skim™ PT & Economy Series

Model Number	Pipe Size	Cover Style	Throat Length	Ctn. Qty.	Ctn. Weight	Product Descriptions
SP1097	1 1/2" FIP	Round	12 1/2"	1	9 lbs.	ABS Body, adjustable cover collar, cover, basket, weir, 12 1/2" throat. Face rim (white), gaskets and screws.

Note: SP1098 can be replaced by SP1097 - the only difference is skimmer throat length.

To find out more information about In-ground Vinyl Skimmers or other Hayward products, go to [hayward.com](http://hayward.com) or call 1-888-HAYWARD.



**HAYWARD**®

620 Division Street | Elizabeth, NJ 07201

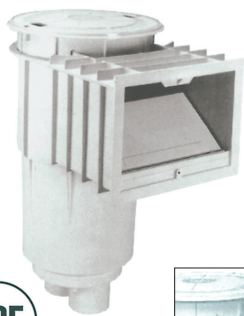


# In-Ground Skimmers

FOR CONCRETE POOLS

Hayward in-ground pool skimmers are the preferred choice of professional pool builders. Engineered for residential and commercial applications, these large capacity skimmers are manufactured to Hayward's rigorous quality standards. Their durable, unibody construction is molded of rugged ABS, and they've been designed without submerged joints. Hayward skimmers come with multiple plumbing connections for easier installations.

All Hayward skimmers are non-corrosive, non-conductive and virtually indestructible, no matter what Mother Nature dishes out.



SP10712



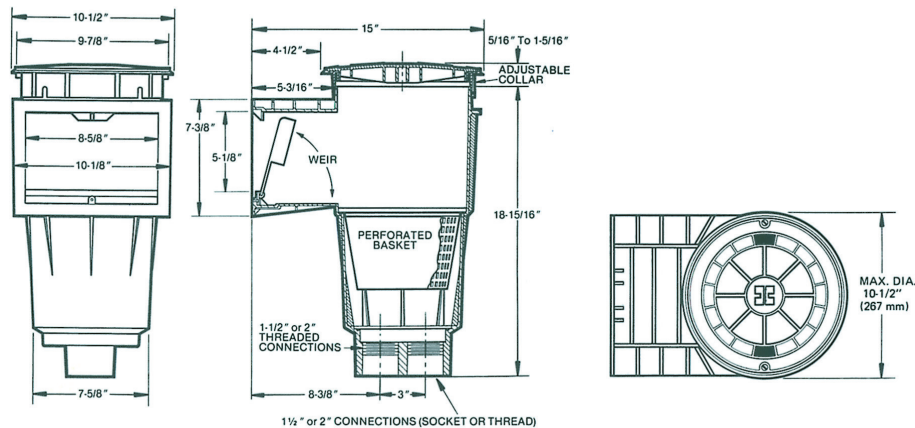
Overflow Port

## Skim-Master™ Series

Skim Master is a non-corrosive, large capacity automatic surface skimmer featuring a round, tamper-proof access cover, self-adjusting 8" weir with stainless steel spring for added strength, dual outlets, and threaded internal connections for pressure testing. The optional float/bypass valve provides a main drain-thru-skimmer system and an automatic safety bypass for low water conditions. No glue is used in manufacturing, promoting maximum strength and longevity. SP1070 Series provide a knockout overflow port that guards against overflow or pool water refill. All Skim-Master Series Skimmers are available with Float Valve and Equalizer Kit to meet specific NSF commercial requirements.

Model Number	Pipe Size	Cover Style	Throat Length	Ctn. Qty.	Ctn. Weight	Product Descriptions
SP1070	1 1/2" FIP	Round	4 1/2"	1	8 lbs.	ABS Body adjustable cover (deck) collar. Round tamper-proof cover, basket, weir, overflow port, Flo-Control plate. Dual outlets, have threaded internal cZons for pressure testing.
SP1070S	1 1/2" SKT	Round	4 1/2"	1	8 lbs.	
SP10712	2" FIP	Round	4 1/2"	1	8 lbs.	Same as SP1070 plus weir incorporated with Stainless Steel Spring.
SP10712S*,**	2" SKT	Round	4 1/2"	1	8 lbs.	

\*Available in Gray, Dark Gray and Black. Add suffix GR for Gray, DGR for Dark Gray and BLK for Black.  
 \*\*Available with tan collar and cover. Add suffix 10 to model number.  
 For skimmer packaged with float valve, add suffix FVA to model number.

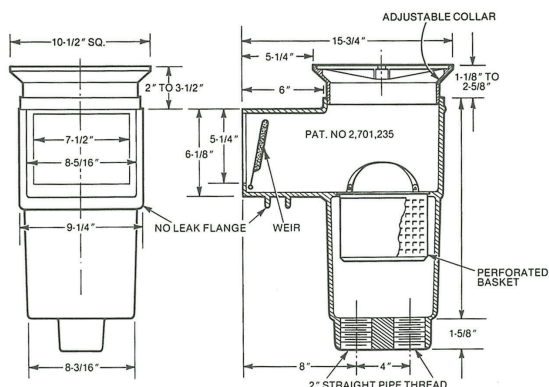


Measurements are for reference only.



## SP 1080 Auto-Skim™ Series

Auto-Skim features include an automatic by-pass for low water conditions, adjustable cover collar, snap-in weir that adjusts automatically to water level fluctuations up to 4 1/2", a rigid, 163 cubic inch basket, integral Flo-Control slide plate and a choice of threads for piping versatility. Molded of 3/16" ABS, they are ideal for pools located in colder climates. All SP1080 Series Skimmers are available with Float Valve and Equalizer Kit to meet specific NSF commercial requirements.



Measurements are for reference only.

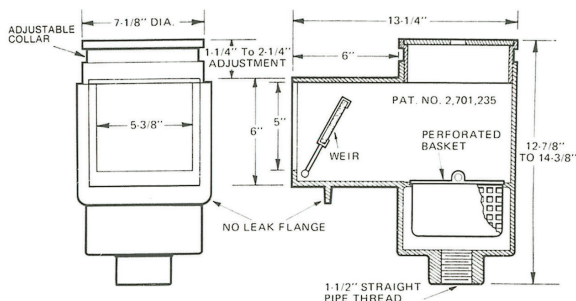
Model Number	Pipe Size	Cover Style	Throat Length	Ctn. Qty.	Ctn. Weight	Product Descriptions
SP10821	1 1/2" FIP	Square	5 1/4"	1	10 lbs.	ABS Body, adjustable cover collar, Tamper-proof cover, basket, weir, Flo-Control slide plate.
SP1082*	2" FIP	Square	5 1/4"	1	10 lbs.	
SP10821R	1 1/2" FIP	Round	5 1/4"	1	10 lbs.	Same as SP10821, but with 9 1/2" diameter ROUND cover.
SP1082RC*	2" FIP	Round	5 1/4"	1	10 lbs.	

\*Available in Dark Gray. Add Suffix DGR to model number for Dark Gray.



## SP 1096 Auto-Skim™ PT & Economy Series

The PT Skimmer features a tamper-proof cover with a stackable deck collar that allows 2" vertical height extension, a snap-in, self-adjusting weir which accommodates fluctuations in water level, integral flow control slide plate, and a rigid basket with load extender ribs. Dual ports for pump and main drain connection are compatible with both 1" and 2" piping, which can be used with the same installation selections as standard Auto-Skim.



Measurements are for reference only.

Model Number	Pipe Size	Cover Style	Throat	Ctn. Qty.	Ctn. Weight	Product Descriptions
SP1096	1 1/2" FIP	Round	6"	1	6 lbs.	ABS Body, adjustable cover collar, cover, basket, weir

To find out more information about In-ground Gunite Skimmers or other Hayward products, go to [hayward.com](http://hayward.com) or call 1-888-HAYWARD.

### GENERAL CERTIFICATE OF CONFORMITY

Contains: WG1048E2, WG1048E2BLK, WG1048E2GR, or WG1048E2DGR  
 Description: 8" Round Suction Outlet Cover

Ratings: Open Area: 8.1 sq-in

Certified to Comply with Section 1404 of the Virginia Graeme Baker Act (VGB) Pool & Spa Safety Act codified at 16 CFR part 1450, when installed on the listed products below. Certification by reports dated July 2019 and/or July 2020 and March-2009.

Manufactured: After Oct 1, 2020, by a Division of Hayward Industries, Inc. at K4-A, 214028 Block K4- A, Export Processing Zone Wuxi New District Jiangsu Province PRC 214028, China; or at One Hayward Industrial Drive, Clemmons, NC 27012.

Certified by Hayward Industries Inc. 400 Connell Drive, Suite 6100, Berkeley Heights, NJ 07922, Phone 908-355-7995

Contact at [www.hayward-pool.com](http://www.hayward-pool.com)

Record Custodian is Customer Service at [www.hayward-pool.com](http://www.hayward-pool.com).

Email: <https://www.hayward-pool.com/shop/en/pools/contactForm>

Hayward Pool Products P.O. Box 5100 Clemmons, NC 27012-5100, Phone: 908-355-7995

To our customers, the Serial Number is a 17 digit number, preceded by letters "SN"

The Serial# Code: 21121005456789001

- First 2 digits are "21", conforming to UCC-128 symbology, signifying a serial #
- The 3rd – 4th digits are the manufacturing "plant" code (12 for Clemmons, 21 for Wuxi, China)
- The 5th – 8th are "year & month" of the date of manufacture and assembly
- The 9th – 17th are "unique serialized number" for each product

Tested to: ANSI/APSP 16 -2017 per Section 1404 of the Virginia Graeme Baker Act (VGB) Pool & Spa Safety Act. Tested by NSF International, 789 Dixboro Road, Ann Arbor, MI 48113,

Phone 734-769-8010 in 2018. Certificate at: <http://info.nsf.org/Certified/Pools/Listings.asp?Company=21600>

Date of Installation: \_\_\_\_\_

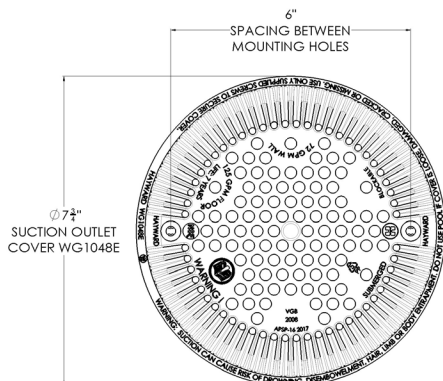
Suction outlet components have a finite life, the cover/grate as well as the hardware shall be inspected frequently and replaced at least every **7 years** from the date of installation, or if found to be damaged, broken, cracked, missing, or not securely attached.

If the cover/grate cannot be securely attached into the sump, a replacement insert kit WG1048EKIT, with instructions, is available. If this kit fails to allow the cover to be securely attached, the sump shall be replaced.

Hayward Pool Products acknowledges that it is a federal crime to knowingly and willingly make materially false, fictitious, or fraudulent statements, representations, or omissions on this certification.

The Cover and Sump combination are rated at the following Maximum Allowable Flow Rates

2" Side Port Floor-Mounted	116 GPM
2" Bottom Port Floor-Mounted	123 GPM
2" Side Port Wall-Mounted	66 GPM
2" Bottom Port Wall-Mounted	59 GPM
1 1/2" Side Port Floor-Mounted	107 GPM
1 1/2" Side Port Wall-Mounted	72 GPM
1 1/2" Bottom Port Floor-Mounted	122 GPM
1 1/2" Bottom Port Wall-Mounted	64 GPM



#### USED ON THE FOLLOWING SERIES AND NO OTHER:

WG1030  
 WG1048  
 WG1049  
 WG1051  
 WG1052  
 WG1053  
 WG1054  
 WG1153  
 WG1154

**Serial Number Label**

#### ▲ Warning – Suction Entrapment Hazard.

Suction in suction outlets and/or suction outlet covers which are installed in a small area and/or below the surrounding surface can cause severe injury or death due to body entrapment hazard.

To reduce the risk of body entrapment, installation of the field fabricated sumps must be such that the top of the mounted cover is a minimum of 1 1/2" above the finished pool surface over an area larger than 40" on a diagonal.

### GENERAL CERTIFICATE OF CONFORMITY

Contains: WG1048E2, WG1048E2BLK, WG1048E2GR, or WG1048E2DGR  
 Description: 8" Round Suction Outlet Cover

Ratings: Open Area: 8.1 sq-in

Certified to Comply with Section 1404 of the Virginia Graeme Baker Act (VGB) Pool & Spa Safety Act codified at 16 CFR part 1450, when installed on the listed products below. Certification by reports dated July 2019 and/or July 2020 and March-2009.

Manufactured: After Oct 1, 2020, by a Division of Hayward Industries, Inc. at K4-A, 214028 Block K4- A, Export Processing Zone Wuxi New District Jiangsu Province PRC 214028, China; or at One Hayward Industrial Drive, Clemmons, NC 27012.

Certified by Hayward Industries Inc. 400 Connell Drive, Suite 6100, Berkeley Heights, NJ 07922, Phone 908-355-7995

Contact at [www.hayward-pool.com](http://www.hayward-pool.com)

Record Custodian is Customer Service at [www.hayward-pool.com](http://www.hayward-pool.com).

Email: <https://www.hayward-pool.com/shop/en/pools/contactForm>

Hayward Pool Products P.O. Box 5100 Clemmons, NC 27012-5100, Phone: 908-355-7995

To our customers, the Serial Number is a 17 digit number, preceded by letters "SN"

The Serial# Code: 21121005456789001

- First 2 digits are "21", conforming to UCC-128 symbology, signifying a serial #
- The 3rd – 4th digits are the manufacturing "plant" code (12 for Clemmons, 21 for Wuxi, China)
- The 5th – 8th are "year & month" of the date of manufacture and assembly
- The 9th – 17th are "unique serialized number" for each product

Tested to: ANSI/APSP 16 -2017 per Section 1404 of the Virginia Graeme Baker Act (VGB) Pool & Spa Safety Act. Tested by NSF International, 789 Dixboro Road, Ann Arbor, MI 48113,

Phone 734-769-8010 in 2018. Certificate at: <http://info.nsf.org/Certified/Pools/Listings.asp?Company=21600>

Date of Installation: \_\_\_\_\_

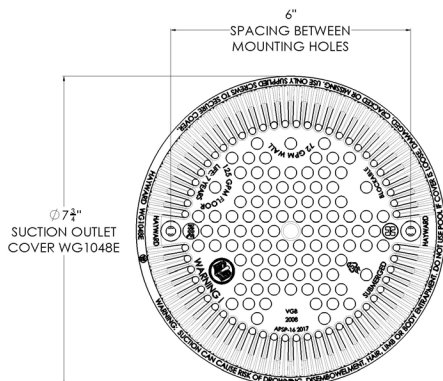
Suction outlet components have a finite life, the cover/grate as well as the hardware shall be inspected frequently and replaced at least every **7 years** from the date of installation, or if found to be damaged, broken, cracked, missing, or not securely attached.

If the cover/grate cannot be securely attached into the sump, a replacement insert kit WG1048EKIT, with instructions, is available. If this kit fails to allow the cover to be securely attached, the sump shall be replaced.

Hayward Pool Products acknowledges that it is a federal crime to knowingly and willingly make materially false, fictitious, or fraudulent statements, representations, or omissions on this certification.

The Cover and Sump combination are rated at the following Maximum Allowable Flow Rates

2" Side Port Floor-Mounted	116 GPM
2" Bottom Port Floor-Mounted	123 GPM
2" Side Port Wall-Mounted	66 GPM
2" Bottom Port Wall-Mounted	59 GPM
1 1/2" Side Port Floor-Mounted	107 GPM
1 1/2" Side Port Wall-Mounted	72 GPM
1 1/2" Bottom Port Floor-Mounted	122 GPM
1 1/2" Bottom Port Wall-Mounted	64 GPM



#### USED ON THE FOLLOWING SERIES AND NO OTHER:

WG1030  
 WG1048  
 WG1049  
 WG1051  
 WG1052  
 WG1053  
 WG1054  
 WG1153  
 WG1154

**Serial Number Label**

#### ▲ Warning – Suction Entrapment Hazard.

Suction in suction outlets and/or suction outlet covers which are installed in a small area and/or below the surrounding surface can cause severe injury or death due to body entrapment hazard.

To reduce the risk of body entrapment, installation of the field fabricated sumps must be such that the top of the mounted cover is a minimum of 1 1/2" above the finished pool surface over an area larger than 40" on a diagonal.