

DAVEY



BIT14-30



WHY CHOOSE THE DAVEY BIT Home Pressure System?

WATER PRESSURE SYSTEM

The Davey BIT booster pressure system consists of a robust centrifugal pump fitted with the intelligent Davey Torrium@2 water pressure controller to deliver boosted water pressure to your home or other application. Consumers can enjoy strong and seemingly constant water pressure due to Torrium@2's constant flow operation.

Due to large water pathways, Torrium@2 operates with a lower head loss than comparable water pressure controllers to provide superior hydraulic performance with less wasted energy.

TORRIUM@2 CONTROLLER Pressure Boosting

Torrium@2 boosts water where the supply is not pressurized to give you strong, even water pressure for your comfort and convenience. Torrium@2 can also pressure boost water from rainwater tanks.

Constant Flow and Even Water Pressure

To prevent annoying fluctuations in water temperature during showers, Torrium@2 uses its intelligence to provide households with constant flow to provide even water pressure. It does this with its innovative pressure and flow sensors to start the pump on a pressure drop and to stop it on low flow (~0.26 gpm). This avoids pump cycling when there is continuing household demand for water.

Quick Cut-in for Even Pressure

To give you strong pressure right from the start, Torrium@2 is designed to cut in quickly when it senses demand for water. It cuts in when the pressure has dropped to 80% of the previous top (shut-off) pressure. Torrium@2 automatically sets this cut-in pressure each time the pump stops. In doing so, Torrium@2 automatically adapts to variations in pump performance or site conditions.

Economical, Quiet, Easy to Install

**Applications where incoming water supply is not pressurized.
Great for cisterns!**



PHONE: (800) 515-2021
orders@efkaysales.com
www.efkaysales.com

OPERATING LIMITS	
Capacities to	38 gpm
Maximum total head to	38 psi
Cut-in pressure – Adapts to 80% of last shut-off head pressure	
Cut-out flow rate	0.26 GPM
Maximum liquid temperate (Torrium®2)	158° F
Maximum ambient temperature (Torrium®2)	120° F
Inlet size	1 1/4" F
Outlet size	1" M
Maximum pump casing pressure	116 psi
Maximum system pressure	100 psi

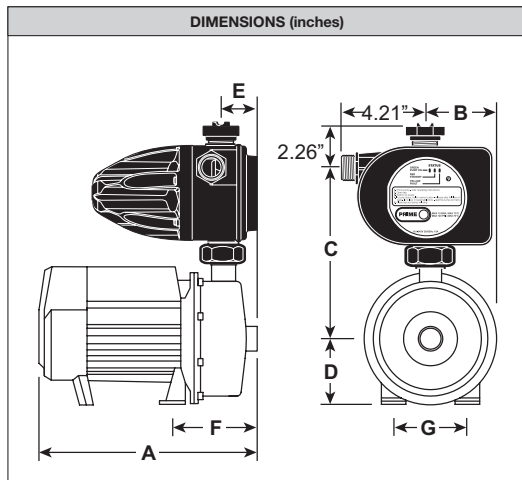
MATERIALS OF CONSTRUCTION		
Part		Material
Impellers		304 stainless steel
Lock nut		304 stainless steel
Pump casing		304 stainless steel
Pump backplate		304 stainless steel
Pump shaft		316 stainless steel
Neckrings		Teflon
Seal ring (stationary)		Ceramic
Seal ring (rotating)		Carbon (synthetic)
Seal spring		304 stainless steel
Orings		Nitrile rubber
Stage body		304 stainless steel
Torrium®2 check valve	Stem assembly Spring Seal	Nylon 304 stainless steel Nitrile
Torrium®2 body		Glass filled nylon
Priming plug		304 stainless steel
Motor shell		Marine grade aluminum
Lantern / DE endshield		Marine grade aluminum
Shell & lantern bracket finish		Baked polyester

INSTALLATION AND PRIMING

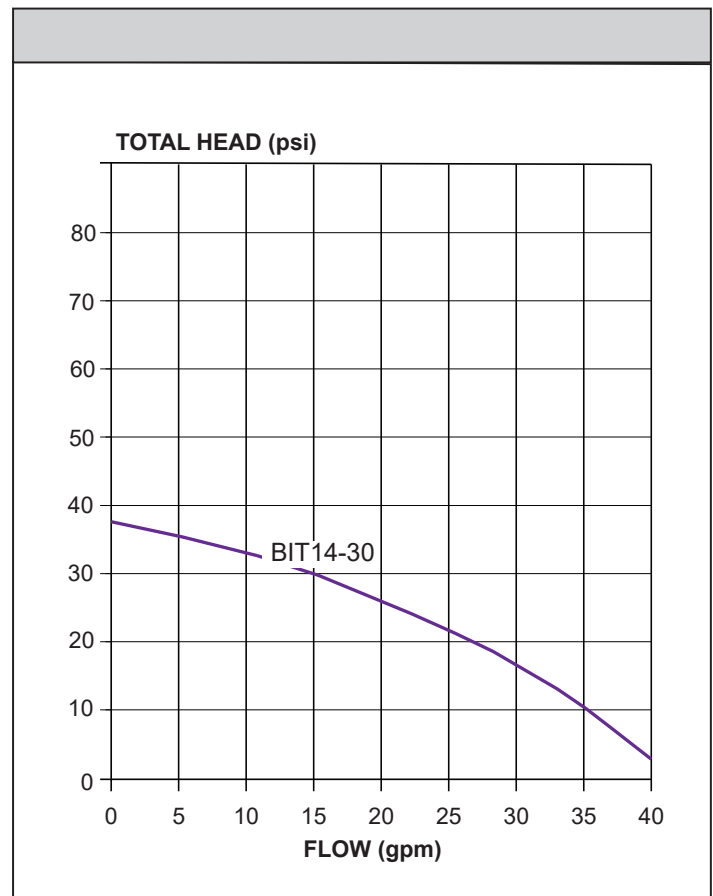
- On installations with suction lifts a good quality foot valve should be installed
- The system is primed by filling the pump and suction line with water through the priming port, and replacing priming plug prior to switching on
- The PRIME button on the Torrium®2 unit should be held in while the pump is establishing prime



Model	A	B	C	D	E	F	Inlet	Outlet	Net Weight (lbs)	G Hole Diameter @ Centres	
BIT14-30	13.80	4.33	12.20	4.33	2.40	5.70	1 1/4" F	1" M	26.50	0.35	4.72



ELECTRICAL DATA	
Model	BIT14-30
Supply voltage/phase	120V/1
Supply frequency	60hz
Input power (P1) (kW)	0.92
Output power (P2) (kW)	0.73
Full load current (A)	7.80
Locked rotor current (A)	38.00
Starting	PSC
Insulation class	Class F
Horsepower	1hp



Applications where incoming water supply is not pressurized - great for cisterns.