

DAVEY



BIT30-30



Economical, Quiet, Easy to Install

Applications where incoming water supply is not pressurized.

Great for cisterns!

WHY CHOOSE THE DAVEY BIT Home Pressure System?

WATER PRESSURE SYSTEM

The Davey BIT booster pressure system consists of a robust centrifugal pump fitted with the intelligent Davey Torrium@2 water pressure controller to deliver boosted water pressure to your home or other application. Consumers can enjoy strong and seemingly constant water pressure due to Torrium@2's constant flow operation.

Due to large water pathways, Torrium@2 operates with a lower head loss than comparable water pressure controllers to provide superior hydraulic performance with less wasted energy.

TORRIUM@2 CONTROLLER

Pressure Boosting

Torrium@2 boosts water where the supply is not pressurized to give you strong, even water pressure for your comfort and convenience. Torrium@2 can also pressure boost water from rainwater tanks.

Constant Flow and Even Water Pressure

To prevent annoying fluctuations in water temperature during showers, Torrium@2 uses its intelligence to provide households with constant flow to provide even water pressure. It does this with its innovative pressure and flow sensors to start the pump on a pressure drop and to stop it on low flow (~0.26 gpm). This avoids pump cycling when there is continuing household demand for water.

Quick Cut-in for Even Pressure

To give you strong pressure right from the start, Torrium@2 is designed to cut in quickly when it senses demand for water. It cuts in when the pressure has dropped to 80% of the previous top (shut-off) pressure. Torrium@2 automatically sets this cut-in pressure each time the pump stops. In doing so, Torrium@2 automatically adapts to variations in pump performance or site conditions.



PHONE: (800) 515-2021
orders@efkaysales.com
www.efkaysales.com

BIT with Torrium®2 Home Pressure System

DAVEY

| OPERATING LIMITS | |
|--|----------|
| Capacities to | 45 gpm |
| Maximum total head to | 50 psi |
| Cut-in pressure – Adapts to 80% of last shut-off head pressure | |
| Cut-out flow rate | 0.26 GPM |
| Maximum liquid temperate (Torrium®2) | 158° F |
| Maximum ambient temperature (Torrium®2) | 120° F |
| Inlet size | 1¼" F |
| Outlet size | 1" M |
| Maximum pump casing pressure | 116 psi |
| Maximum system pressure | 100 psi |

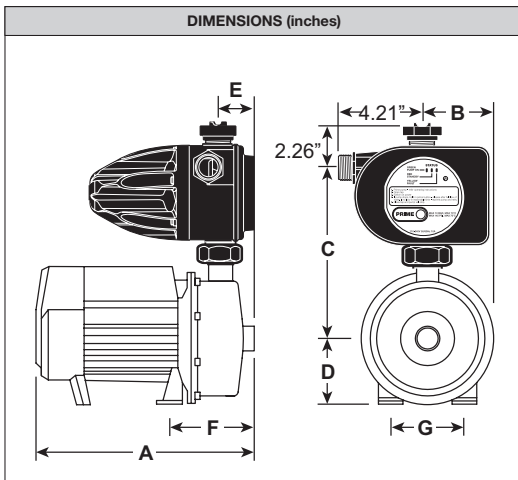
| MATERIALS OF CONSTRUCTION | | |
|--------------------------------|-----------------------|---------------------|
| Part | Material | |
| Impellers | 304 stainless steel | |
| Lock nut | 304 stainless steel | |
| Pump casing | 304 stainless steel | |
| Pump backplate | 304 stainless steel | |
| Pump shaft | 316 stainless steel | |
| Neckrings | Teflon | |
| Seal ring (stationary) | Ceramic | |
| Seal ring (rotating) | Carbon (synthetic) | |
| Seal spring | 304 stainless steel | |
| Orings | Nitrile rubber | |
| Stage body | 304 stainless steel | |
| Torrium®2 check valve | Stem assembly | Nylon |
| | Spring | 304 stainless steel |
| | Seal | Nitrile |
| Torrium®2 body | Glass filled nylon | |
| Priming plug | 304 stainless steel | |
| Motor shell | Marine grade aluminum | |
| Lantern / DE endshield | Marine grade aluminum | |
| Shell & lantern bracket finish | Baked polyester | |

INSTALLATION AND PRIMING

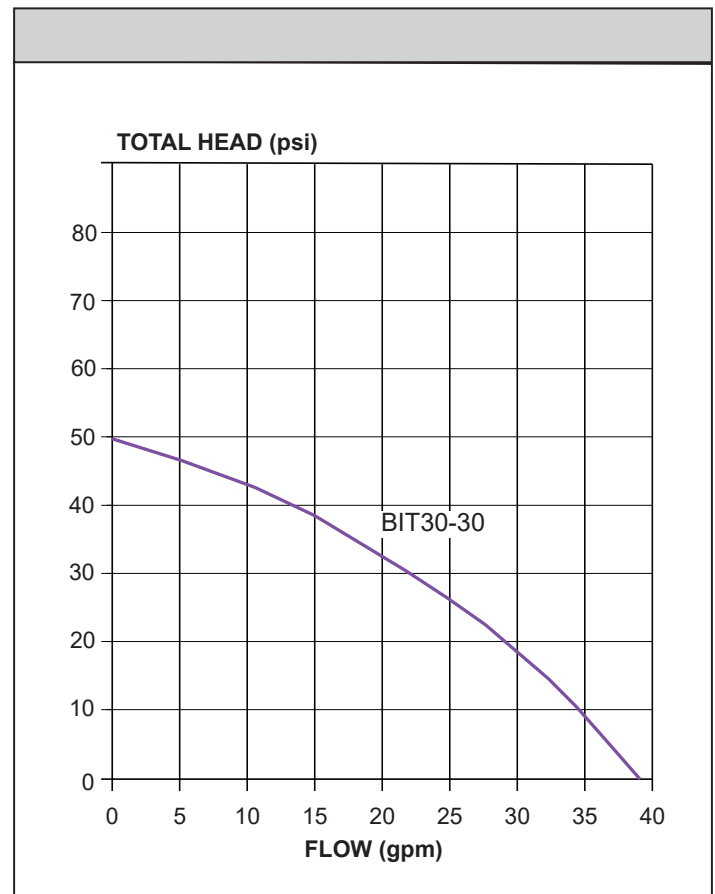
- On installations with suction lifts a good quality foot valve should be installed
- The system is primed by filling the pump and suction line with water through the priming port, and replacing priming plug prior to switching on
- The PRIME button on the Torrium®2 unit should be held in while the pump is establishing prime



| Model | A | B | C | D | E | F | Inlet | Outlet | Net Weight (lbs) | G | |
|----------|-------|------|------|------|------|------|-------|--------|------------------|-------------------------|------|
| | | | | | | | | | | Hole Diameter @ Centres | |
| BIT30-30 | 16.14 | 4.72 | 5.67 | 4.76 | 2.00 | 5.83 | 1¼" F | 1" M | 16.25 | 0.35 | 5.51 |



| ELECTRICAL DATA | |
|--------------------------|----------|
| Model | BIT30-30 |
| Supply voltage/phase | 220V/1 |
| Supply frequency | 60hz |
| Input power (P1) (kW) | 1.44 |
| Output power (P2) (kW) | 1.12 |
| Full load current (A) | 7.00 |
| Locked rotor current (A) | 23.71 |
| Starting | PSC |
| Insulation class | Class F |
| Horsepower | 1.5hp |



Applications where incoming water supply is not pressurized - great for cisterns.