

BT with Torrium®2 Home Pressure System

DAVEY

OPERATING LIMITS	
Capacities to	38 gpm
Maximum total head to	50 psi
Cut-in pressure – Adapts to 80% of last shut-off head pressure	
Cut-out flow rate	0.26 GPM
Maximum liquid temperate (Torrium®2)	158° F
Maximum ambient temperature (Torrium®2)	120° F
Maximum suction lift	25'
Inlet size	1¼" F
Outlet size	1" M
Maximum pump casing pressure	116 psi
Maximum system pressure	100 psi

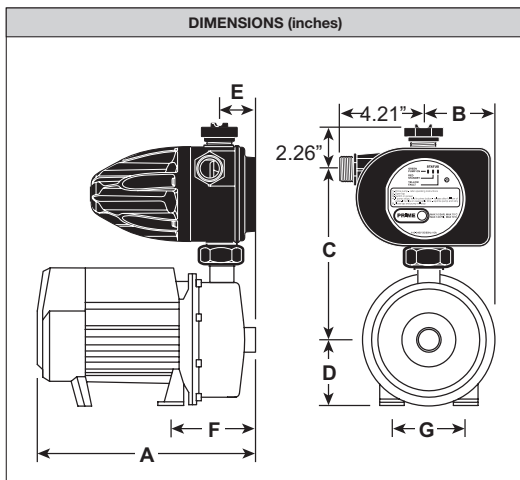
MATERIALS OF CONSTRUCTION		
Part	Material	
Impellers	304 stainless steel	
Lock nut	304 stainless steel	
Pump casing	304 stainless steel	
Pump backplate	304 stainless steel	
Pump shaft	316 stainless steel	
Neckrings	Teflon	
Seal ring (stationary)	Ceramic	
Seal ring (rotating)	Carbon (synthetic)	
Seal spring	304 stainless steel	
Orings	Nitrile rubber	
Stage body	304 stainless steel	
Torrium®2 check valve	Stem assembly	Nylon
	Spring	304 stainless steel
	Seal	Nitrile
Torrium®2 body	Glass filled nylon	
Priming plug	304 stainless steel	
Motor shell	Marine grade aluminum	
Lantern / DE endshield	Marine grade aluminum	
Shell & lantern bracket finish	Baked polyester	

INSTALLATION AND PRIMING

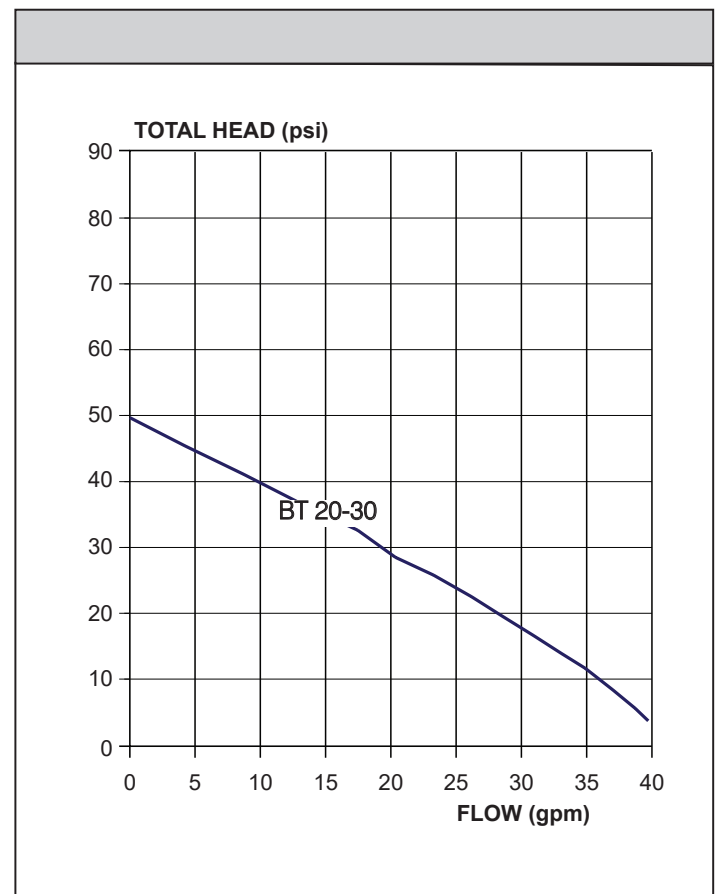
- On installations with suction lifts a good quality foot valve should be installed
- The system is primed by filling the pump and suction line with water through the priming port, and replacing priming plug prior to switching on
- The PRIME button on the Torrium®2 unit should be held in while the pump is establishing prime



Model	A	B	C	D	E	F	Inlet	Outlet	Net Weight (lbs)	G Hole Diameter @ Centres	
BT20-30	17.40	3.35	8.00	3.54	5.31	8.85	1¼" F	1" M	27.30	0.27	3.93



ELECTRICAL DATA	
Model	BT20-30
Supply voltage/phase	120V/1
Supply frequency	60hz
Input power (P1) (kW)	0.98
Output power (P2) (kW)	0.78
Full load current (A)	8.2
Locked rotor current (A)	38.00
Starting	PSC
Insulation class	Class F
Horsepower	1hp



Add incoming pressure to maximum pump boost for shut off pressure.

DAVEY



BT 20-30

WHY CHOOSE THE DAVEY BT Home Pressure System?

WATER PRESSURE SYSTEM

The Davey BT booster pressure system consists of a robust centrifugal pump fitted with the intelligent Davey Torrium@2 water pressure controller to deliver boosted water pressure to your home or other application. Consumers can enjoy strong and seemingly constant water pressure due to Torrium@2's constant flow operation.

Due to large water pathways, Torrium@2 operates with a lower head loss than comparable water pressure controllers to provide superior hydraulic performance with less wasted energy.

TORRIUM@2 CONTROLLER

Pressure Boosting

Torrium@2 boosts low or fluctuating mains water pressure to give you strong, even water pressure for your comfort and convenience. Torrium@2 can also pressure boost water from rainwater tanks.

Constant Flow and Even Water Pressure

To prevent annoying fluctuations in water temperature during showers, Torrium@2 uses its intelligence to provide households with constant flow to provide even water pressure. It does this with its innovative pressure and flow sensors to start the pump on a pressure drop and to stop it on low flow (~0.26 gpm). This avoids pump cycling when there is continuing household demand for water.

Quick Cut-in for Even Pressure

To give you strong pressure right from the start, Torrium@2 is designed to cut in quickly when it senses demand for water. It cuts in when the pressure has dropped to 80% of the previous top (shut-off) pressure. Torrium@2 automatically sets this cut-in pressure each time the pump stops. In doing so, Torrium@2 automatically adapts to variations in pump performance or site conditions.



Economical, Quiet, Easy to Install

Efkay Sales

PH: 800-515-2021 • orders@efkaysales.com
www.EfkaySales.com