

# Constant Pressure System

## MATERIALS OF CONSTRUCTION

PART	MATERIAL
Casing	304 stainless steel
Impellers	304 stainless steel
Stages (casing)	304 stainless steel
Pump shaft	316 stainless steel
Stage centring device	304 stainless steel
Mechanical seal	Carbon/ceramic
O-rings	EPDM
Plugs	316 stainless steel
Motor shell and lantern bracket	Aluminium with baked polyester powder coat finish
Motor feet	Xenoy
Fan cowl/rear foot	Polypropylene
Adaptor VSD	Polypropylene
5-way tee piece	304 stainless steel
Pump coupling to 5-way tee piece	Brass

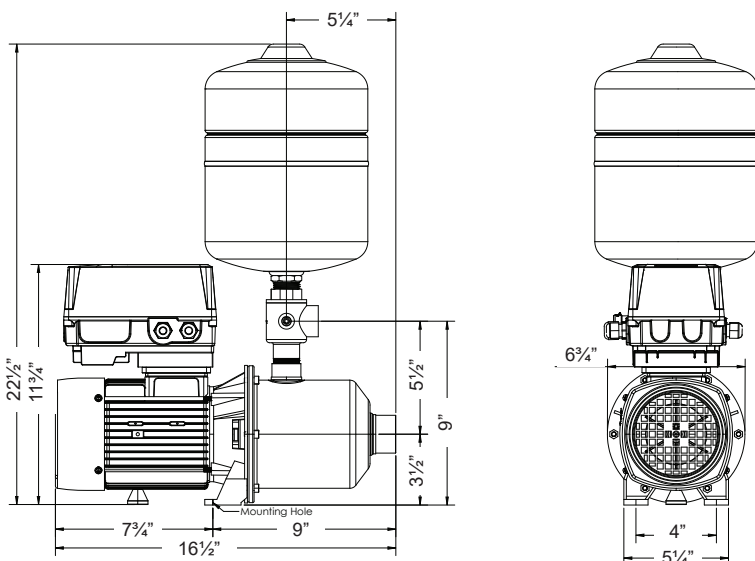
## ELECTRICAL DATA

Models	DD15-35NPT
Voltage	110 - 120V
Max motor speed	2,900rpm
Frequency (incoming power)	50 - 60Hz
Input power P <sub>1</sub>	0.8kW
Output power P <sub>2</sub>	0.55kW
Running current	9.4A
Insulation class	F
IP rating	55

## HYDRAULIC PERFORMANCE

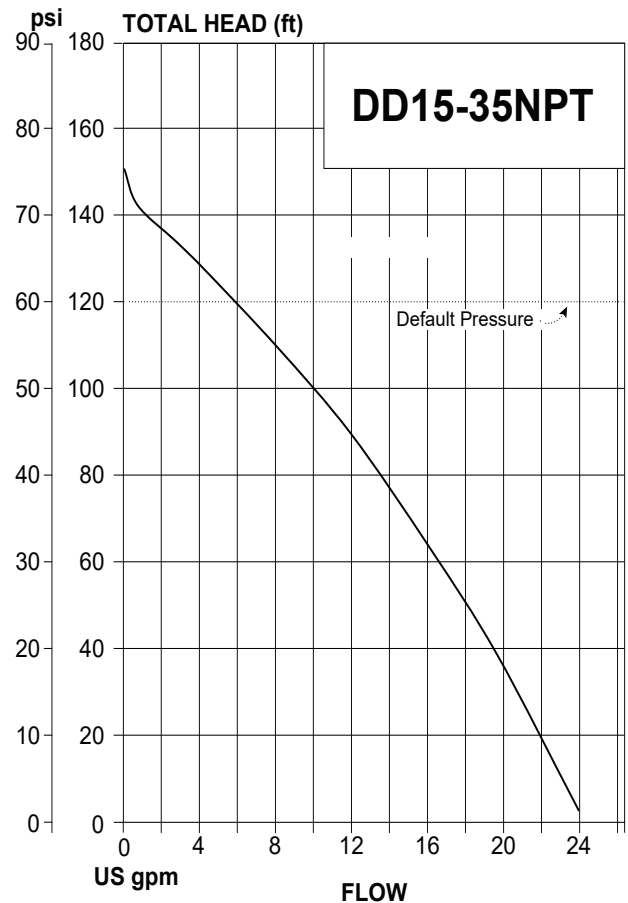
Models	DD15-35NPT
Inlet	1" NPT F
Discharge outlet (BSP M)	1" NPT F
Default nominal operating pressure	60psi
Number of stages (impellers)	5
Maximum pump pressure (head)	65 Psi
Pressure tank outlet	1" NPT M
Tank pre-charge (Default)	42psi

## DIMENSIONS (inches)



## OPERATING LIMITS

Models	DD15-35NPT
Max. flow rate @ 300kPa (43psi)	12 gpm
Max. flow rate @ 400kPa (58psi)	5 gpm
Max. flow rate @ 500kPa (73psi)	n/a
Max. casing pressure	116 psi
Max. set pressure	87 psi
Min. cut-in pressure (gauge)	1 1/2 psi
Default cut-in pressure	7psi less than set pressure
Max. cut-in pressure	3psi less than set pressure
Operating water temp range	32° - 176°F
Operating ambient/air temp range	32° - 122°F
Maximum humidity	95%
Nature of fluids	Clean, clear, non-corrosive, non-flammable liquids with no fibers and little sand/silica or abrasives (maximum concentration 40g/m <sup>3</sup> )
Applicable approvals	UL 778; UL61800-5-1; CSA-C22.2 No. 108-14



# DAVEY



## DynaDrive™

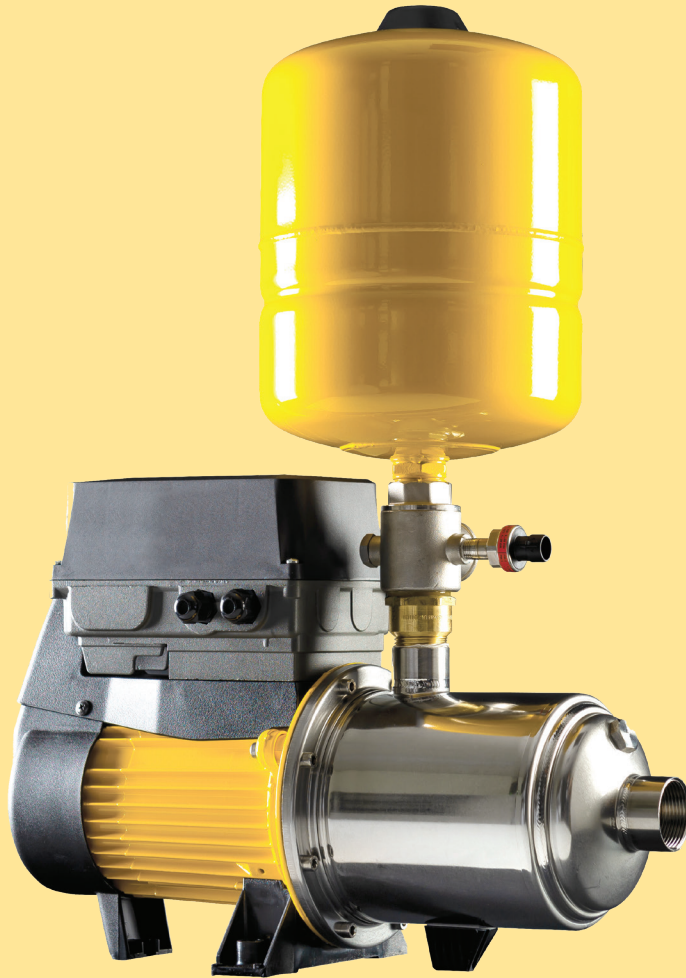
# DD15-35NPT

### NEW Davey DynaDrive

Variable speed intelligence that provides constant water pressure at the touch of a button. With its new user friendly controller, your water experience can now be customized to your preference at home.

The Davey DynaDrive controller allows you to set and forget your preferred water pressure settings. This means no-reprogramming even if the Davey DynaDrive loses power.

Simple control. Perfect pressure.



## Economical, Quiet, Easy to Install

110-120v

### Efkay Sales

PH: 800-515-2021 • [orders@efkaysales.com](mailto:orders@efkaysales.com)  
[www.EfkaySales.com](http://www.EfkaySales.com)

### DAVEY DynaDrive™ Constant Pressure System

#### ENERGY EFFICIENT

DynaDrive only operates based on the demand reducing energy consumption.



#### SET & FORGET

Customize user preferred settings.



#### QUIET OPERATION

Lower operating noise due to the variable speed the motor operates at.



#### INDUSTRIAL QUALITY

Built on proven Davey HM pump quality.



#### Applications

- Household, domestic and light industrial water supply
- Farming and agricultural water systems
- Irrigation and turf watering systems
- Automatic general water transfer
- Mains water pressure boosting