

# Constant Pressure System

## MATERIALS OF CONSTRUCTION

| PART                             | MATERIAL  |
|----------------------------------|---|
| Casing                           | 304 stainless steel                               |
| Impellers                        | 304 stainless steel                               |
| Stages (casing)                  | 304 stainless steel                               |
| Pump shaft                       | 316 stainless steel                               |
| Stage centring device            | 304 stainless steel                               |
| Mechanical seal                  | Carbon/ceramic                                    |
| O-rings                          | EPDM  |
| Plugs                            | 316 stainless steel                               |
| Motor shell and lantern bracket  | Aluminium with baked polyester powder coat finish |
| Motor feet                       | Xenoy   |
| Fan cowl/rear foot               | Polypropylene                                     |
| Adaptor VSD                      | Polypropylene                                     |
| 5-way tee piece                  | 304 stainless steel                               |
| Pump coupling to 5-way tee piece | Brass   |

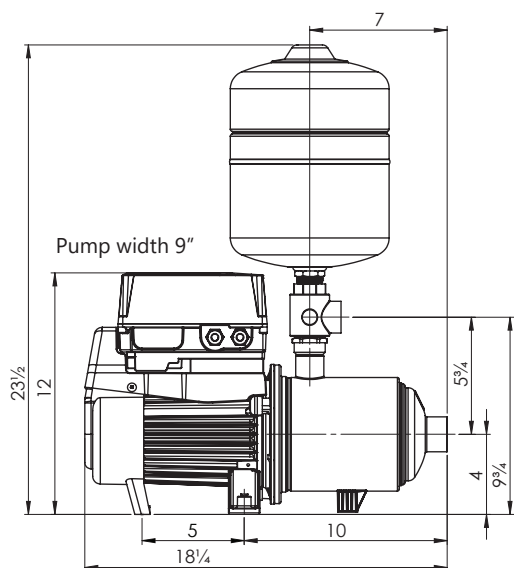
## ELECTRICAL DATA

| Models                      | DD60-10NPT   |
|-----------------------------|--------------|
| Voltage                     | 220 - 240V ~ |
| Max motor speed             | 2,900rpm     |
| Frequency (incoming power)  | 50 - 60Hz    |
| Input power P <sub>1</sub>  | 1.1kW        |
| Output power P <sub>2</sub> | 0.8kW        |
| Running current             | 7.4A         |
| Insulation class            | F            |
| IP rating                   | 55           |

## HYDRAULIC PERFORMANCE

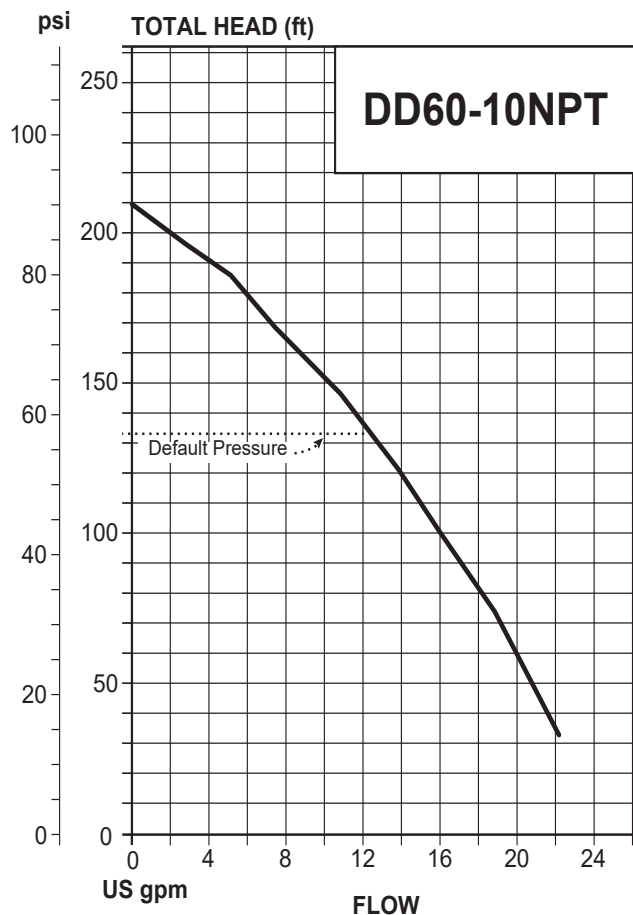
| Models                             | DD60-10NPT |
|------------------------------------|------------|
| Inlet                              | 1¼" NPT F  |
| Discharge outlet (BSP M)           | 1" NPT F   |
| Default nominal operating pressure | 60psi      |
| Number of stages (impellers)       | 6          |
| Maximum pump pressure (head)       | 98 Psi     |
| Pressure tank outlet               | 1" NPT M   |
| Tank pre-charge (Default)          | 41psi      |

## DIMENSIONS (inches)



## OPERATING LIMITS

| Models                           | DD60-10NPT  |
|----------------------------------|---|
| Max. flow rate @ 300kPa (43psi)  | 16 gpm  |
| Max. flow rate @ 400kPa (58psi)  | 13 gpm  |
| Max. flow rate @ 500kPa (73psi)  | 8 gpm   |
| Max. casing pressure             | 145 psi   |
| Max. set pressure                | 87 psi  |
| Min. cut-in pressure (gauge)     | 1½ psi  |
| Default cut-in pressure          | 7psi less than set pressure   |
| Max. cut-in pressure             | 3psi less than set pressure   |
| Operating water temp range       | 32° - 176°F   |
| Operating ambient/air temp range | 32° - 122°F   |
| Maximum humidity                 | 95%   |
| Nature of fluids                 | Clean, clear, non-corrosive, non-flammable liquids with no fibers and little sand/silica or abrasives (maximum concentration 40g/m <sup>3</sup> ) |
| Applicable approvals             | UL 778; UL61800-5-1; CSA-C22.2 No. 108-14   |

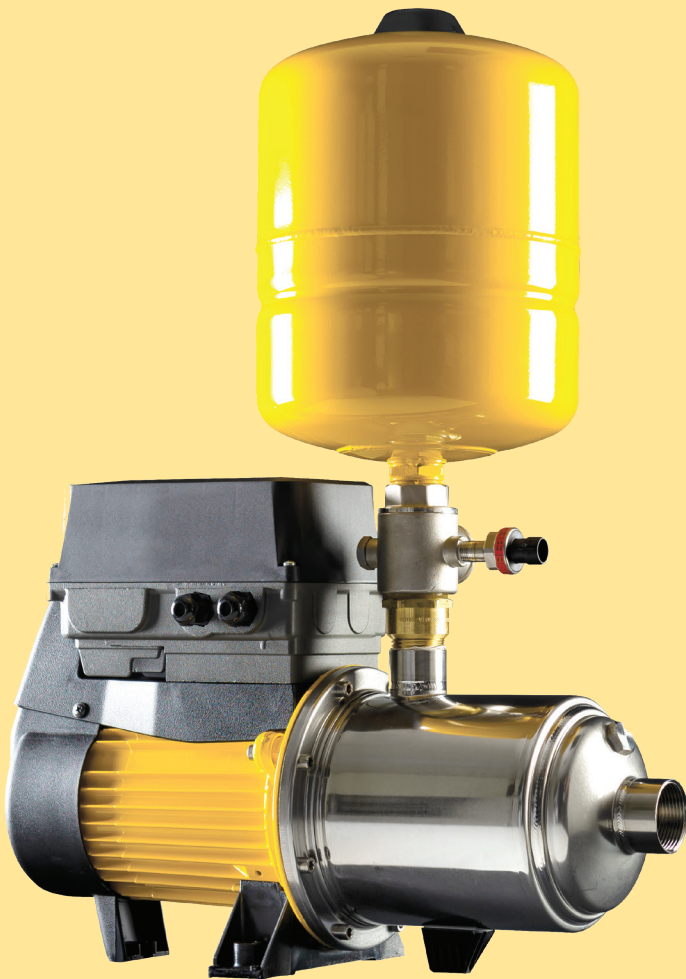


# DAVEY



## DynaDrive™

# DD60-10NPT



### NEW Davey DynaDrive

Variable speed intelligence that provides constant water pressure at the touch of a button. With its new user friendly controller, your water experience can now be customized to your preference at home.

The Davey DynaDrive controller allows you to set and forget your preferred water pressure settings. This means no-reprogramming even if the Davey DynaDrive loses power.

Simple control. Perfect pressure.

**DAVEY**

## DynaDrive™

Constant Pressure System

#### ENERGY EFFICIENT

DynaDrive only operates based on the demand reducing energy consumption.



#### SET & FORGET

Customize user preferred settings.



#### QUIET OPERATION

Lower operating noise due to the variable speed the motor operates at.



#### INDUSTRIAL QUALITY

Built on proven Davey HM pump quality.



## Economical, Quiet, Easy to Install

### Efkay Sales

PH: 800-515-2021 • [orders@efkaysales.com](mailto:orders@efkaysales.com)

[www.EfkaySales.com](http://www.EfkaySales.com)

#### Applications

Household, domestic and light industrial water supply  
Farming and agricultural water systems  
Irrigation and turf watering systems  
Automatic general water transfer  
Mains water pressure boosting