

8

7

6

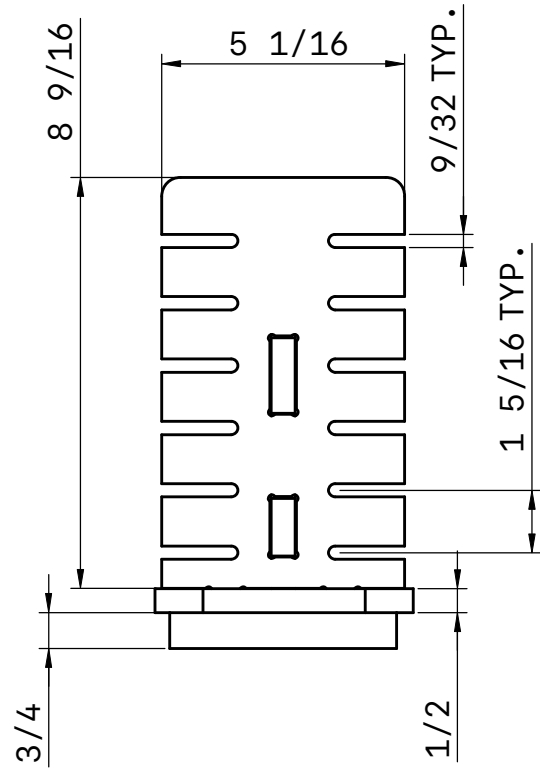
5

4

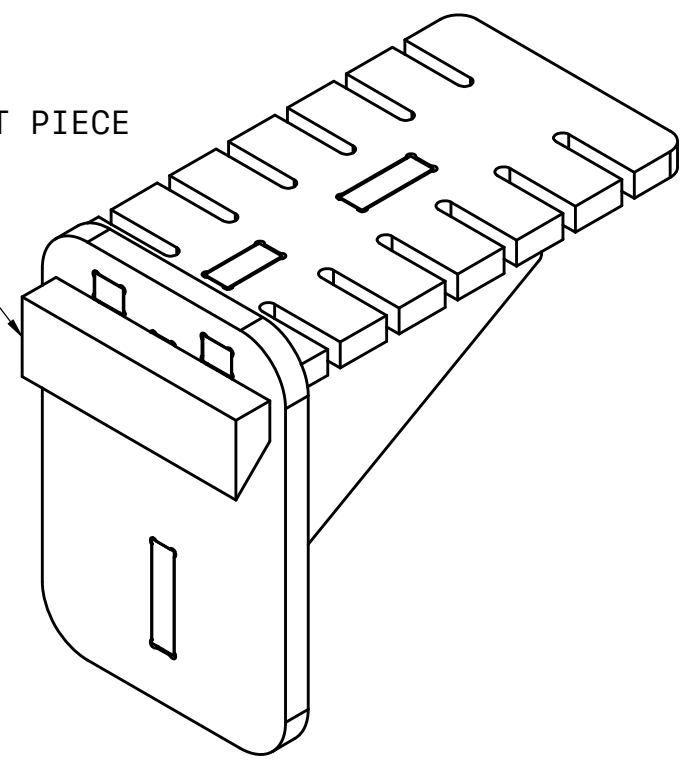
3

2

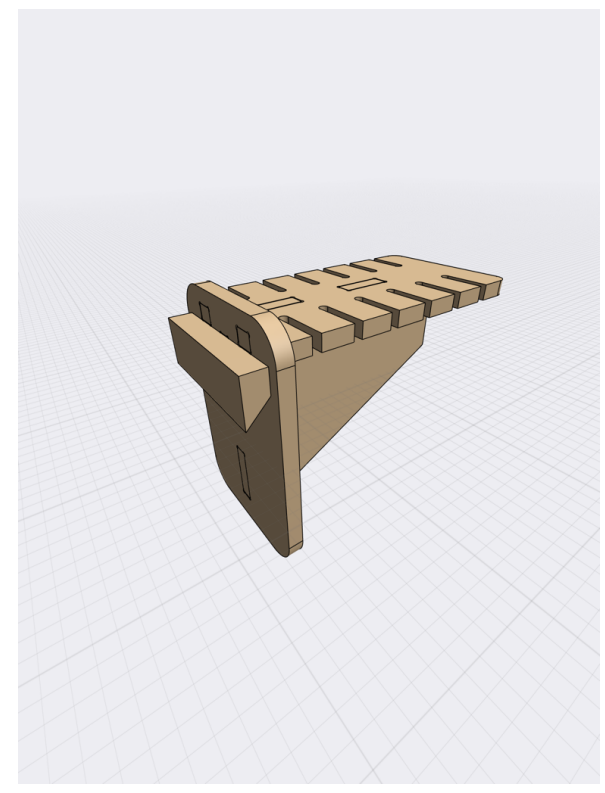
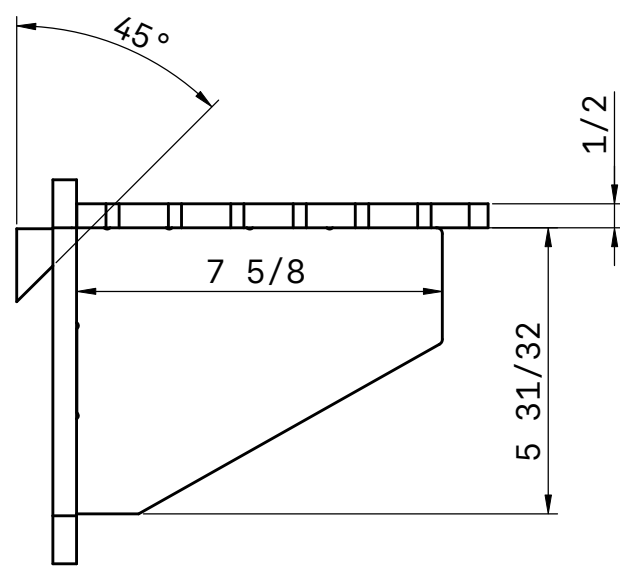
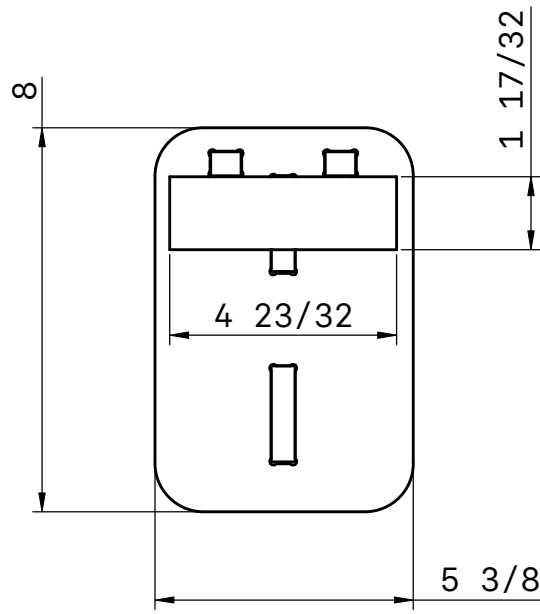
1



OPTIONAL FRENCH CLEAT PIECE



SCALE 1:3



TITLE
Clamp Holder

-All dxf files for each in one file.

REVISION	NAME	DATE
02	Upgrades	08/08/2023

UNITS in	SCALE 1:4
PROJ. ANG. 	SIZE B
LAST UPDATED 08/04/23	SHEET 1/1

8

7

6

5

4

3

2

1