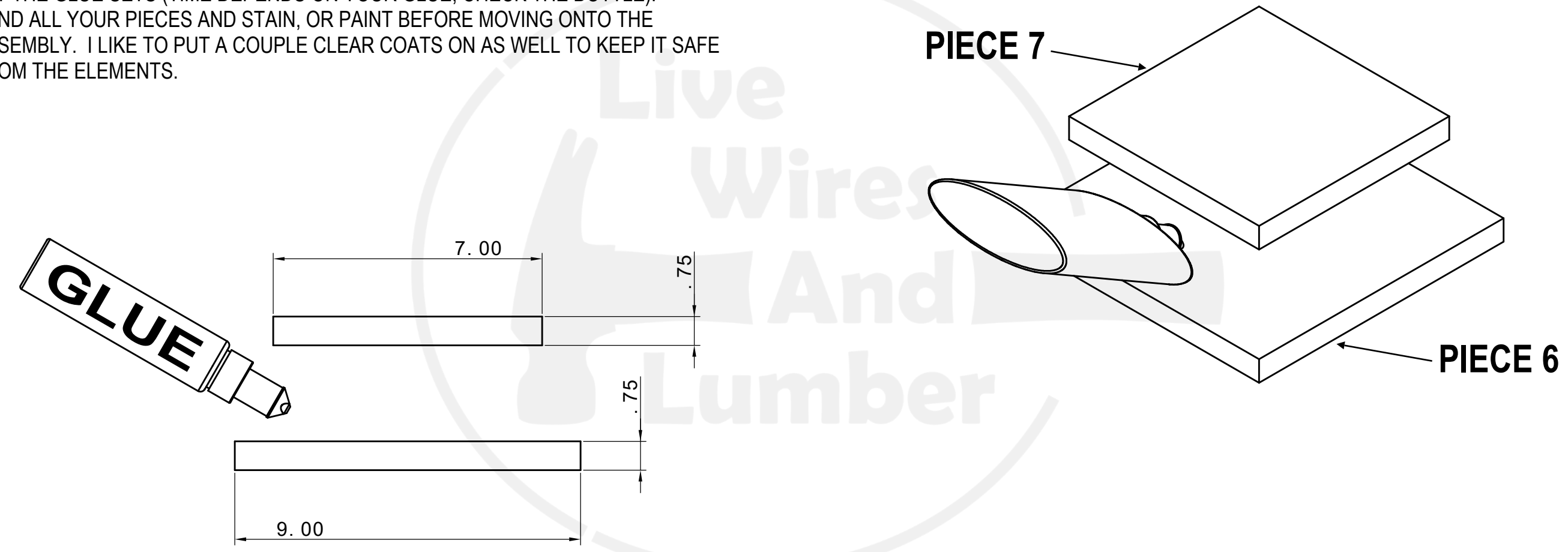


4 GLUE THE LID

- 1) GLUE AND CLAMP THE TWO LID PIECES TOGETHER (PIECE 6 & 7)
- 2) LET THE GLUE SETS (TIME DEPENDS ON YOUR GLUE, CHECK THE BOTTLE).
- 3) SAND ALL YOUR PIECES AND STAIN, OR PAINT BEFORE MOVING ONTO THE ASSEMBLY. I LIKE TO PUT A COUPLE CLEAR COATS ON AS WELL TO KEEP IT SAFE FROM THE ELEMENTS.



Halloween Lantern		
Last Update: Jan 01/22	Units: Inches	
Size: 11x17	Scale: 1:3	004