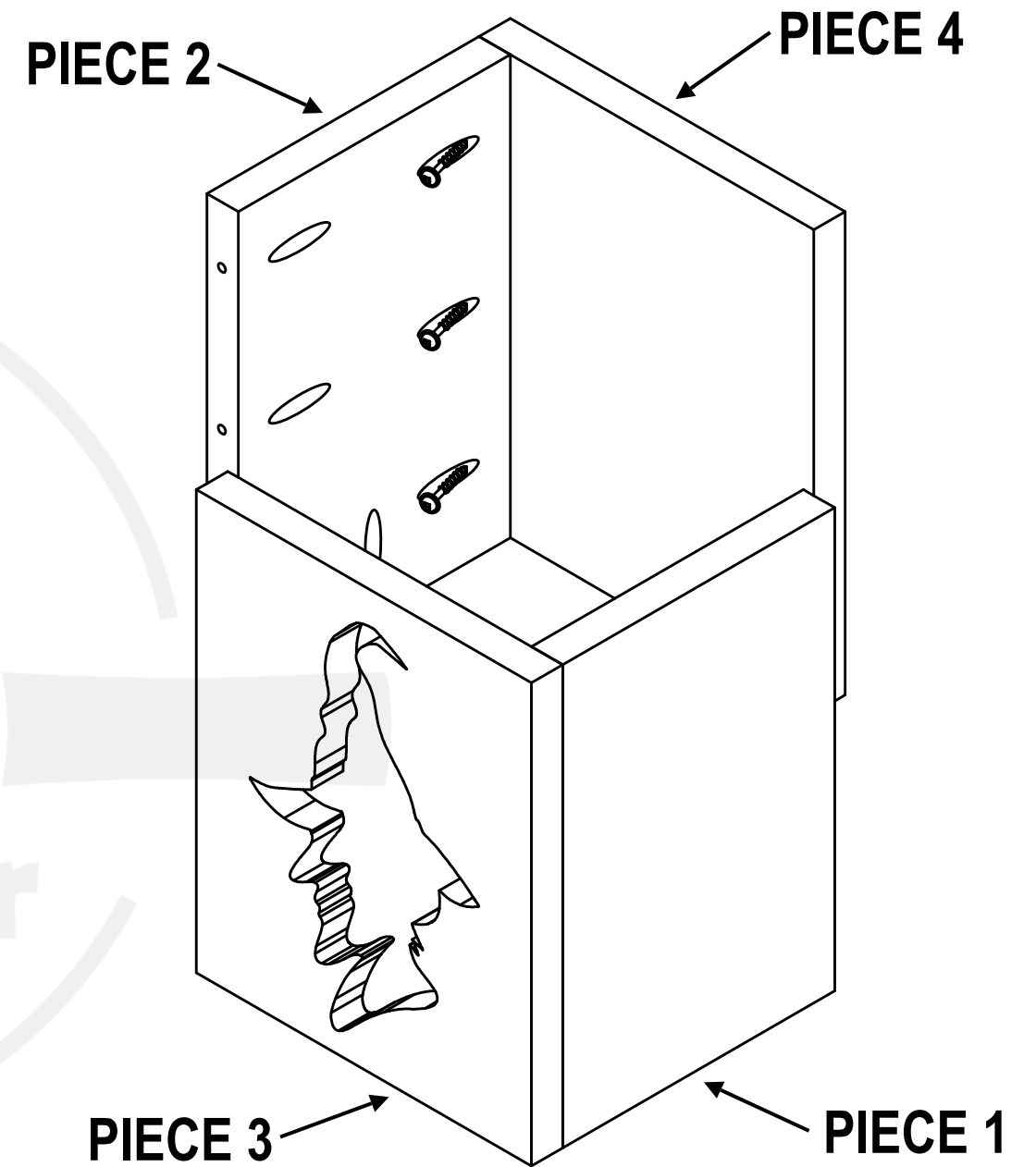
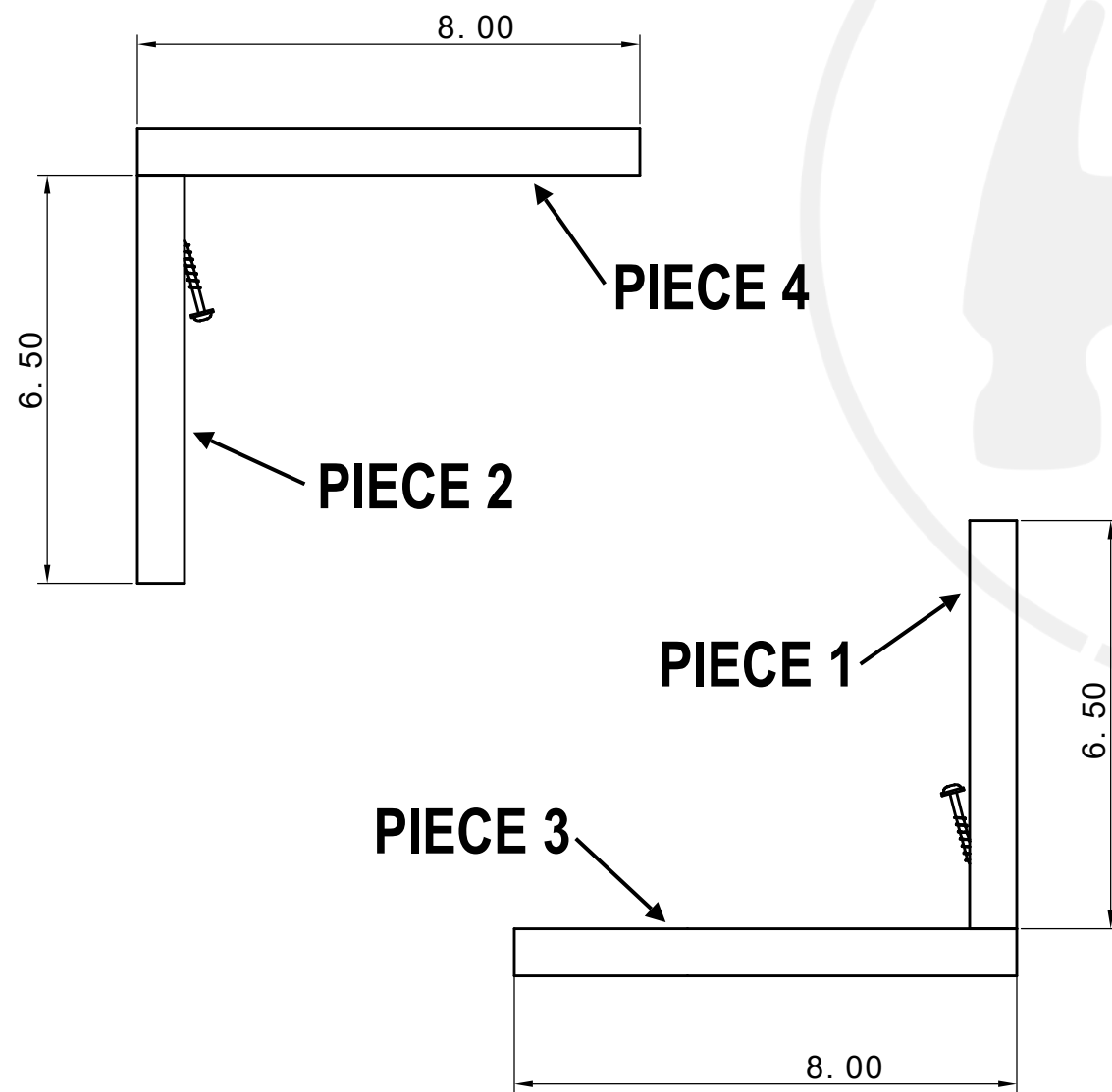


5

ASSEMBLY

- 1) CLAMP AND SCREW ONE SIDE PIECE TO THE BACK PIECE USING 1 1/4" KREG SOFT WOOD SCREWS
- 2) CLAMP AND SCREW ONE SIDE PIECE TO THE FRONT PIECE USING 1 1/4" KREG SOFT WOOD SCREWS
- 3) CLAMP AND SCREW THE TWO PARTS TOGETHER USING 1 1/4" KREG SOFT WOOD SCREWS. YOU MIGHT NEED A 90 DEGREE DRILL OR ATTACHMENT.



Halloween Lantern		
Last Update: Jan 01/22	Units: Inches	
Size: 11x17	Scale: 1:3	005