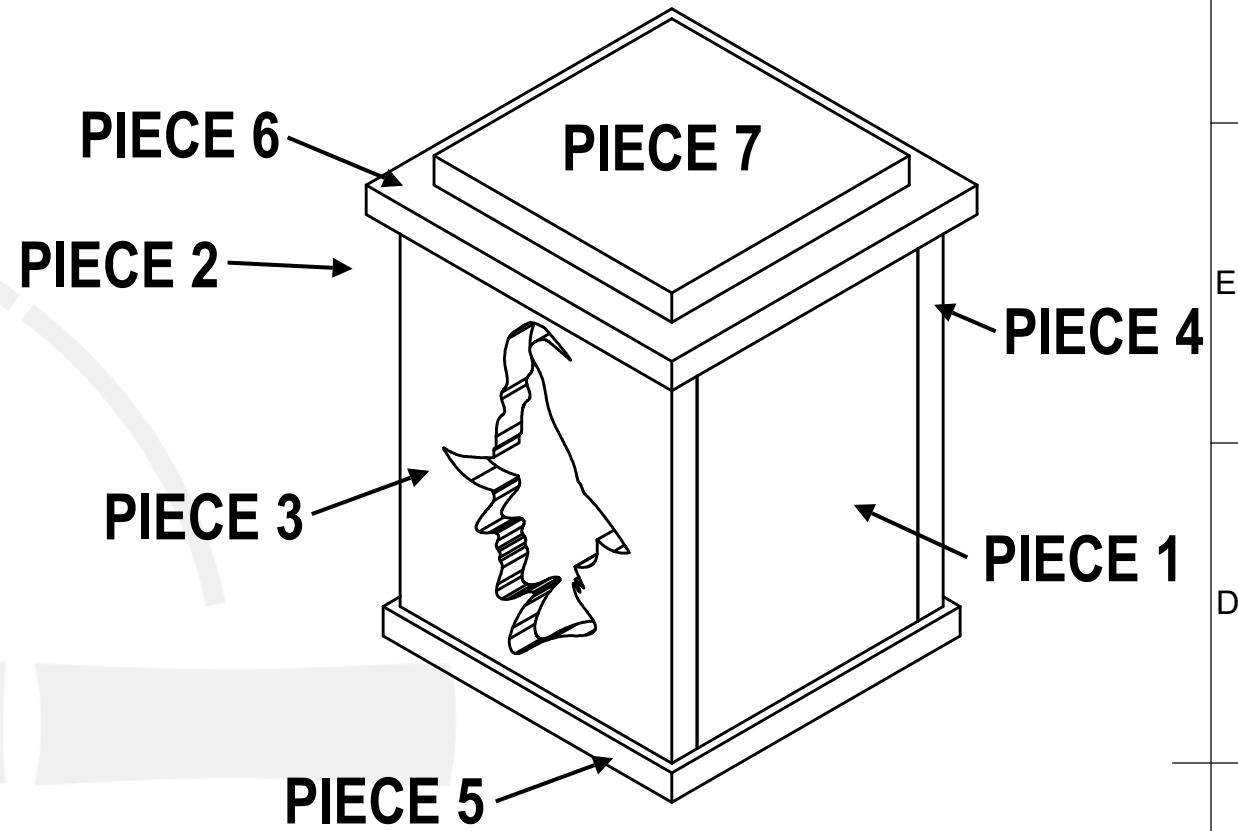
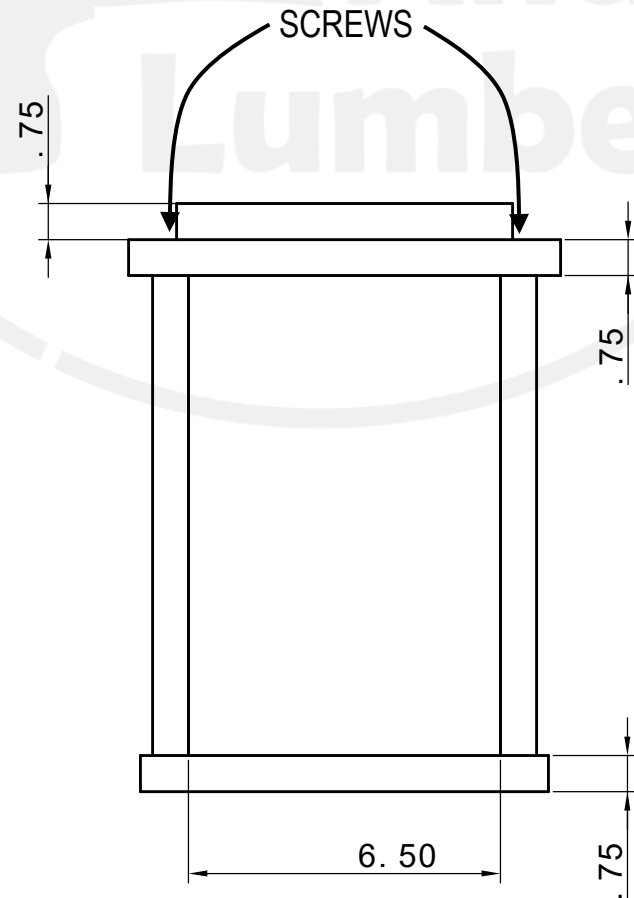
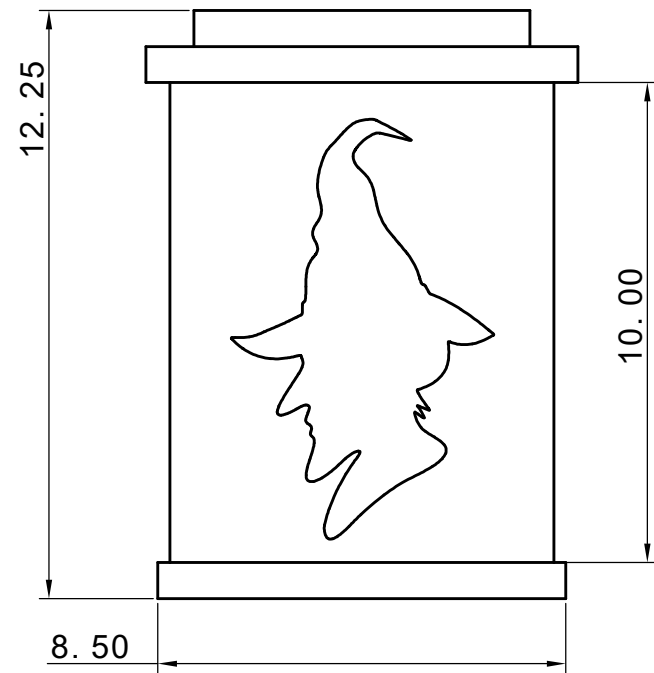
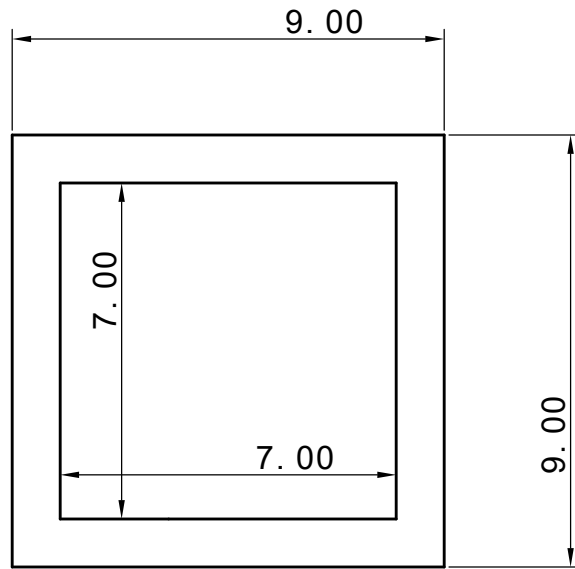


7

FINISHED

- 1) PRE DRILL TWO HOLES IN PIECE 6, AND INTO PIECES 1 & 2. PUT IN THE LED LIGHT THEN SCREW THE TOP ON.



Halloween Lantern

Last Update: Jan 01/22

Units: Inches

Size: 11x17

Scale: 1:4

007