

8

7

6

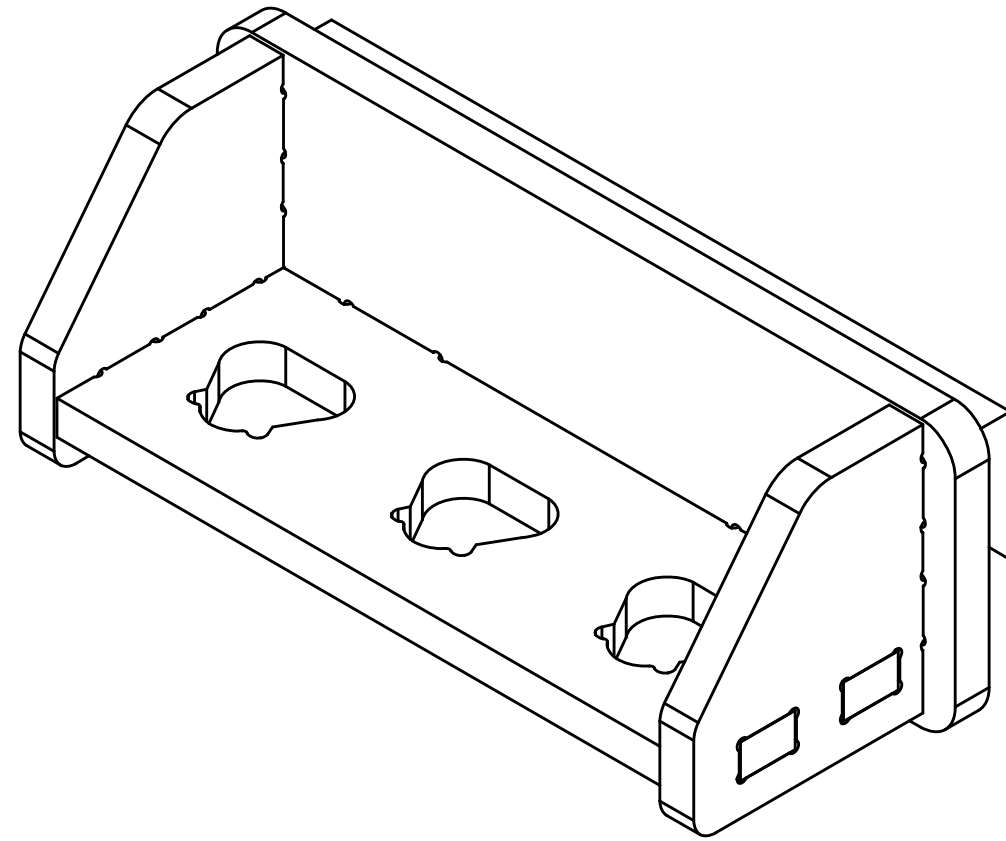
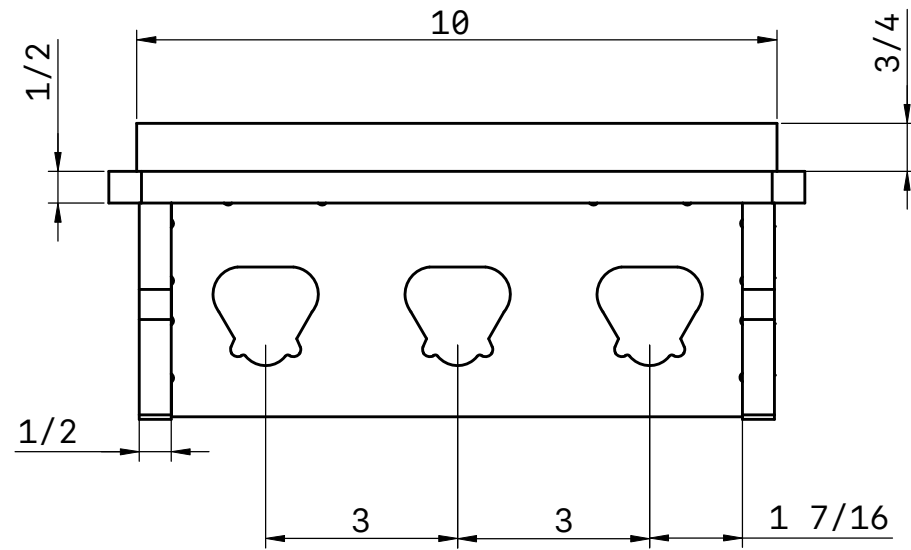
5

4

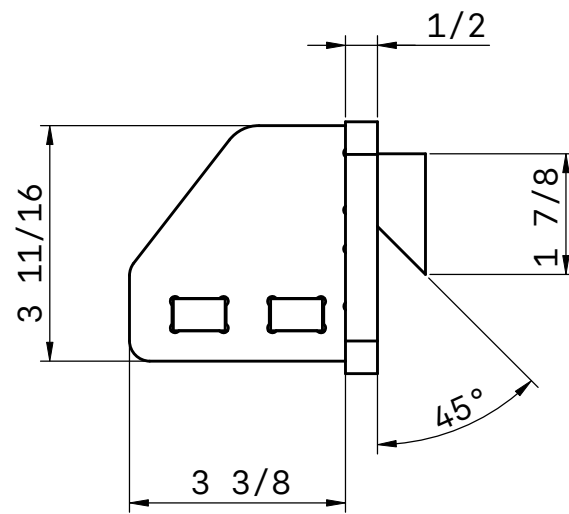
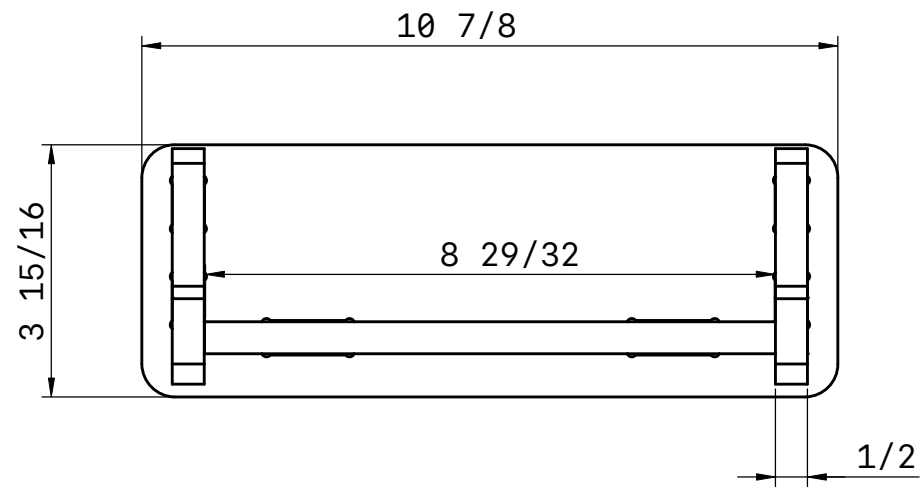
3

2

1



SCALE 1:2



TITLE
M12 Holder

-All toolpaths cut with 1/8" endmill.



REVISION	NAME	DATE

UNITS in	SCALE 1:3
PROJ. ANG. ⊙ ◁	SIZE B
LAST UPDATED 08/08/23	SHEET 1/1

8

7

6

5

4

3

2

1