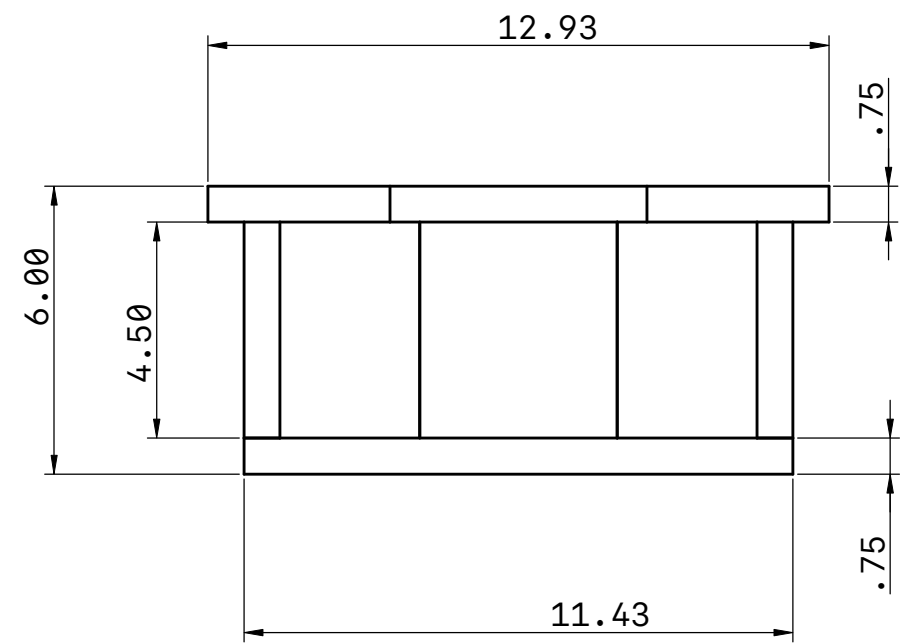
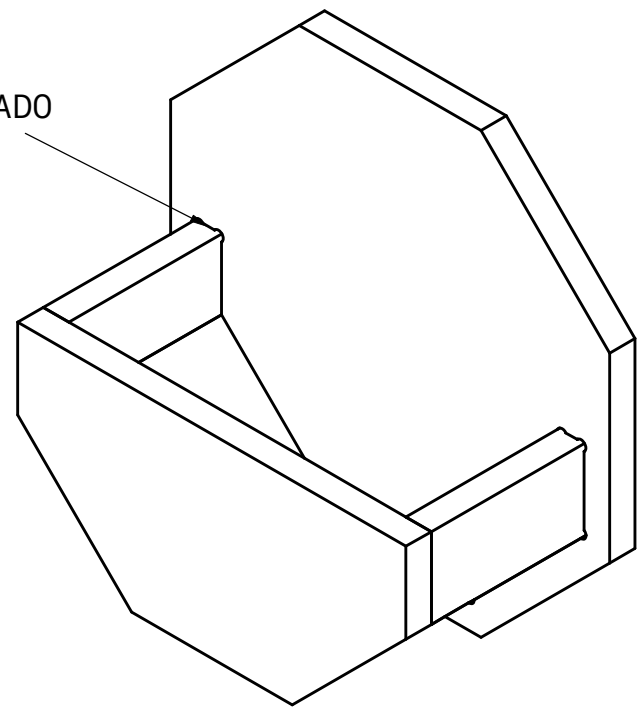


8 7 6 5 4 3 2 1



CNC DADO



TITLE
Octagon Planter

1-Planter made from cedar
2-Dxf zip files have an inches and mm file
3- 1/4" ENDMILL used for dado and outside cuts

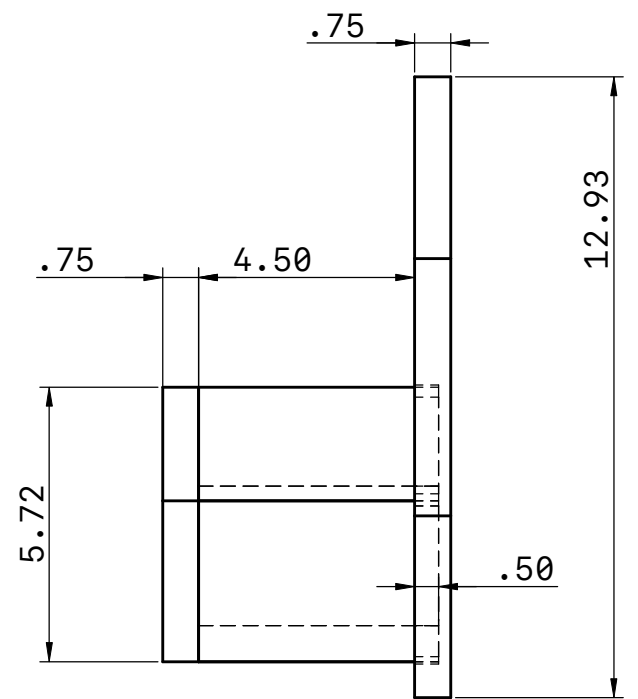
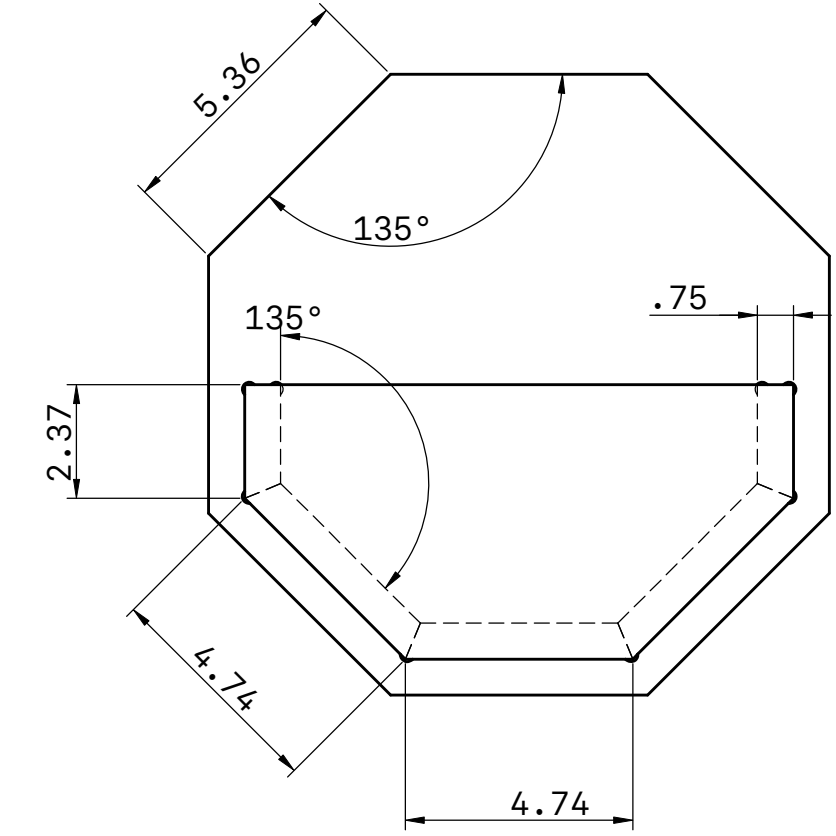
F
E
D
C
B
A

F
E
D
C
B
A



REVISION	NAME	DATE
001		June 2022

UNITS in	SCALE 1:4
PROJ. ANG. ⊙ ◁	SIZE B
LAST UPDATED 07/08/23	SHEET 1/1



8 7 6 5 4 3 2 1