

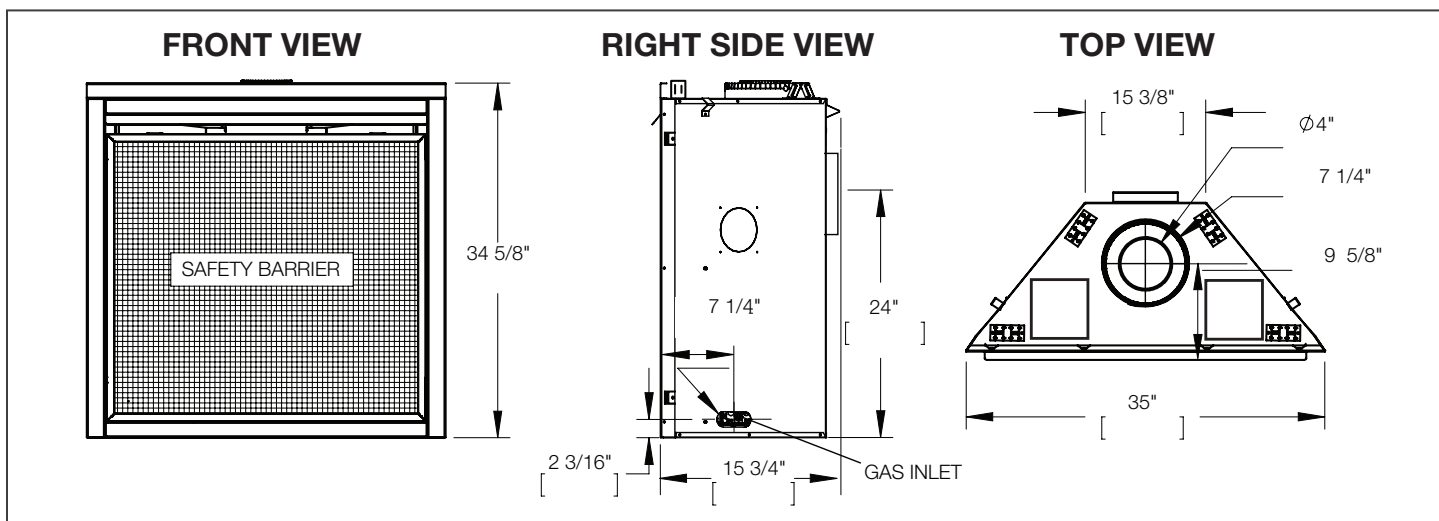
BX36 DIRECT VENT GAS FIREPLACE



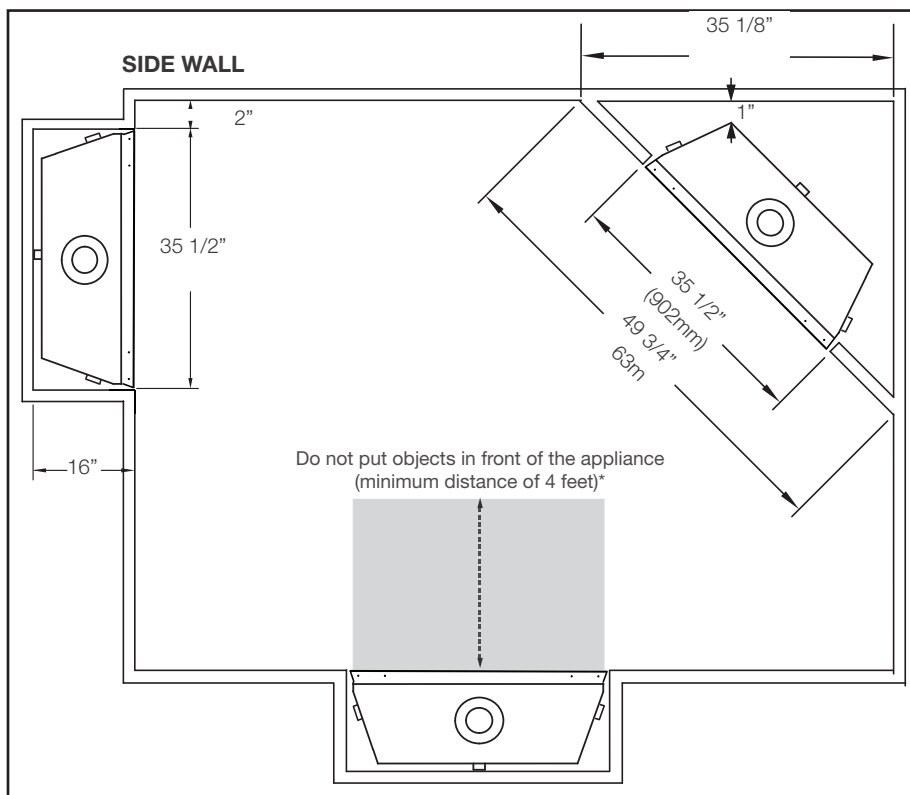
Specifications

Model	BTU	Width		Height		Depth		Glass Size
		Actual	Framing	Actual	Framing	Actual	Framing	
BX36	26,000 (NG)	35	35 1/2	34 5/8	35	15 3/4	16	30 11/16 x 23 11/16
BX36	25,000 (P)							

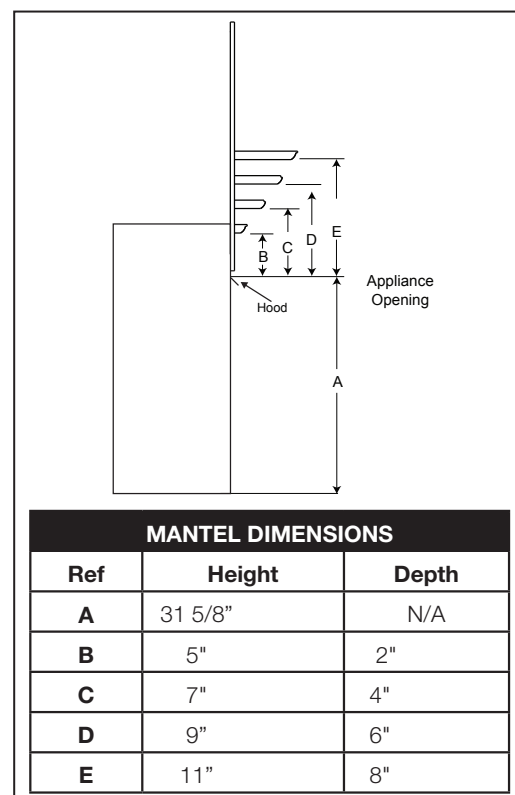
Dimensions



Appliance Location



Combustible Mantel Clearances

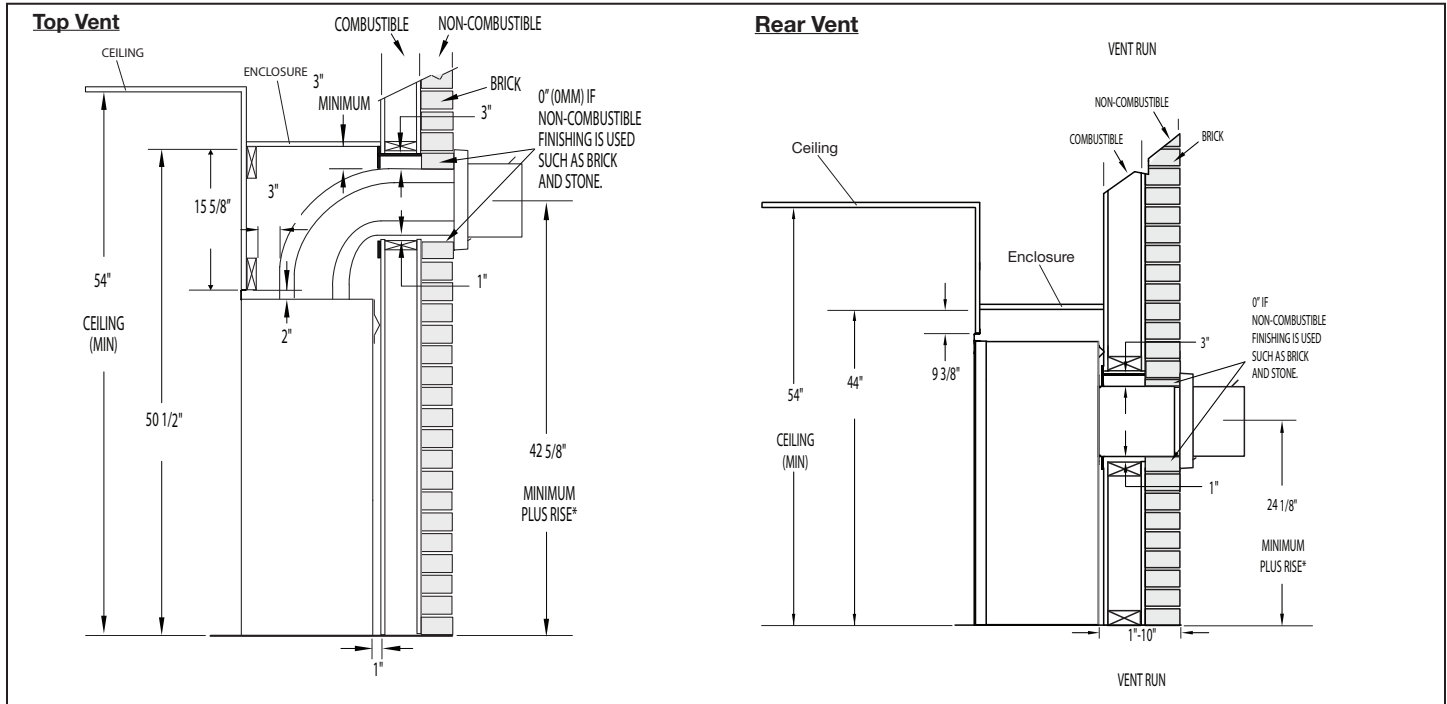


BX36 DIRECT VENT GAS FIREPLACE



Product information provided is not complete and is subject to change without notice. Please consult the installation manual for the most up to date installation information.

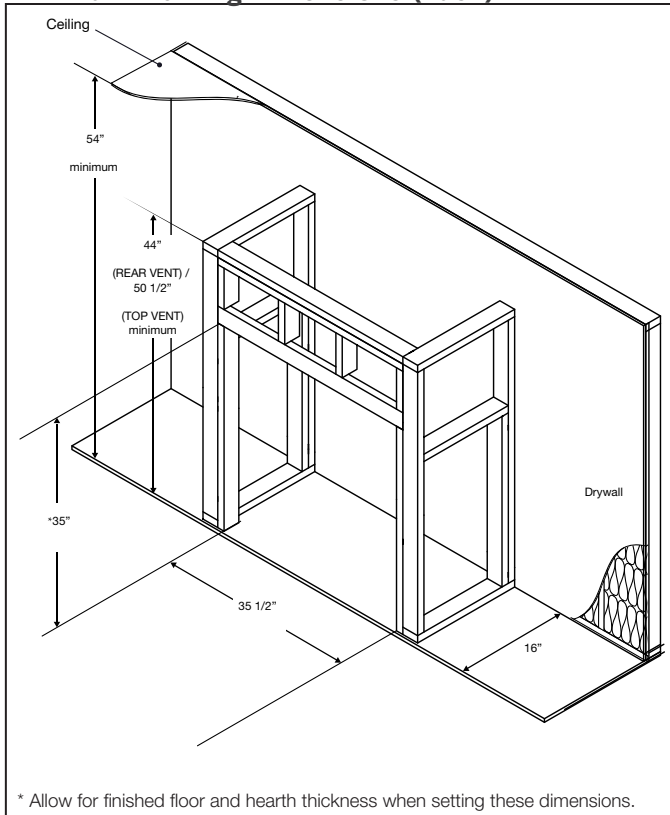
Wall Penetration



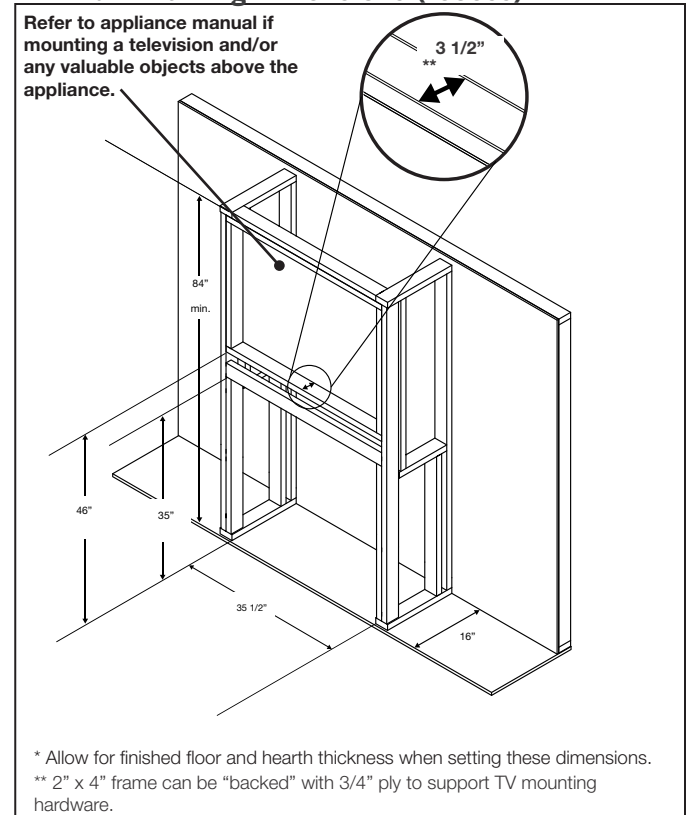
note:

Vent Sections: When passing through a wall, use the appropriate firestop spacer, use W010-3440 (not supplied) for flex venting or 4DHFSN (not supplied) for rigid venting. When passing through a ceiling, use firestop spacer W500-0292 (not supplied) for flex venting or 4DFS (not supplied) for rigid venting. **For venting and minimum clearance to combustibles, refer to appliance manual.**

Minimum Framing Dimensions (flush)



Minimum Framing Dimensions (recess)



W415-2993 / A-1 / 01.02.24