

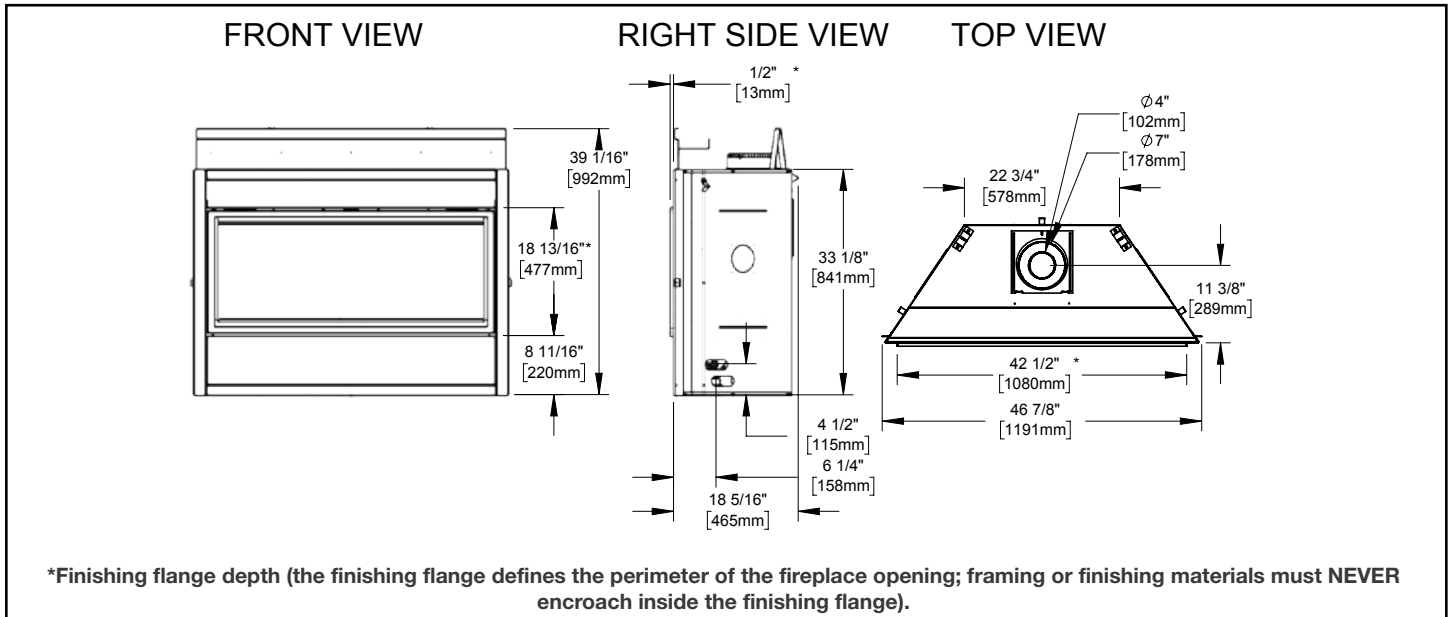
ASCENT™ LINEAR SERIES 46 DIRECT VENT GAS FIREPLACE



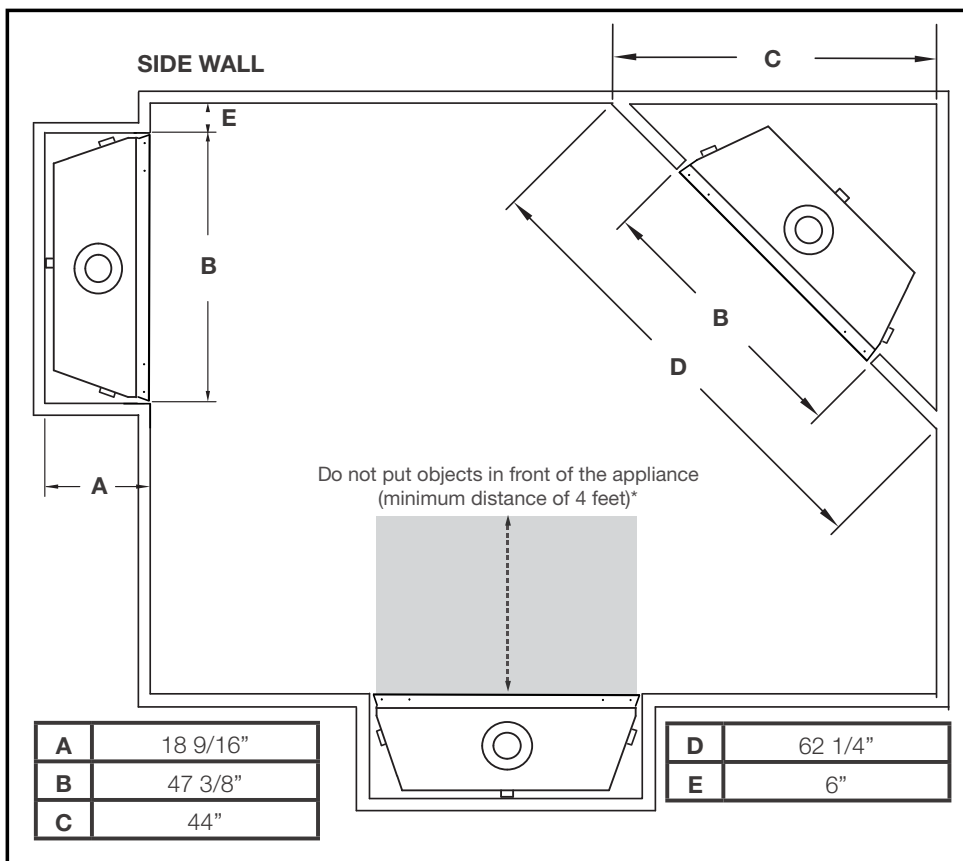
Specifications

Model	BTU	Width		Height		Depth		Viewing Area
		Actual	Framing	Actual	Framing	Actual	Framing	
BL46	24,000	46 7/8	47 3/8	39 1/16	39 3/8	18 5/16	18 9/16	14 1/8 x 39

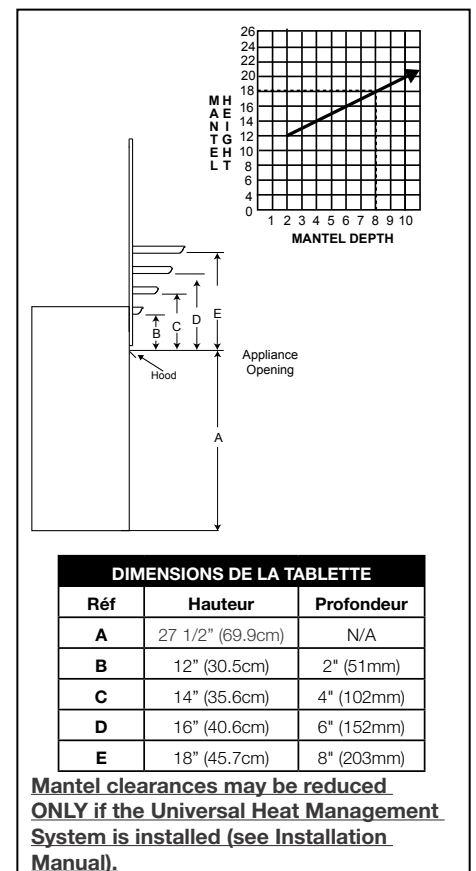
Dimensions



Appliance Location



Combustible Mantel Clearances

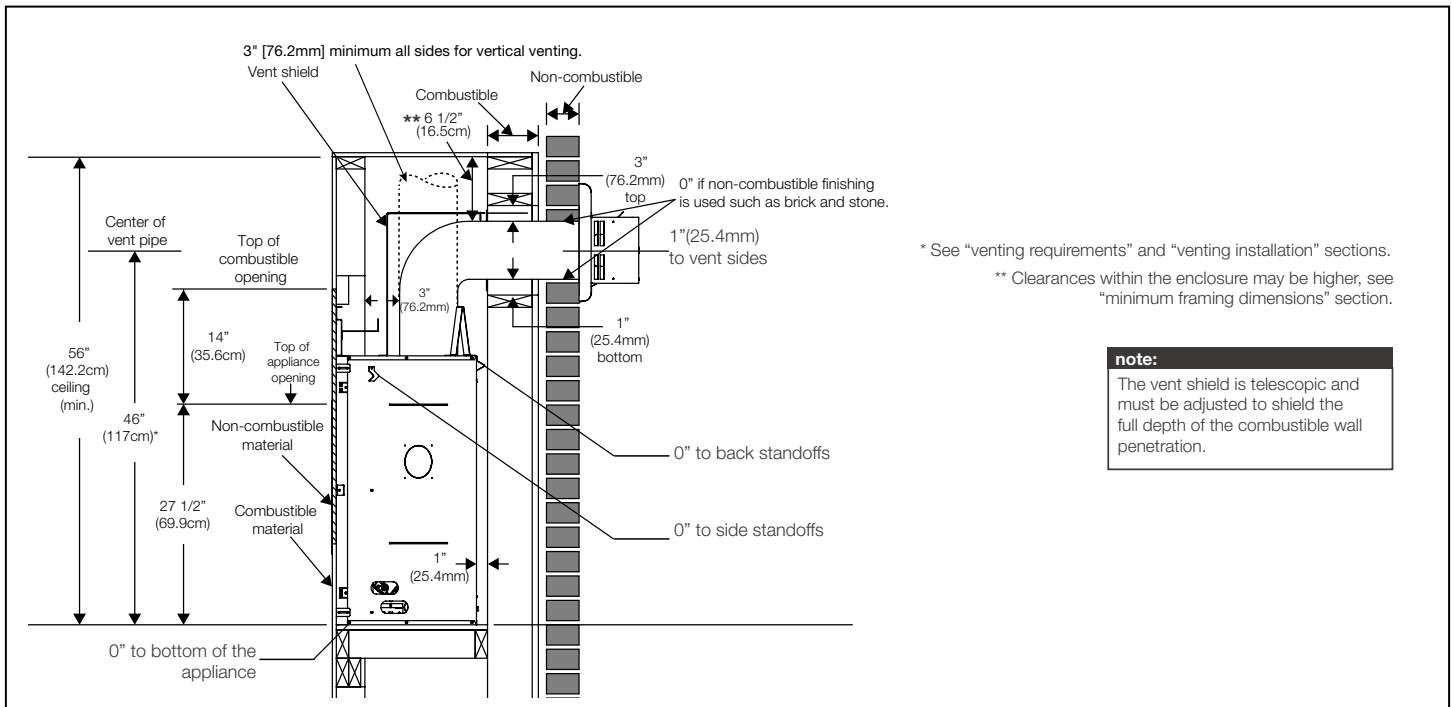


ASCENT™ LINEAR SERIES 46 DIRECT VENT GAS FIREPLACE



Product information provided is not complete and is subject to change without notice. Please consult the installation manual for the most up to date installation information.

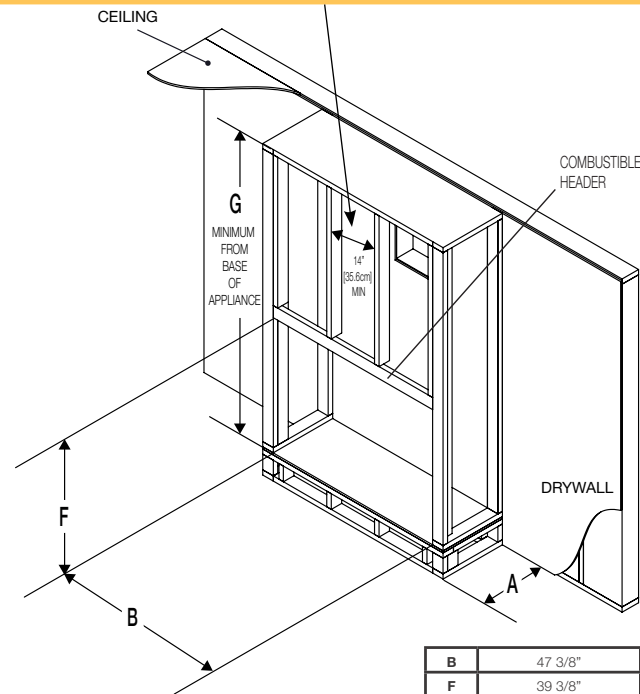
Wall Penetration



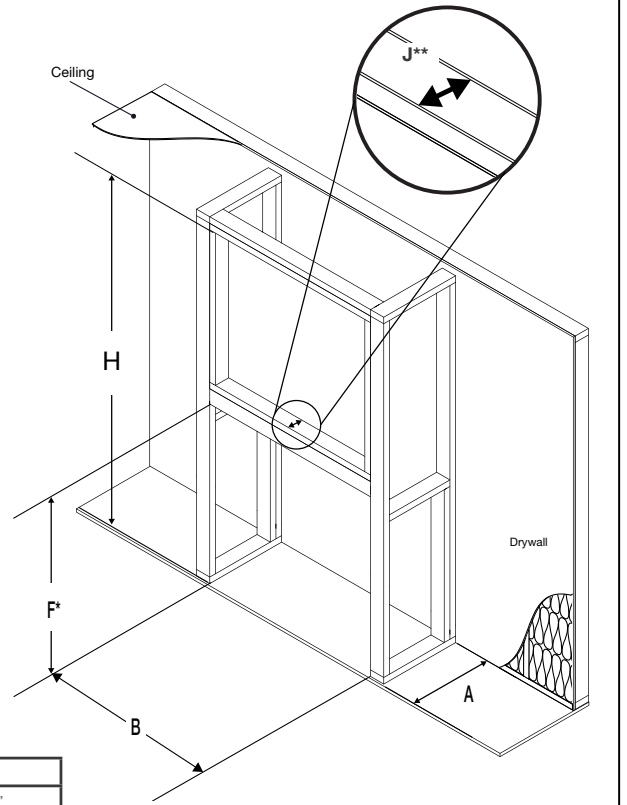
Framing

⚠ WARNING

- Do not build into this area - it must be left clear to provide adequate clearance for the vent in this 14" (35.6cm) wide area centered along the front of the appliance. The appliance should be in its final location before framing.



B	47 3/8"	H	84"
F	39 3/8"	I	3 1/2"
A	18 9/16"		
G	56"		



* Allow for finished floor and hearth thickness when setting these dimensions.
** 2" x 4" frame can be "backed" with 3/4" ply to support TV mounting hardware.

W415-3131 / 10.07.22