



# Heating with Wood Pellets

Product catalogue 2015/16 [www.oekofen.co.uk](http://www.oekofen.co.uk)



# Europe's specialist in pellet heating

**ÖkoFEN represents modern renewable energy, using environmentally friendly wood pellets.**

Founded in 1989 by the pioneer Herbert Ortner, the company has specialised solely in pellet heating systems. The result: perfected technology that is always one step ahead.

The company's pioneering spirit is further reflected in its ingenious concepts for pellet storage, the convenience of its touch-screen displays and in smart solutions for buildings with low energy requirements.

An extensive network of expert advisors and service technicians guarantees ÖkoFEN customers the best possible support.

# Why ÖkoFEN?

## THE ORIGINAL



In 1997 ÖkoFEN produced the first pellet heating system. The beginning of a success story.

The Pellematic pellet boiler system uses technology that has been tried-and-tested over years, impressing with both total reliability and highest quality workmanship.

## THE PELLETT SPECIALIST



ÖkoFEN only makes wood pellet boilers. This means we have a specialist knowledge that supports constant innovation, such as the first pellet boiler tested to independent standards, condensing technology for pellets and a combined solar/pellet system for new buildings.

## ADAPTABLE TO DEMAND



Pellematic heating systems are both flexible and adaptable. If you add an extension that requires extra heating, or your insulation is enhanced, a Pellematic boiler can adapt to this with only minor adjustments, ensuring the perfect amount of heat is always available.

## EASE OF USE



Years of experience and feedback from customers means that we are constantly developing the ÖkoFEN pellet boiler systems. The unique ash box is a great example of this.

All of the ash produced collects in an easily removable ash box, from which it can be disposed of in a completely dust-free manner. This is an optional extra on some models.

## QUALITY FROM AUSTRIA



Austria is renowned for the innovation and high quality of its engineering sector. Thoughtfully designed and skilfully manufactured products are the result of a national commitment to high standards of education and training and a passion for research and development. This gives technology from Austria a desirability all of its own and ÖkoFEN products are no exception.

## STATE-OF-THE-ART TECHNOLOGY



Pellet boiler systems from ÖkoFEN are always at the cutting edge of technology. Our engineers are focused on continuous technological advancement which has led to breakthroughs in optimised combustion, efficient condensing technology and user-friendly systems like the Pelletronic Touch heating controller.

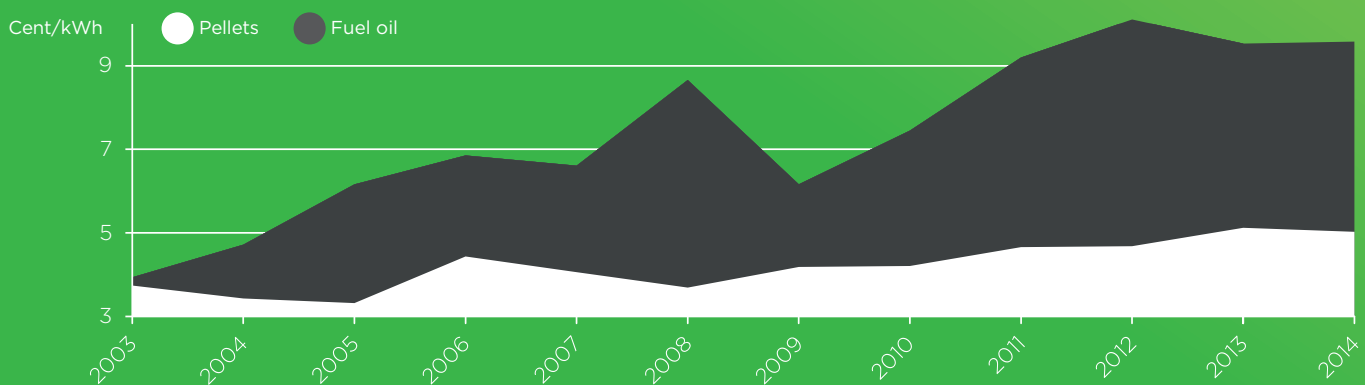
# The future belongs to heating with pellets

Wood pellets have all the properties that you would expect from a modern fuel. They are economical, convenient, environmentally friendly and crisis proof.

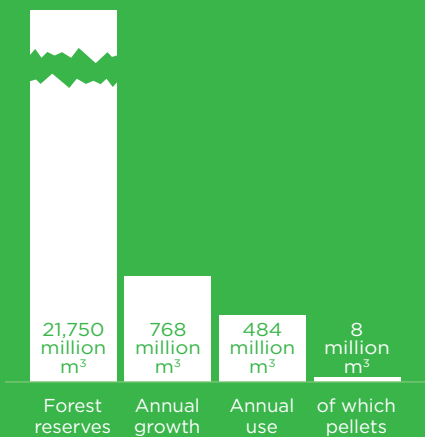
The regionally produced wood pellets made from sawdust provide independence from expensive fossil fuels and protect the environment as their combustion is CO<sub>2</sub>-neutral\*.

A comparison of the price changes in gas, oil and pellets over the last 12 years makes it very clear: the pellet price is reliably low and stable.

## AVERAGE PRICE IN CENTS/KWH



Source for price trends diagram: IWO, BMWFJ, Genol, ProPellets Austria, Version: Dec. 2014



## FUTURE-PROOF

Wood is a renewable raw material. Every year the European wood reserves grow by around 770 million m<sup>3</sup>, of which only two-thirds are currently felled. This makes pellet supply stable and assured for the long term, even in the face of increasing demand.

Diagram shows wood growth & usage in million m<sup>3</sup> in Europe  
Source: eurostat statistical book, 2011 edition

## CONVENIENT

Pellets are supplied by tanker; blown cleanly and odour-free into the storage room. The fully automated pellet delivery system takes the pellets from storage room to the boiler, where they are automatically ignited and combusted. Our tip: Pellets with the ENplus seal guarantee the best quality.

## INDEPENDENT

Oil and gas reserves are limited and are often located in politically risk-prone countries. In contrast, pellets are manufactured regionally from domestic timber. This creates independence, safeguards jobs on site and generates added value in the country concerned.

Diagram shows pellet production locations in Europe  
Source: proPellets Austria · 05-2012

\* During the combustion of wood pellets, carbon dioxide (CO<sub>2</sub>) is only released in the same amount that the tree has absorbed during its growth and would have been released in the forest as part of the natural rotting process.



# Overview



1



## PELLET BOILERS

Pellematic | Page 7  
 Pellematic Plus | Page 11  
 Pellematic Smart | Page 15  
 Pellematic Maxi | Page 19

3



## PELLET STORAGE SOLUTIONS

Fabric tank  
 Flexilo Compact / Flexilo Classic  
 Page 28  
 Pellet storage room | Page 32

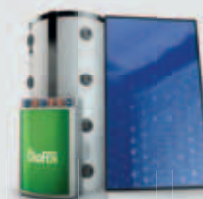
2



## HEATING SYSTEM CONTROLLER

Pelletronic Touch | Page 23

4



## SOLAR & ACCUMULATOR TECHNOLOGY

Pellesol | Page 36  
 Pellaqua | Page 39





The powerful pellet boiler for renovation projects and new buildings



Scan QR-Code and  
explore the advantages!  
[www.okofen.co.uk/en/  
oekofen\\_exklusiv](http://www.okofen.co.uk/en/oekofen_exklusiv)

# Pellematic®

FIRST-RATE  
EFFICIENCY OF

**94.7%\***

CONTINUOUSLY  
REFINED!



## Modern heating technology saves energy

- ✓ Almost 90% of household energy costs arise from heating and domestic hot water.
- ✓ With the ÖkoFEN Pellematic, your heating is highly efficient and economical.

**The efficiency of an ÖkoFEN wood pellet boiler ensures you can make savings where it matters most.**



The external ash box  
is an optional extra.

### Awards



### Performance Range

10	kW
12	kW
15	kW
20	kW
25	kW
32	kW

\* TÜV test 2009, PE 15



## The technical refinements in detail

# Pellematic®

**epc**  
technology

efficient  
performance  
control



### Manual filling

The Pellematic can be filled either automatically or manually - you choose, based on your needs.



Pellematic –  
The benefits at a glance:

# Convenient, clean, powerful and reliable.

## PIONEERING PRINCIPLE



The Pellematic boiler created by ÖkoFEN founder, Herbert Ortner, set the standard for hugely efficient combustion from wood pellets.

From the very beginning it was so advanced and reliable that other manufacturers adopted the technical principles applied by Herbert for their own products.

## CLEAN HEATING



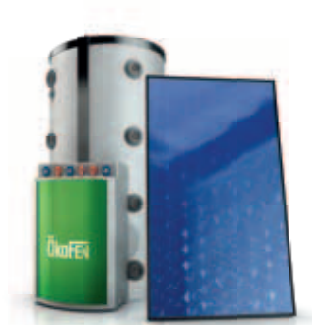
That pioneer status extends to ÖkoFEN's commitment to environmental protection. Emissions from ÖkoFEN's wood pellet boilers are way below legal limits and built-in sensor technology ensures they remain that way - permanently.

## FLEXIBLE BOILER OUTPUT



The Pellematic boiler can grow with your circumstances. If you extend or reconfigure your home, or enhance your insulation, the boiler can be adjusted to your new requirements in just a few simple steps, ensuring the power you achieve is precisely the power you need. No need for a new boiler!

## EXPANDABLE WITH SOLAR



An ÖkoFEN wood pellet boiler can be integrated with the ÖkoFEN Pellesol solar collector and a Pellaqua accumulator tank, allowing you to enjoy the benefits of renewable energy from multiple sources and the same reliable and high quality technology from a trusted name.

## CONVENIENT & POWERFUL

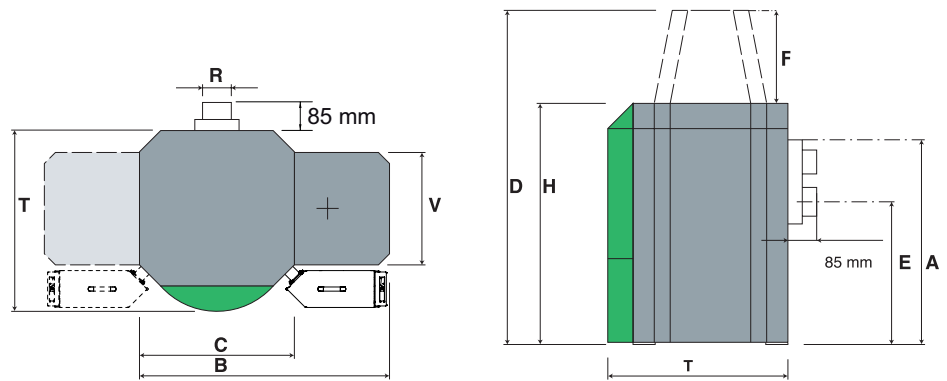


Everything else about the Pellematic boiler is fully automatic, with ignition, output adjustment and daily cleaning carried out without the need for you to intervene thus maintaining the boiler's performance at maximum efficiency.

## SAFE & RELIABLE



ÖkoFEN products are built to last and offer the ultimate in reliability. That's why we use only the highest quality materials and most accurate control systems for our boilers. In the exceptional event of a fault occurring, we will ensure a specialist pellet boiler service technician will have you up-and-running in no time.



## TECHNICAL DATA PELLEMATIC

Boiler - Type		PE(S)10	PE(S)12	PE(S)15	PE(S)20	PE(S)25	PE(S)32
Boiler-rated power	kW	10	12	15	20	25	32
Boiler-partial load	kW	3	3.4	5	6	8	10
B - overall width of boiler	mm	1130	1130	1130	1130	1186	1186
C - width of boiler casing	mm	700	700	700	700	756	756
H - height of boiler casing	mm	1090	1090	1090	1090	1290	1290
D - height of pellet suction system	mm	1392	1392	1392	1392	1592	1592
F - height of suction system filling unit	mm	302					
T - depth of boiler casing	mm	814	814	814	814	870	870
V - depth of burner casing	mm	508					
Maximum unit dimension	mm	690	690	690	690	750	750
Water supply/return Ø	inch	1"	1"	1"	1"	1¼"	1¼"
A - height of inlet/return	mm	905	905	905	905	1110	1110
E - flue gas tube connection height	mm	606	645	645	645	844	844
Overall Weight	kg	350	350	350	350	430	430
Boiler efficiency rated power	%	92 - 93					
Boiler efficiency partial power	%	91 - 93					
Water capacity	l	64	64	64	64	104	104
Fire vault temperature	°C	800-1100					
Need of draught rated power/partial load	mbar	0.08/0.03					
Flue gas temperature rated power	°C	160					
Flue gas temperature partial load	°C	100					
F.g. volume rated power at f.g. tem.	kg/h	18.9	24.2	30.4	40.6	51.1	65.8
F.g. volume partial load at f.g. tem.	kg/h	5.5	7.4	10.3	12.2	16.4	20.4
F.g. volume rated power at AGT	m <sup>3</sup> /h	21.9	28.6	37.6	50.2	63.2	81.4
F.g. volume partial load at AGT	m <sup>3</sup> /h	5.8	6.9	10.9	13	17.4	21.8
Flue gas tube diameter	mm	130	130	130	130	150	150
Chimney diameter	as per chimney calculation						
Chimney construction	Steel or ceramic lined. damp resistant						
Electrical connection value	230 VAC, 50 Hz, 16 A						



Extra efficiency and fuel savings

#### Performance Range

10	kW
12	kW
15	kW
20	kW
25	kW
32	kW

# Pellematic® Plus

EFFICIENT  
CONDENSING  
TECHNOLOGY

**102.8%\***

EFFICIENCY THANKS  
TO WASTE HEAT  
UTILISATION

#### Condensing technology: How does it work?

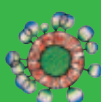
Modern condensing boilers **make use of the heat contained in the flue gas**. This gas is cooled to the point where the water vapour it holds condenses (returns to being liquid).

The left over heat is then fed back into the heating system, **increasing the efficiency of the boiler** and reducing fuel use.



The external ash box  
is an optional extra.

#### Awards



\* In accordance with standard EN 303-5, the net calorific value of a fuel (energy content without energy held in the water) is used for calculating the efficiency. In calculations for condensing boilers, which can utilise the energy held in the water, this leads to efficiency levels of over 100%.



## The technical refinements in detail

# Pellematic® Plus

### CONDENSING TECHNOLOGY INCLUDING:

- Flue gas heat exchanger
- Condensate siphon
- Flue gas tube
- Condensing heat exchanger

### Flue gas tube

Flue gas temperature kept to only 40°C with condensing technology

### Flue gas heat exchanger made of steel

### epc technology Multi-segment burner plate

### Condensing heat exchanger made of carbon

### Condensate siphon for discharging condensate into the sewer

### epc technology Negative pressure monitoring

### epc technology Combustion chamber sensor

### Fully automatic heat exchanger cleaning

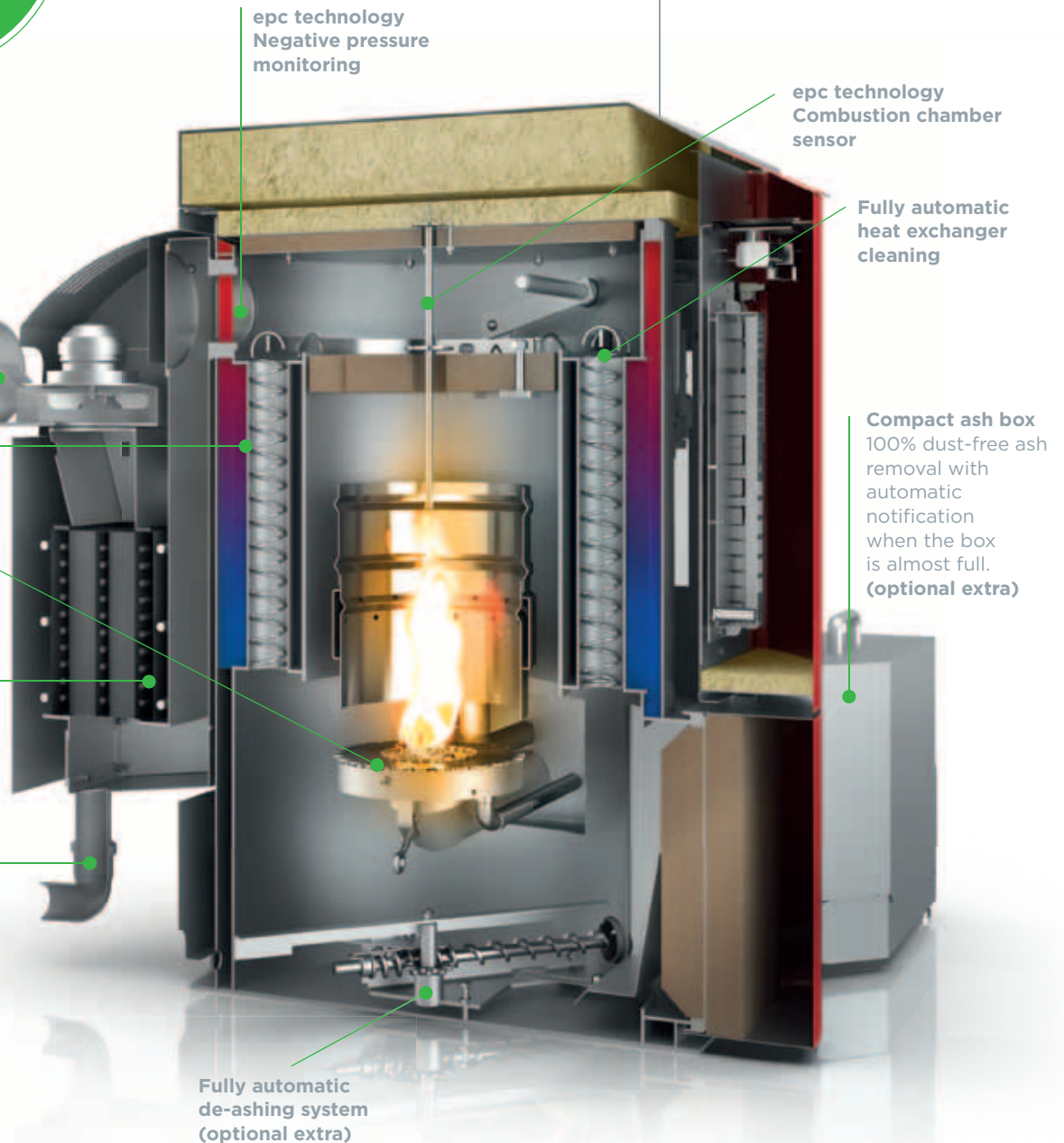
### Compact ash box 100% dust-free ash removal with automatic notification when the box is almost full. (optional extra)

### Fully automatic de-ashing system (optional extra)



### Manual filling

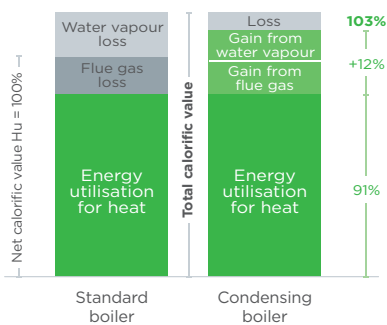
The Pellematic can be filled either automatically or manually - you choose, based on your needs.



## Pellematic Plus – The benefits at a glance:

# Waste heat used for heating. A heart made of carbon.

### ENERGY GAIN



Clever condensing technology in the Pellematic Plus achieves impressive energy recovery from otherwise waste gas. The innovative heat exchanger captures the heat contained in the flue gas for an **energy gain of up to 12 per cent**, which translates directly into a reduction in fuel use.

### PROVEN OVER YEARS



**In creating the world's first pellet boiler with condensing technology, ÖkoFEN achieved another world first!**

Since 2010 pellet boilers have been equipped with the carbon heat exchanger which provides unsurpassed efficiency from a pellet boiler.

### HIGH-TECH CARBON MATERIAL



Carbon is used widely where heavy-duty material is required. Such as in the aerospace industry or in the heat exchanger of the Pellematic Plus.

#### Its properties:

High thermal conductivity, low weight, dirt-repellent surface and resistance to corrosion.

### CLEANEST TECHNOLOGY



Our condensing boiler makes an already environmentally friendly form of heating even cleaner. Particles in the flue gas are absorbed into the condensate as part of the process and are flushed into the sewer system. **Consequently, condensing boilers boast the lowest particulate levels in the industry.**

### RETROFITTABLE



Products from ÖkoFEN are renowned for their reliability, ease of maintenance and longevity.

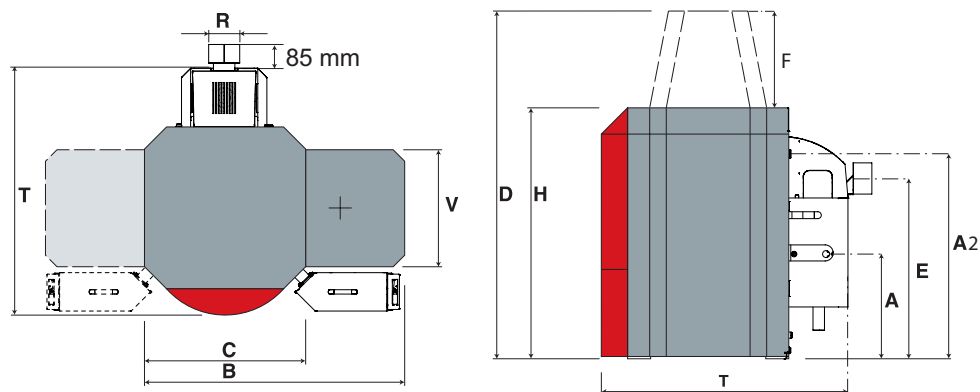
**The carbon heat exchanger can be retrofitted to every Pellematic boiler.**

### PREREQUISITES



A low-temperature system with **accumulator tank** is required for optimum operation. The return temperature must be no more than 35°C.

**Your chimney must be resistant to moisture and soot, sealed against condensation and suitable for solid fuels.**



## TECHNICAL DATA PELLEMATIC PLUS

Boiler - Type		PE(S)K10	PE(S)K12	PE(S)K15	PE(S)K20	PE(S)K25	PE(S)K32
Boiler-rated power	kW	10	12	15	20	25	32
Boiler-partial load	kW	3	3.4	5	6	8	10
B - overall width of boiler	mm	1130	1130	1130	1130	1195	1195
C - width of boiler casing	mm	700	700	700	700	761	761
H - height of boiler casing	mm	1090	1090	1090	1090	1290	1290
D - height of pellet suction system	mm	1400	1400	1400	1400	1600	1600
F - height of suction system filling unit	mm	300					
T - depth of boiler casing	mm	1080	1080	1080	1080	1135	1135
V - depth of burner casing	mm	508					
Maximum unit dimension	mm	690	690	690	690	750	750
Water supply/return - dimensions	inch	1"	1"	1"	1"	1¼"	1¼"
A - height of inlet/return pipe	mm	468	468	468	468	668	668
A2 - height of inlet/feed pipe	mm	905	905	905	905	1100	1100
E - flue gas tube connection height	mm	800	800	800	800	1000	1000
R - diameter of flue gas tube	mm	130					
Weight of boiler with casing, hopper, burner and condensing heat exchanger	kg	340	340	340	340	400	400
Boiler efficiency rated power	%	99.5	100	100.2	101.3	102	102.8
Boiler efficiency partial power	%	97.8	98	98.2	99.3	100.5	102.3
Water capacity	l	66	66	66	66	104	104
Fire vault temperature	°C	900-1100					
Need of draught rated power/partial	mbar	0.0					
Flue gas temp ra pow/pa load	°C	30-40					
F.g. volume rated power at f.g. tem.	kg/h	18.8	22.5	28.0	37.0	46.1	58.4
F.g. volume partial load at f.g. tem.	kg/h	4.5	6.5	9.6	11.1	15	18.4
F.g. volume rated power at AGT	m <sup>3</sup> /h	16.5	19.8	24.7	32.6	40.5	51.5
F.g. volume partial load at AGT	m <sup>3</sup> /h	3.9	5.7	8.4	9.8	13.2	16.2
Chimney diameter	as per chimney calculation min. 130 mm						
Chimney construction	qualified for condensing - solid fuel - damp resistant- qualified for negative draft (N1), pre ssure tight up to 0.2mbar						
Electrical connection value	230 VAC, 50Hz, 16A						



Pellet boiler with standard condensing technology - suitable for every home

#### Performance Range

4 kW  
6 kW  
8 kW  
10 kW  
12 kW  
14 kW

**New**

# Pellematic® Smart

HIGHLY  
EFFICIENT

**106%\***

EFFECTIVENESS  
AS STANDARD!

**3 in 1:**  
Boiler, accumulator and  
installation on only 1.5 m<sup>2</sup>

- ✓ **600 litre accumulator tank** for hygienic freshwater
- ✓ **Pellet burner with condensing technology** for fuel savings of up to 15% per year
- ✓ **Whole installation integrated** plug & heat
- ✚ **Integration of solar technology possible**  
Retrofitting of a solar heat exchanger also possible at a later date.



#### Awards



Energie  
Genie

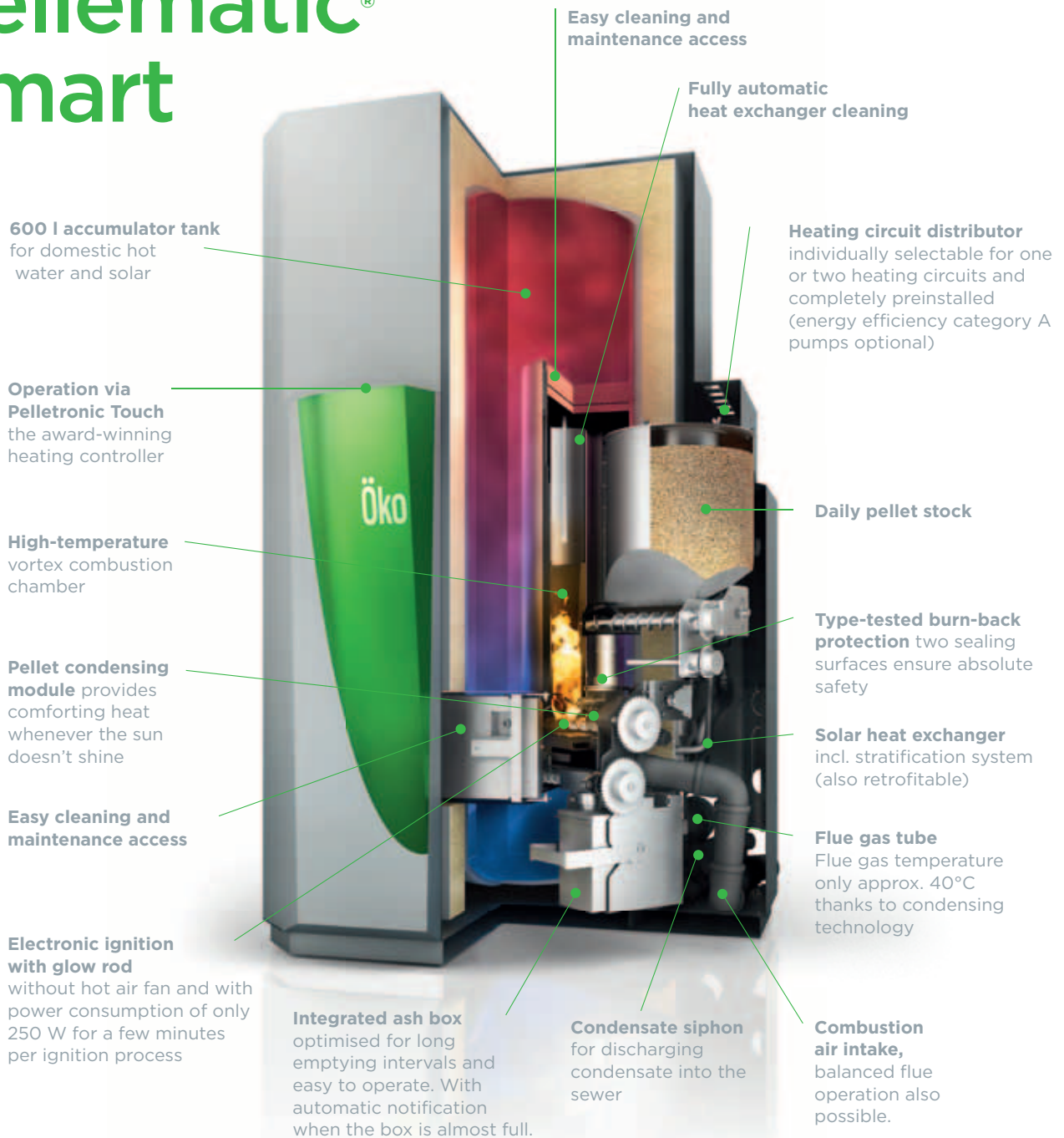


\* In accordance with standard EN 303-5, the net calorific value of a fuel (energy content without energy held in the water) is used for calculating the efficiency. In calculations for condensing boilers, which can utilise the energy held in the water, this leads to efficiency levels of over 100%.



## The technical refinements in detail

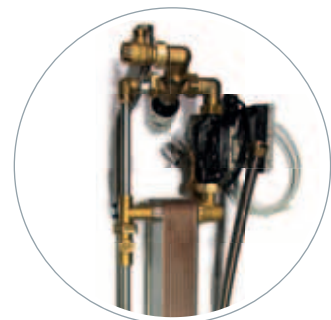
# Pellematic® Smart



Heating circuit distributor



Solar heat exchanger



Fresh water module

A comparison of boiler efficiency based on all EN 303-5 type test reports published on 1 November 2013:

# The most efficient wood pellet boiler in the world

## LOW HEATING COSTS



The Pellematic Smart is working to save energy in every way it can, taking energy from the sun and using integral condensing technology, which is supplied as standard. The condenser captures the heat in the flue gases that would otherwise be expelled up the chimney and lost, reducing your pellet consumption.

## PRACTICAL COMPLETE SOLUTION



As well as cutting heating costs, the Pellematic Smart saves space and is simple to install.

The pellet boiler, accumulator tank, pumps and pipework all fit into one compact unit that couldn't be easier to commission – simply plug in and heat.

## PERFECTLY SIZED



Through its range of 4-12 kW, the Pellematic Smart is perfectly suitable for low-energy and passive houses.

While the performance by "normal" boilers had to be throttled, the Pellematic Smart delivers maximum efficiency even at very low energy requirements.

## HIGH POWER, LOW EMISSIONS



Opting for a Pellematic Smart not only means significant savings on heating costs, but you are demonstrating your care for the environment.

The advanced condensing technology allows for a tremendous reduction in emissions.

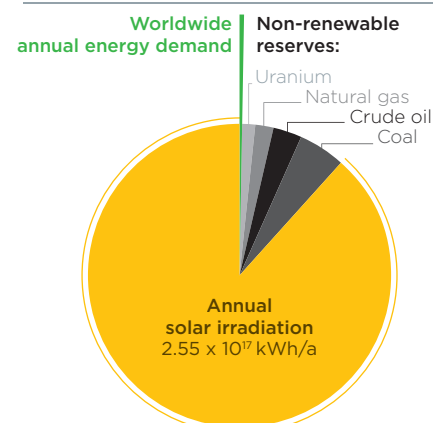
## EXTREMELY CONVENIENT



The technology of the Pellematic Smart extends beyond the boiler itself and into your hand in the form of an app for your smartphone, tablet or PC.

This gives you mobile access to your heating system settings whenever you have an internet connection.

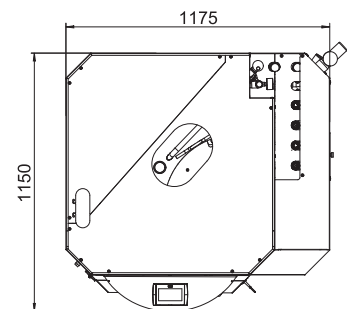
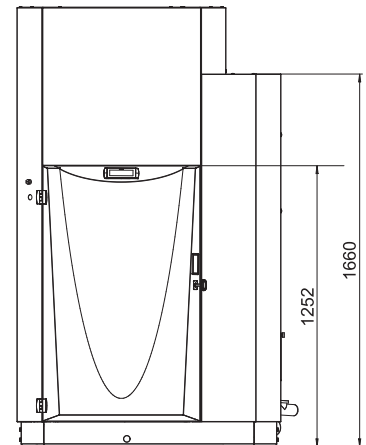
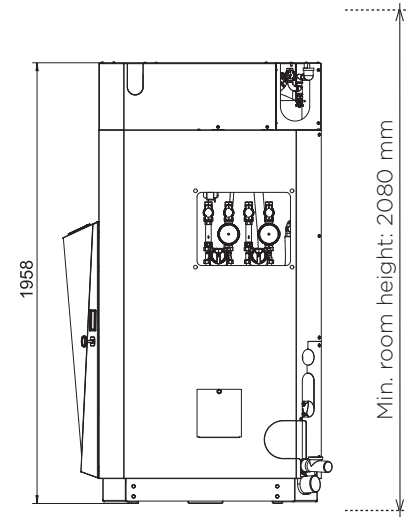
## OPTION: FREE ENERGY



The sun is an inexhaustible energy source. The Pellematic Smart efficiently takes advantage of this, using the sun to provide most of your heat. The integration of the solar thermal system is optional and can be fitted retrospectively.

## TECHNICAL DATA PELLEMATIC SMART

		4 - 8 kW	10 - 14 kW
Boiler-rated power	kW	3.9 / 6.0 / 7.8	10 / 12 / 14
Width - total	mm	1175	1175
Height - total	mm	1958	1958
Height - filling unit (handfilling)	mm	1660	1660
Depth - total	mm	1150	1150
Minimum carcass dimension	mm	790	790
Tilted height	mm	1970	1970
Water supply/return - dimensions	inch	¾" IG	¾" IG
Height of inlet/return	mm	1330	1330
Flue pipe connecting height	mm	490	490
Condensation pipe connecting height	mm	175	175
Dry weight fully equipped, not packed	kg	490	495
Boiler efficiency rated power	%	100.0 / 103.3 / 106.1	105.9 / 105.6 / 105.3
Water capacity	l	605	605
Available depression flue gas fan	mbar	0.05	0.05
Flue gas temperature rated power	°C	35° - 50°	35° - 50°
Flue gas mass flow rated power	kg/h	9.5 / 12.8 / 15.8	17.5 / 21 / 24.5
Flue gas volume rated power	m³/h	7.3 / 9.8 / 12.2	13.5 / 16.2 / 18.8
Flue gas tube diameter (at the boiler)	mm	132 (inner)	132 (inner)
Flue diameter	min. 130 mm as per chimney calculation		
Flue constitution	qualified for condensing - solid fuel - damp resistant - N1 or P1 (as per flue calculation)		
Electrical connection value	230 VAC, 50Hz, 16A		
Volume hopper	kg	32 / 42 (filling by hand)	
<b>Max. permissible operating pressure:</b>			
Heating	bar	3	3
DHW heat exchanger	bar	6	6
Solar thermal exchanger	bar	6	6
<b>Heat exchanger areas:</b>			
Solar thermal exchanger (compared with bare tube heat exchanger)	m²	2.6	2.6
<b>Heat exchanger capacity:</b>			
DHW heat exchanger	l	0.8	0.8
Solar thermal exchanger	l	2	2
<b>Heat insulation:</b>			
Casing, heat insulation special glass wool with glass silk coating of 0.035 W/mK	mm	100	100
DHW station delivery capacity	25 l/min at 60°C accumulator temperature and 45°C hot water temperature		







**The compact large boiler for apartment buildings, commercial and public buildings**

"With pellets, I am investing consciously in reliability and stability, with favourable heating costs for my company."  
Hannes Nösslböck, Managing Director Träumeland GmbH

#### Performance Range

36 kW  
48 kW  
56 kW

# Pellematic® Maxi

PLENTY OF POWER  
IN A SMALL SPACE

## 56 kW

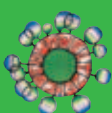
PERFECT FOR LARGE  
BUILDINGS

### Big benefits in a small space

- ✓ Heating output up to **56 kW** flexibly variable.
- ✓ Expandable in cascade mode **up to 224 kW**
- ✓ **Fits through every standard door**, avoids conversions
- ✓ **Easy to maintain** and extremely **convenient**



#### Awards

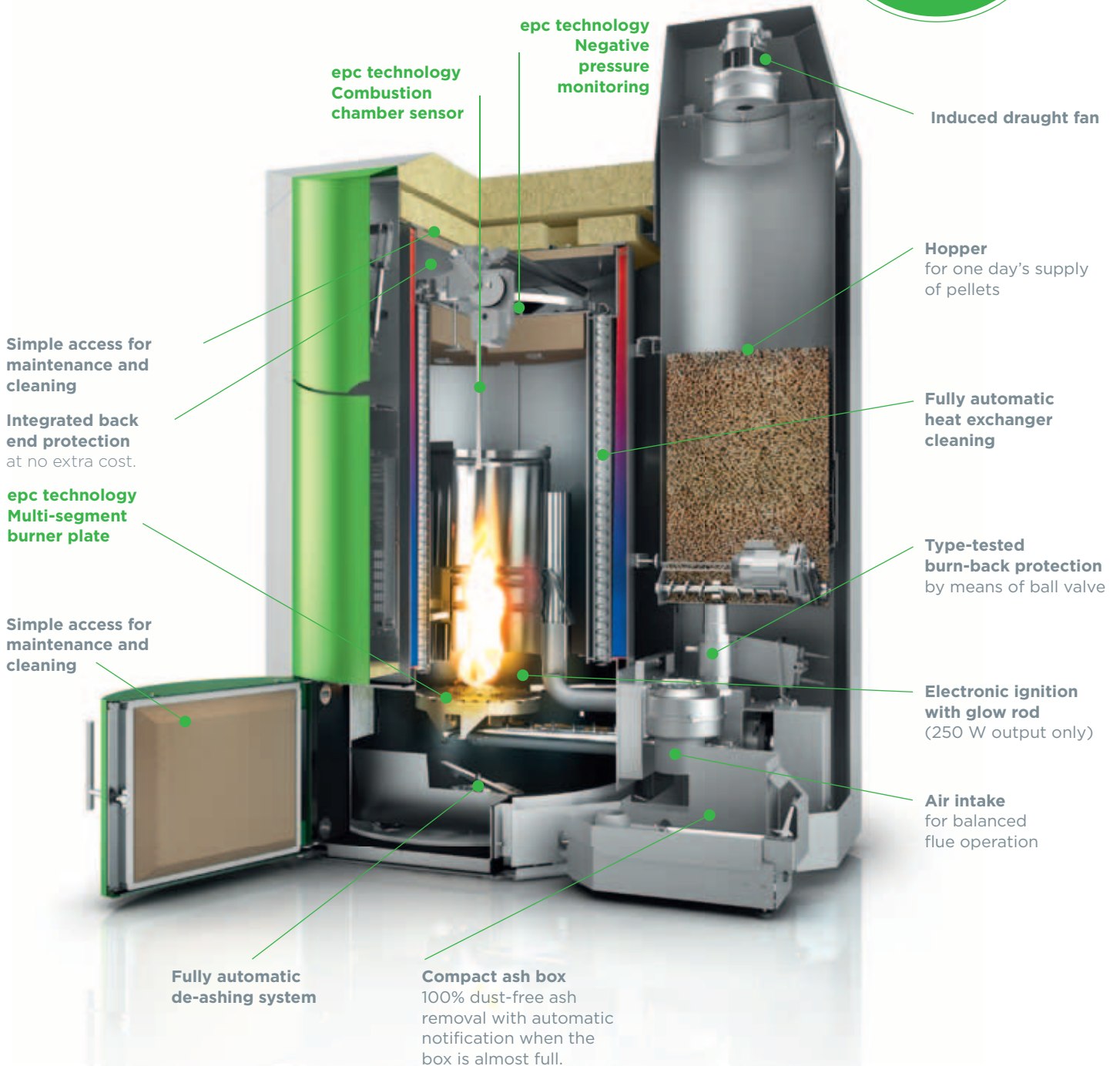


The technical refinements  
in detail

# Pellematic® Maxi

**epc**  
technology

efficient  
performance  
control



## Possible combinations

Output	modulated	Cascade
72 kW	to 11 kW	with 2 boilers
96 kW	to 15 kW	with 2 boilers
112 kW	to 17 kW	with 2 boilers

Output	modulated	Cascade
144 kW	to 15 kW	with 3 Boilers
168 kW	to 17 kW	with 3 Boilers
192 kW	to 15 kW	with 4 Boilers
224 kW	to 17 kW	with 4 Boilers

Pellematic Maxi –  
The benefits at a glance:

# The compact heating system for large-scale requirements.

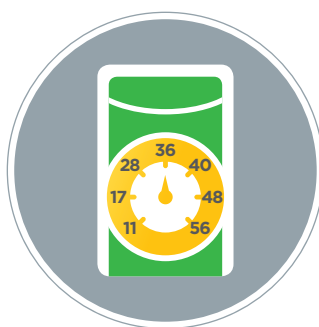
## HEATING FOR COMFORT



The Pellematic Maxi provides the proven technology of the Pellematic family of boilers for large-scale use.

**The clean and simple to empty compact ash box** is supplied as standard with the Pellematic Maxi.

## FLEXIBLE & ECONOMICAL



The Pellematic Maxi is extremely flexible, which also makes it very economical.

**When demand for heat is high it will switch to maximum output. But when demand tails off it will adjust its output accordingly - to as low as 30% of its available capacity, keeping fuel use to a minimum.**

## PROFESSIONAL & MOBILE



With our Pellematic Touch heating controller you can quickly and conveniently access the heating system and call up all of its data from a computer or smartphone, wherever you are. The mobile user interface is a copy of the control panel on the boiler making access easy.

## LOW MAINTENANCE



At ÖkoFEN we work continuously to refine our products with clever new ideas and innovations in heating technology.

A great example of this is the **patented multi-segment burner plate**. Individual segments in the burner plate can be replaced, ensuring maintenance costs are kept to a minimum and service life is maximised.

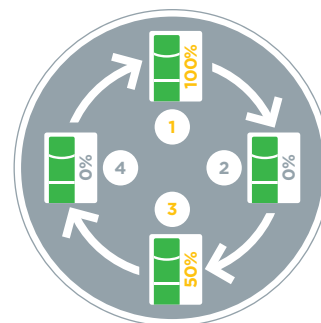
## WELL INFORMED



In the local authority and commercial sector information on fuel use and costs is crucial. This makes it important that pellet consumption is accurately recorded.

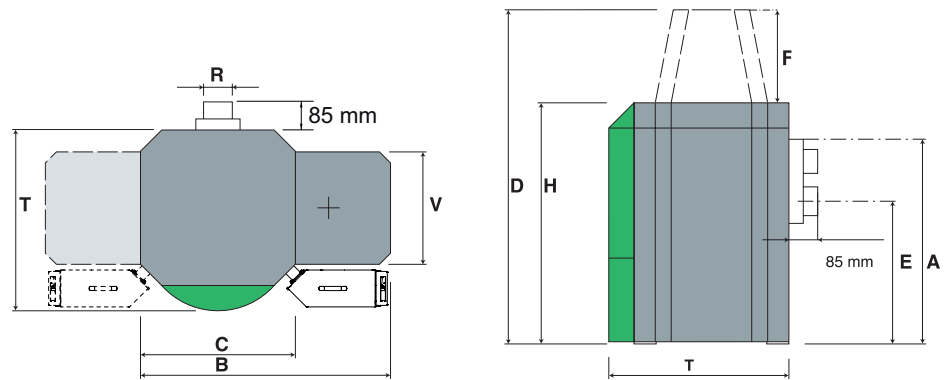
**The optional, intelligent ÖkoFEN weighing system can ensure this information is always available,** via the Pellematic Touch controller.

## POWERFUL TEAM PLAYER



**Thanks to Cascade Control, up to four Pellematic Maxi boilers can run in parallel, generating high levels of heat and low levels of wear on the individual boilers.**

When full power is not required, only the boilers that are actually needed will be called into use.



### TECHNICAL DATA PELLEMATIC MAXI

Boiler - Type		PES36	PES48	PES56
Boiler-rated power	kW	36	48	56
Boiler-partial load	kW	11	15	17
B - overall width of boiler	mm	1297	1297	1297
C - width of boiler casing	mm	862	862	862
H - height of boiler casing	mm	1553	1553	1553
D - height of pellet suction system	mm	1855	1855	1855
F - height of suction system filling unit	mm		302	
T - depth of boiler casing	mm	990	990	990
V - depth of burner casing	mm		508	
Maximum unit dimension	mm	790	790	790
Water supply/return Ø	inch	2"	2"	2"
A - height of inlet/return	mm		1,320	
E - flue gas tube connection height	mm		1,040	
Overall Weight	kg		605	
Boiler efficiency rated power	%		92 - 93	
Boiler efficiency partial power	%		91 - 93	
Water capacity	l		135	
Fire vault temperature	°C		800-1100	
Need of draught rated power/partial load	mbar		0.08/0.03	
Flue gas temperature rated power	°C		160	
Flue gas temperature partial load	°C		100	
F.g. volume rated power at f.g. tem.	kg/h	73.7	97.5	113.2
F.g. volume partial load at f.g. tem.	kg/h	22.5	31	34.9
F.g. volume rated power at AGT	m <sup>3</sup> /h	91.1	120.7	140
F.g. volume partial load at AGT	m <sup>3</sup> /h	24	33	37.2
Flue gas tube diameter	mm		180	
Chimney diameter	as per chimney calculation			
Chimney construction	Steel or ceramic lined, damp resistant			
Electrical connection value	230 VAC, 50 Hz, 16 A			





Simple to use touch technology - from everywhere with the Pelletronic WebApp



Scan QR-Code &  
test online version live!  
[touchdemo.oekofen.info](http://touchdemo.oekofen.info)

# Pelletronic Touch

OPERATING  
SYSTEM V2.03

## New

THE SMARTER  
CONTROLLER

### Complex technology, simple control

- ✓ **NEW: The weatherman inside** - adaptation of the heating power to the weather
- ✓ **NEW: myPelletronic App** Intelligent networking of smartphone and heating control
- ✓ **NEW: WLAN function** Full access to the heating control from anywhere



### Awards



## Pelletronic Touch – The benefits at a glance:

# Easy to operate, it controls your whole heating system.

### EASY TO OPERATE



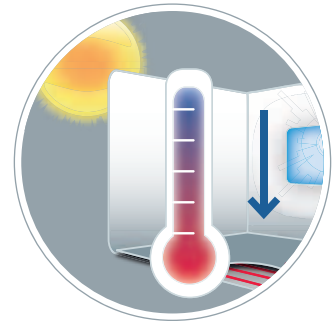
You will find the navigation menu on the Pelletronic Touch immediately understandable. The clearly arranged, illuminated graphic display features both intuitive symbols and text, making all of the system's functions available at the touch of a finger.

### THE MULTI-TALENTED CONTROLLER



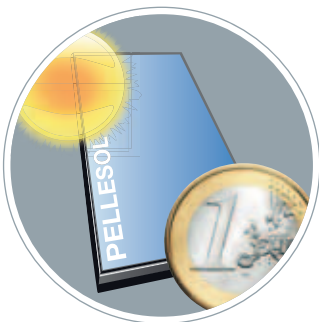
The Pelletronic Touch puts you in control of your home's entire heating and hot water system. Any combination of up to six heating circuits, three hot water boilers, three accumulator tanks and solar thermal systems, each with two solar circuits, can be managed from the same controller.

### THE WEATHERMAN INSIDE



The controller evaluates online weather data using your local weather forecast. This allows the boiler output to be adapted in relation to the hours of sunshine.

### MORE ENERGY FOR FREE



Active use of solar energy by solar panels: The new Touch Software V2.03 uses the local weather forecast to control the heating system. When sun is expected from the solar panels the heating system will wait for it - thus saving money.

### AUTO. ENERGY SAVING MODE



If you travel further than your preset distance from home the app sends you a message and asks you if you want to turn on the energy saving mode. It will adjust the temperature accordingly helping you to save money.

### CONVENIENT



A wide range of convenient solutions are available with Pelletronic Touch:

- WiFi ready
- Individual names for heating circuits for better usability
- Online function without any extra costs

A woman with light-colored hair, wearing a plaid shirt, is holding a small, cylindrical wood pellet between her fingers. The pellet is light brown and has a textured surface. The background is a soft, out-of-focus grey.

---

## Storage technology

---

**Our system design means that the supply of pellets to your boiler is always consistent and reliable, whether they are stored in the same building or in an outside tank.**

**A well-specified system will save space and enable dust-free delivery of pellet supplies by tanker.**



# Systematic storage

## Flexilo fabric tanks

- Simple and quick installation
- Clean and space saving storage
- Dust-tight, permeable to air and permanently anti-static
- Suitable for damp enclosed room
- Can be installed outside if protected from rain and UV light
- Even suitable for low headroom
- Available in 35 sizes from 450 kg to 12 tonnes



Scan QR-Code &  
watch video!



## Pellet storage room

ÖkoFEN have unrivalled know how and an unsurpassed range of solutions for adapting cellars and other rooms for pellet storage.

We can provide advice on every aspect of storage, from the correct amount of space for your system through to all inclusive solutions with bespoke floor plans and automated pellet transport to the boiler.



A convenient and affordable storage solution, perfect for use in limited space, rooms with low ceilings or damp cellars.

#### FLEXI TANK WITH VACUUM SYSTEM



Flexi tank and heating system are up to 20 m apart.

#### FLEXI TANK WITH DELIVERY SYSTEM



Flexi tank and heating system are in one room.

#### The traditional way to store pellets.

A storage room makes full use of the space available and every last pellet is delivered to the boiler for burning.

#### STORAGE ROOM WITH VACUUM SYSTEM



Pellet store and heating system are up to 20 m apart.

#### STORAGE ROOM WITH DELIVERY SYSTEM



Pellet storage room and heating system are side-by-side.

Space aplenty  
for plenty of pellets

# Flexilo fabric tanks

INNOVATIVE  
STORAGE SOLUTION

**+60%**

FILLING VOLUME FOR  
FLEXILO COMPACT



Flexilo  
Compact  
filled



Flexilo  
Compact  
emptied



## FLEXILO COMPACT

The Flexilo Compact fabric tank is an innovative refinement of the original which, with its extension spring system, allows up to 60% more filling volume than the equivalent size of standard tank. Thanks to an integral pellet feeding auger delivery system and the tensioning springs, that pull the tank into a 'V' shape allowing the tank to empty completely.

There are different height versions of the Flexilo Compact, even with a ceiling height as low as 1.85 metres, larger quantities of pellets can be stored with ease.

## FLEXILO CLASSIC

These storage solutions have been specially designed for ÖkoFEN pellet boilers. The tank consists of a polyester fabric interwoven with metal thread.

The high-grade fabric is dust-tight, permeable to air and permanently anti-static. Installed quickly and simply, Flexilo fabric tanks are available in sizes from 450 kg (manual filling) to 12 tonnes with a delivery or vacuum system.

Special sizes are available on request.



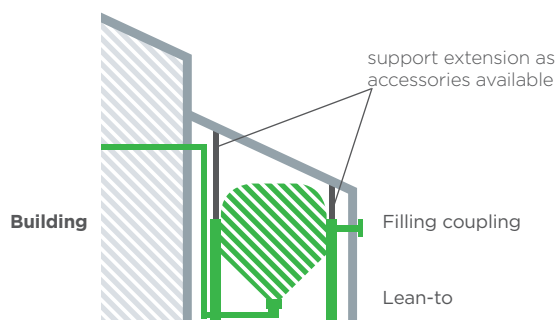
Incredibly  
adaptable

# Available in 35 sizes from 450 kg to 12 tonnes



## ALL UNDER CONTROL

You can avoid having to judge when to re-order pellets by equipping your storage room or flexi tank with our optional sensor. **The sensor will send a warning message to the display panel warning that the pellet level is low.**



## WITH OUTDOOR INSTALLATION

An ÖkoFEN flexi tank can even be installed outside the building containing the boiler. A simple lean-to arrangement, with a roof and side panelling can protect it from the rain and UV radiation.

## TECHNICAL DATA FLEXILO COMPACT

Art.Nr.	length	width	height*	filling capacity** at ceiling height			
				185 cm	190 cm	200 cm	240 cm
KGT1814EU	1,840 mm	1,440 mm	1,850 - 1,970 mm	1.3 - 1.6 t	1.4 - 1.8 t	1.6 - 2.0 t	2.7 - 3.3 t
KGT1818EU	1,840 mm	1,840 mm	1,850 - 1,970 mm	1.7 - 2.0 t	1.9 - 2.3 t	2.0 - 2.5 t	3.4 - 4.0 t
KGT2614EU	2,580 mm	1,440 mm	1,850 - 1,970 mm	2.0 - 2.5 t	2.2 - 2.8 t	2.4 - 3.0 t	4.0 - 4.7 t
KGT2618EU	2,580 mm	1,840 mm	1,850 - 1,970 mm	2.4 - 3.0 t	3.0 - 3.7 t	3.2 - 4.0 t	5.0 - 6.2 t
KGT2620EU	2,580 mm	2,040 mm	1,850 - 1,970 mm	3.3 - 4.1 t	3.5 - 4.4 t	3.7 - 4.7 t	5.5 - 7.0 t
KGT2626EU	2,580 mm	2,580 mm	1,850 - 1,970 mm	4.0 - 5.1 t	4.5 - 5.6 t	4.9 - 6.1 t	7.2 - 8.5 t

## TECHNICAL DATA FLEXILO CLASSIC

Art.Nr.	length	width	height*	filling capacity**
				in mm
S110	1,100	1,100	1,350	450 kg (hand fill)
S160EU	1,700	1,700	1,970	2.0 - 2.5 t
S190EU	2,040	2,040	1,970	2.8 - 3.2 t
S220EU	2,300	2,300	1,970	3.1 - 3.6 t
S260EU	2,580	2,580	1,970	4.0 - 4.6 t
S2216EU	2,300	1,700	1,970	2.7 - 3.1 t
S2219EU	2,300	2,040	1,970	3.0 - 3.4 t
S2619EU	2,580	2,040	1,970	3.0 - 3.6 t
S2622EU	2,580	2,300	1,970	3.6 - 4.2 t

### NOTE:

\* height of wooden construction

\*\* Filling volume depends on the bulk weight of pellets (kg/m<sup>3</sup>) as well as ceiling height and can differ by up to 20%.

For maximum filling capacity a minimum room height of 2400 mm is needed.

### Selection of storage size

heating load      annual requirement  
                                 pellets

**per 1 kW = 400 kg**

Example:

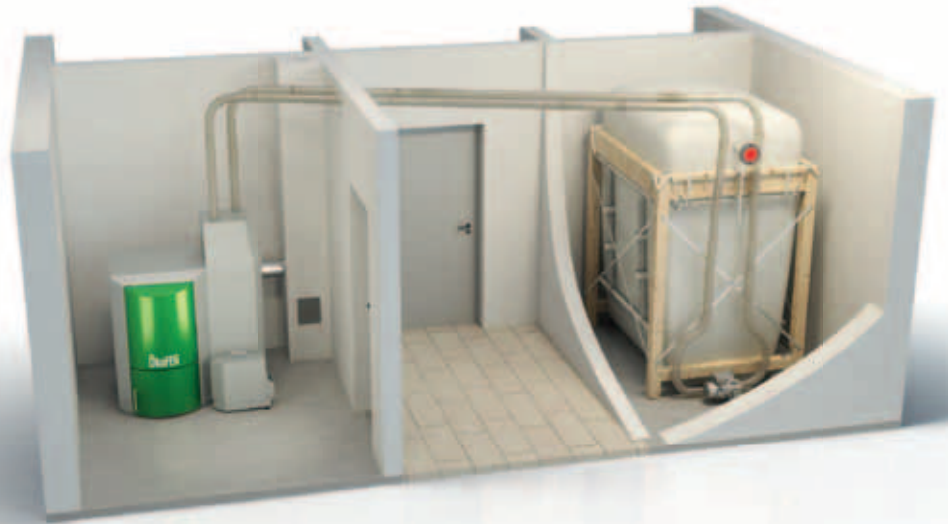
12 kW x 400 kg = 4.8 t > KGT2618

### The size of the storage room

There are some basic requirements for a pellet storage room. It must be at least 8cm wider than the flexi tank itself and 30cm longer than the tank on the side with the filling unit.

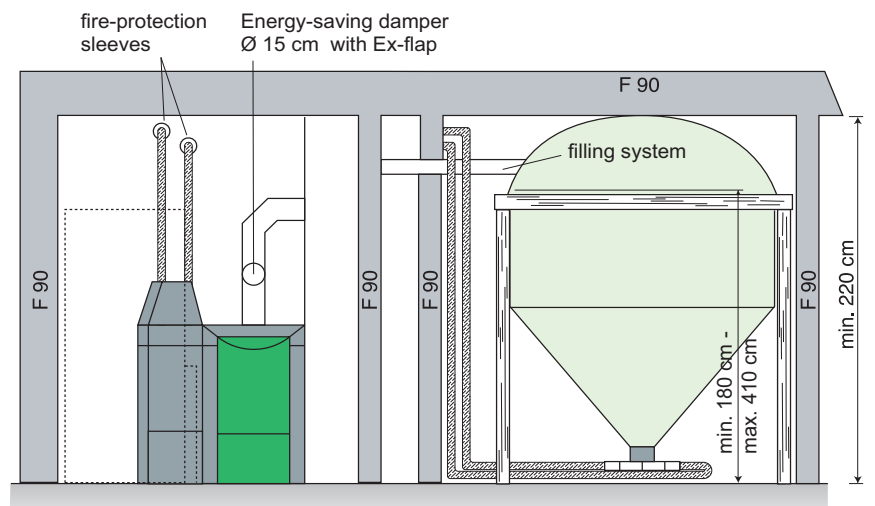
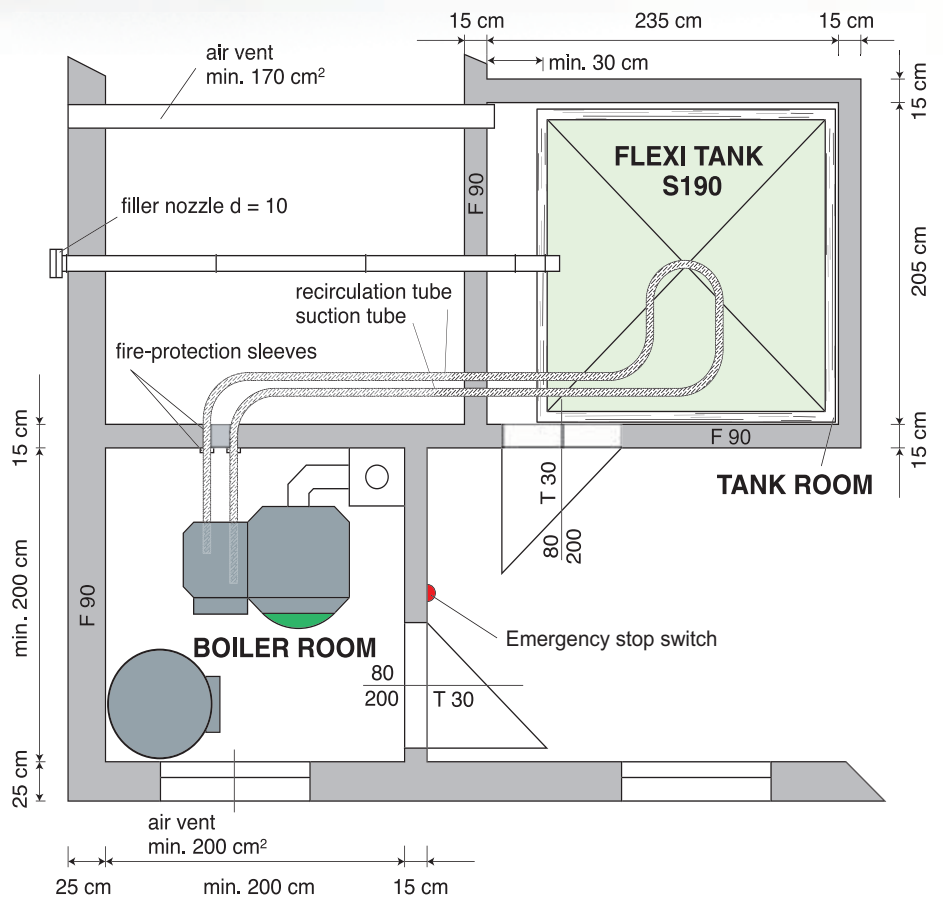


## Flexi tank with vacuum system



Pellets may be delivered from the fabric tank to the boiler using the suction system, with a maximum hose length of 20 m.

**The suction system is used where an auger delivery system is unsuitable, for example if there is a long distance or complex route between the fabric tank and the boiler.**

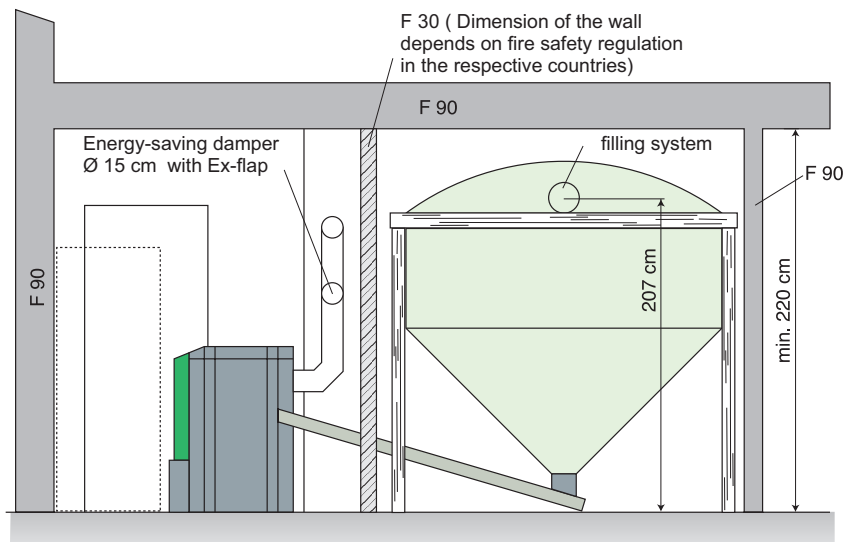
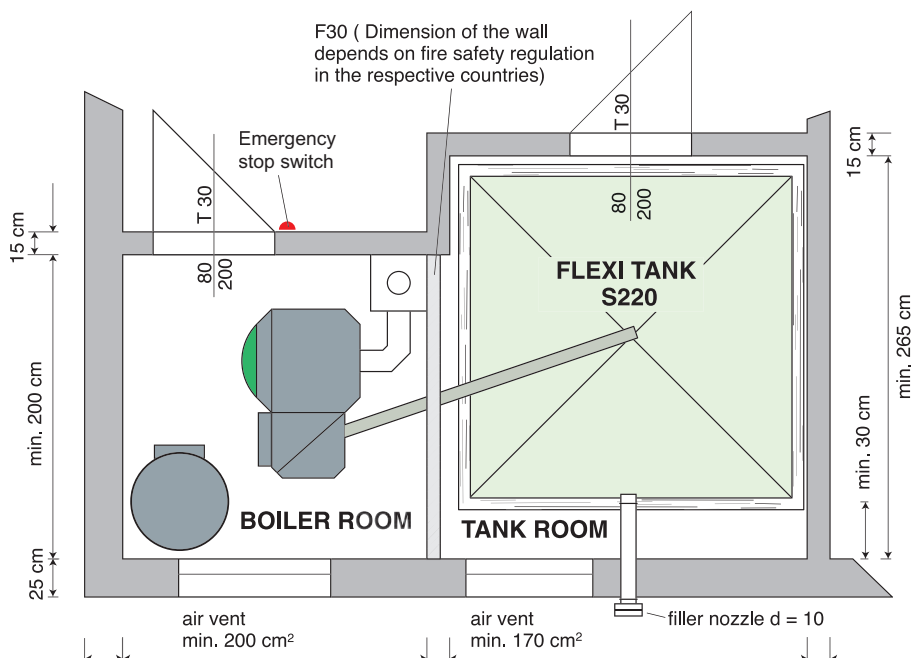


## Flexi tank with delivery system



The fabric tank is a very economical storage system, made from high quality woven polyester textile and sustainable wood offering many advantages such as: **quick installation, antistatic properties and air permeability whilst filtering dust.** The ideal solution for damp storage areas, tanks can even be installed outdoors as long as they are protected from rain and UV radiation.

The auger system is the most cost-effective solution for transferring pellets to the boiler, it is best used when the fabric tank is positioned adjacent to the boiler.



Systematic storage  
and pellet transport

# Pellet storage room

THE TRIED-  
AND-TESTED

## Classic

PELLET STORAGE  
SOLUTION



### Is your cellar a suitable storage room?

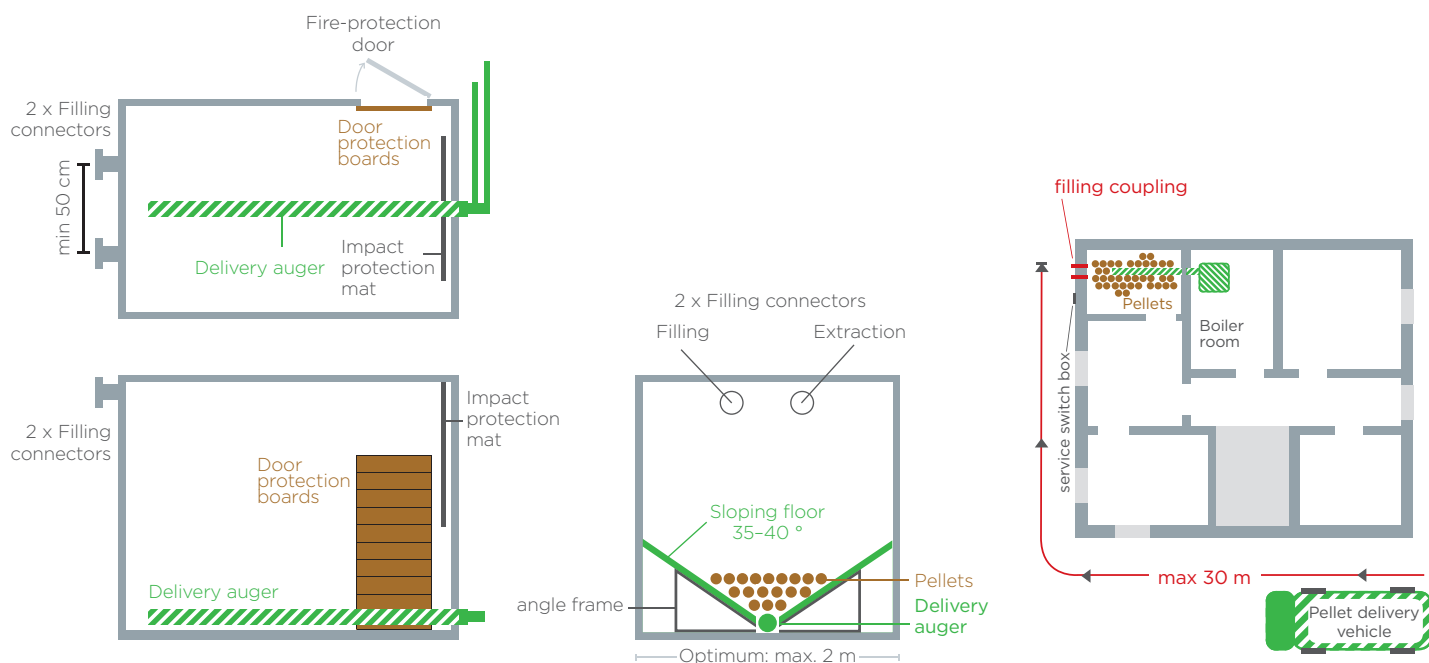
- ✓ heating load      storage space  
                                 volume  
**per 1 kW = 0.9 m<sup>3</sup>** (incl. empty space)
- Example:  
 $12 \text{ kW} \times 0.9 = 10.8 \text{ m}^3 >$   
 $L \times B \times H / 2.5 \times 2 \times 2.2$

- ✓ **Dampness and moisture**  
make pellets **unusable**



Storage rooms:  
popular and reliable

# The advantages of the original way to store pellets



## STORAGE ROOM EQUIPMENT

- ✓ 2 filling connectors (distance of at least 50 cm)
- ✓ Impact protection mat (distance of 20 cm from the wall)
- ✓ Sloping floor
- ✓ Delivery auger
- ✓ Door protection boards incl. door rails
- ✓ Fire-protection door (min T30) 80/200 or 80/120 cm
- ✓ Tank room ventilation assembly (optional)

All the accessories are available from ÖkoFEN.

## EMPTYING THROUGH SLOPING FLOOR

A sloping floor is the ideal configuration for a pellet store, allowing the space to empty completely of pellets.

**Not only does this allow for the maximum efficiency in feeding the fuel to the boiler, but it removes the need to clean the store room manually each year by avoiding a build-up of unused pellets.**

ÖkoFEN can supply angle brackets designed to give the optimum angle for a sloping floor substructure.

## KEEP CLEAR OF MOISTURE

The wood pellet storage room can be up to 30 metres away from the approach to the house. Ideally the storage room should be adjacent to an exterior wall.

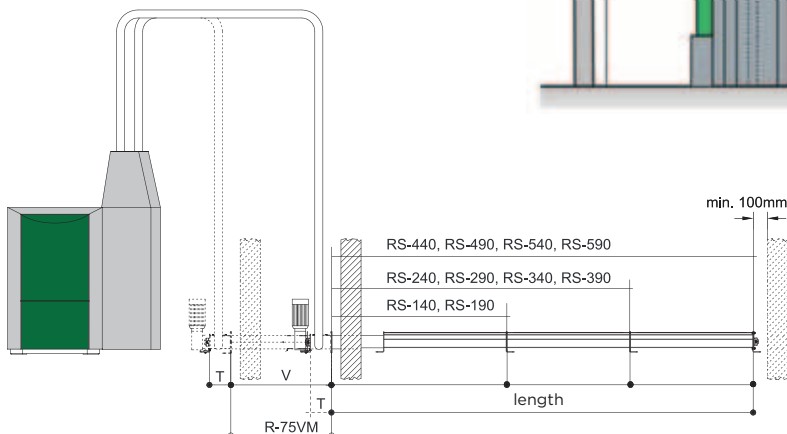
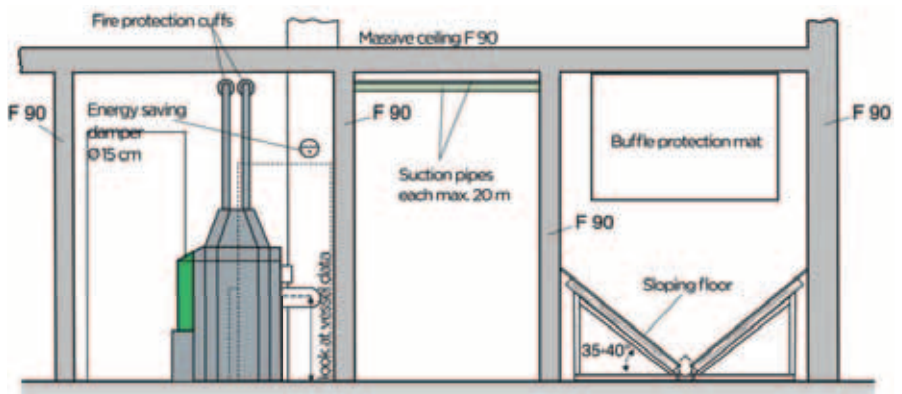
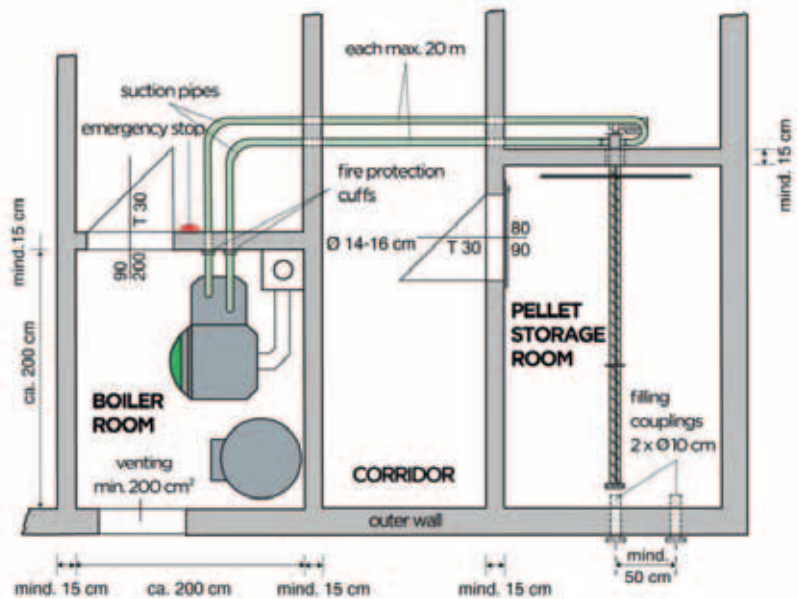
Should the storage room be internal the filler pipe and outlet pipe should be directed to the outer walls.

## Storage room with vacuum system



When the boiler room is not directly next to the storage room this configuration is used.

The vacuum system transports wood pellets up to 20 metres. Allowing the storage room to be situated next to the residential building in an outbuilding.



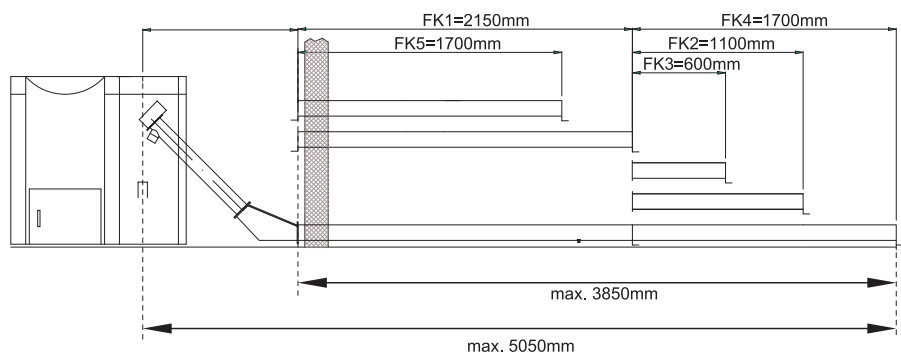
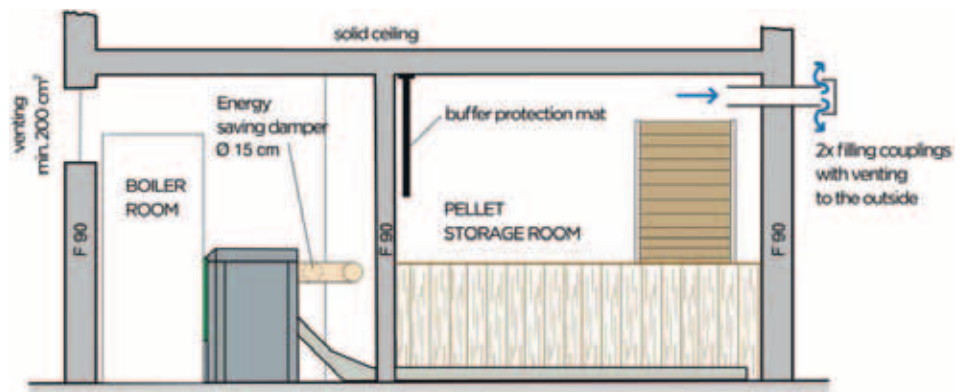
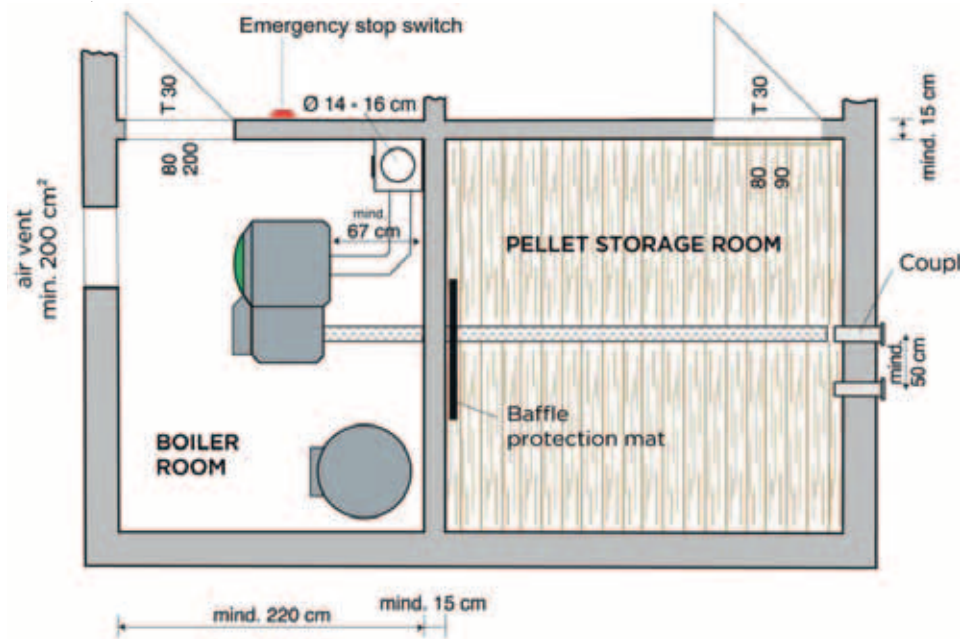
RS-140	length = 1,400 mm	RS-440	length = 4,400 mm
RS-190	length = 1,800 mm	RS-490	length = 4,900 mm
RS-240	length = 2,400 mm	RS-540	length = 5,400 mm
RS-290	length = 2,900 mm	RS-590	length = 5,900 mm
RS-340	length = 3,400 mm	R-75VM	V = 750 mm
RS-390	length = 3,900 mm		

## Storage room with delivery system



The Storage room is the classic solution for wood pellets storage.

**The auger system is the most cost-effective solution** for transferring pellets to the boiler, it is best used when the storage room is next to the boiler.





The solar collector for cost-conscious forward thinkers

# Pellesol

HIGHEST  
QUALITY

**10 year  
guarantee**

ON SOLAR  
COLLECTORS

## Beautifully designed and from a single source

- ✓ **Meticulous workmanship** for the best quality possible
- ✓ Solar collectors **perfectly matched** with the ÖkoFEN boilers
- ✓ The **logical addition** to an ecological heating system
- ✓ **Timeless design**, simple frame



Awards

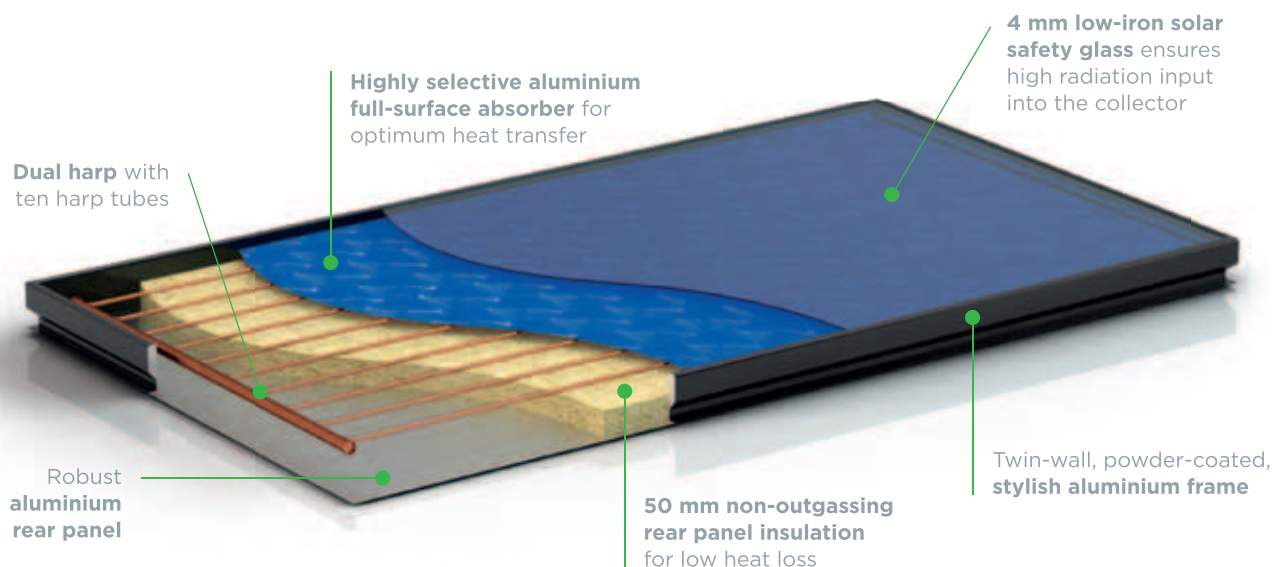
Made in Austria



All Pellesol solar collectors are manufactured in Linz, Upper Austria.



## Everything cleverly thought out:



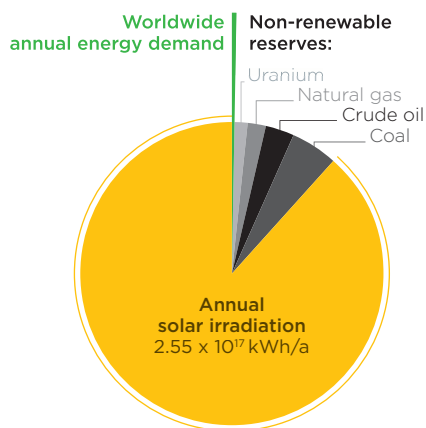
### SAVE WITH SOLAR ENERGY



**Make the most effective use of the sun's free energy and enjoy substantial savings on your heating costs.**

In the summer and whenever there is plenty of sunlight solar energy can meet almost all of your hot water and heating requirements.

### LIMITLESS AVAILABILITY



The sun is an inexhaustible energy source. **The radiation from it hitting the earth's surface every year corresponds to a thousand times the world's energy needs.**

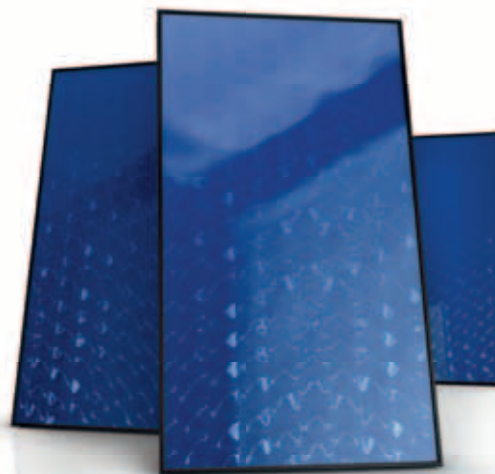
Unlike fossil fuels such as coal, gas, crude oil and uranium, it is unaffected by market speculation and available in unlimited quantities for billions of years.

### ROBUST ASSEMBLY SYSTEM



ÖkoFEN Pellesol installations are supplied with an easy-to-use, robust assembly system made from aluminium and stainless steel and designed to match the finish on the collectors.

Our system guarantees swift and **secure fitting that will maximise the service life** of the entire system.



## TECHNICAL DATA PELLESOL

	Pellesol-a horizontal	Pellesol- a vertical	Pellesol-i
Design	Flat-plate collector	Flat-plate collector	Flat-plate collector
Usage	On-roof / flat roof / freestanding installation	On-roof / flat roof / freestanding installation	In-roof
Orientation	Horizontal	Vertical	Vertical
<b>Construction</b>			
Frame	Welded aluminium profile	Welded aluminium profile	Wood
Glass cover	4 mm solar glass (float), transmission: 91.53%	4 mm solar glass (float), transmission: 91.53%	4.0 mm solar glass (float), transmission: 91.53 %
Sealing material	2K silicon	2K silicon	EPDM
Absorber	Aluminium full-surface absorber (harp) with highly selective coating; laser-welded; absorption: 95%, emission: 5%	Aluminium full-surface absorber (harp) with highly selective coating; laser-welded; absorption: 95%, emission: 5%	Aluminium full-surface absorber (harp) with highly selective coating; laser-welded; absorption: 95%, emission: 5%
Insulation	50 mm rock wool	50 mm rock wool	50 mm rock wool
Rear panel	0.4 mm aluminium sheet	0.4 mm aluminium sheet	4.0 mm HDF board
Connections	4 connections, Feed/return freely selectable	2 top connections, Feed/return freely selectable	2 top connections, Feed/return freely selectable
<b>Technical data</b>			
Total surface area	2.38 m <sup>2</sup>	2.38 m <sup>2</sup>	2.44 m <sup>2</sup>
Aperture area	2.22 m <sup>2</sup>	2.21 m <sup>2</sup>	2.22 m <sup>2</sup>
Absorbing area	2.20 m <sup>2</sup>	2.20 m <sup>2</sup>	2.20 m <sup>2</sup>
Length/width/height	2,064 mm / 1,154 mm / 98 mm	2,064 mm / 1,154 mm / 98 mm	2,077 mm / 1,170 mm / 107 mm
Weight (empty)	38 kg	43 kg	53 kg
Max. operating pressure	10 bar	10 bar	10 bar
Max. no-flow temperature	188.9°C	192.3°C	189°C
Absorber volume	1.57 l	1.54 l	1.54 l
Harp tube diameter	8 mm	8 mm	8 mm
No. of harp tubes	10	10	10
Header diameter	22 mm	22 mm	22 mm
Permissible collector iclination	min 15°, max 75°	min 15°, max 75°	min 20°, max 70°

Please pay attention to technical changes!

The multifunctional stratification cylinder

# Pellaqua

AVAILABLE  
IN 3 SIZES

**All in one**

INSTALLATION  
COMPLETELY  
INTEGRATED

**Increases the efficiency of the heating system**

- ✓ **Increases the annual output** of the heating system
- ✓ **Saves heating costs** by improving fuel usage
- ✓ Ensures a **long pellet boiler service life**

#### Cylinder sizes

600 litres  
800 litres  
1.000 litres



## TECHNICAL DATA PELLAQUA

		600	800	1000
Volume	l	600	800	1000
A diameter without insulation	mm	700	790	790
B diameter with insulation	mm	930	1,020	1,020
C height without insulation	mm	1,750	1,750	2,180
D height with insulation (without exhaust)	mm	1,870	1,870	2,310
Tilting dimension	mm	1,800	1,800	2,200
Clearance for installation	mm	700	800	800
Weight	kg	165	175	205

### Materials:

	S235JR	S235JR	S235JR
Casing	S235JR	S235JR	S235JR
Drinking water stainless steel pipe exch.		1.4404	
Thermal solar plate heat exchanger		1.4404	

Thermal solar rib pipe heat exchanger

Cu n. EN12452

### Max. allowable working pressure:

Boiler	bar	3
Drinking water stainless steel pipe exch.	bar	6
Thermal solar plate heat exchanger	bar	10
Thermal solar rib pipe heat exchanger	bar	28

### Surface of the heat exchanger

Drinking water stainless steel pipe exch.	m <sup>2</sup>	7	7	10
Thermal solar plate heat exchanger	m <sup>2</sup>	3	3	4
Thermal solar rib pipe heat exchanger	m <sup>2</sup>	2.6	2.6	3.6

### Volume exchanger:

Drinking water stainless steel pipe exch.	l	20	20	33
Thermal solar plate heat exchanger	l	1.4	1.4	1.9
Thermal solar rib pipe heat exchanger	l	2	2	2.8

### Insulation:

Fleece	mm	100
--------	----	-----

### NL numbers acc. DIN 4708-3

at 12 kW post heating	NL 2	NL 2	NL 4
at 15 kW post heating	NL 2,5	NL 2,5	NL 5
at 20 kW post heating	NL 3	NL 3	NL 6
at 25 kW post heating	NL 4	NL 4	NL 7
at 32 kW post heating		NL 4,5	NL 8
at 36 kW post heating		NL 5	NL 9

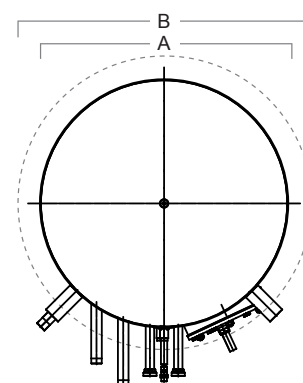
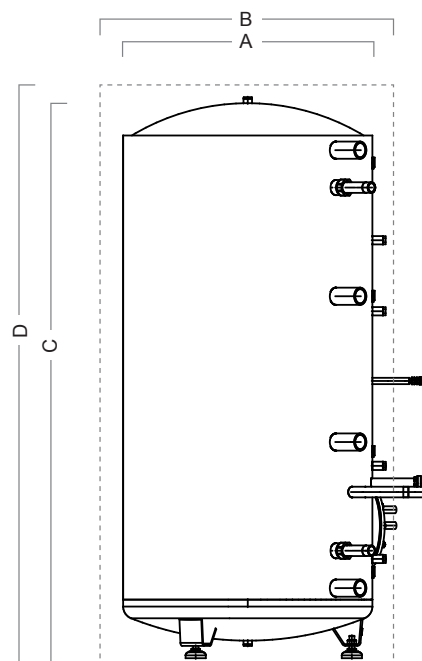
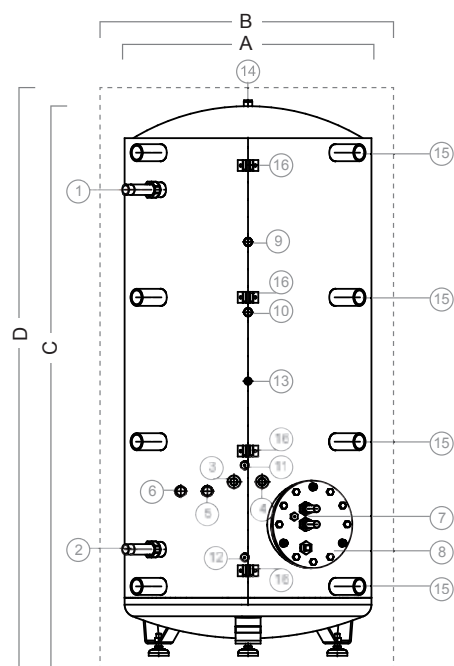
### Pour capacity

Without post heating (by 65°C buffer temp., 38°C water extraction, 13 l/min)	l	520	650	920
Max. water extraction: 30 l/min				

Please pay attention to technical changes!

NOTE drinking water stainless steel pipe exchanger

The use of an expansion tank in the cold water supply line to the buffer is recommended to avoid any pressure variation and noise (ADG 12-TW).

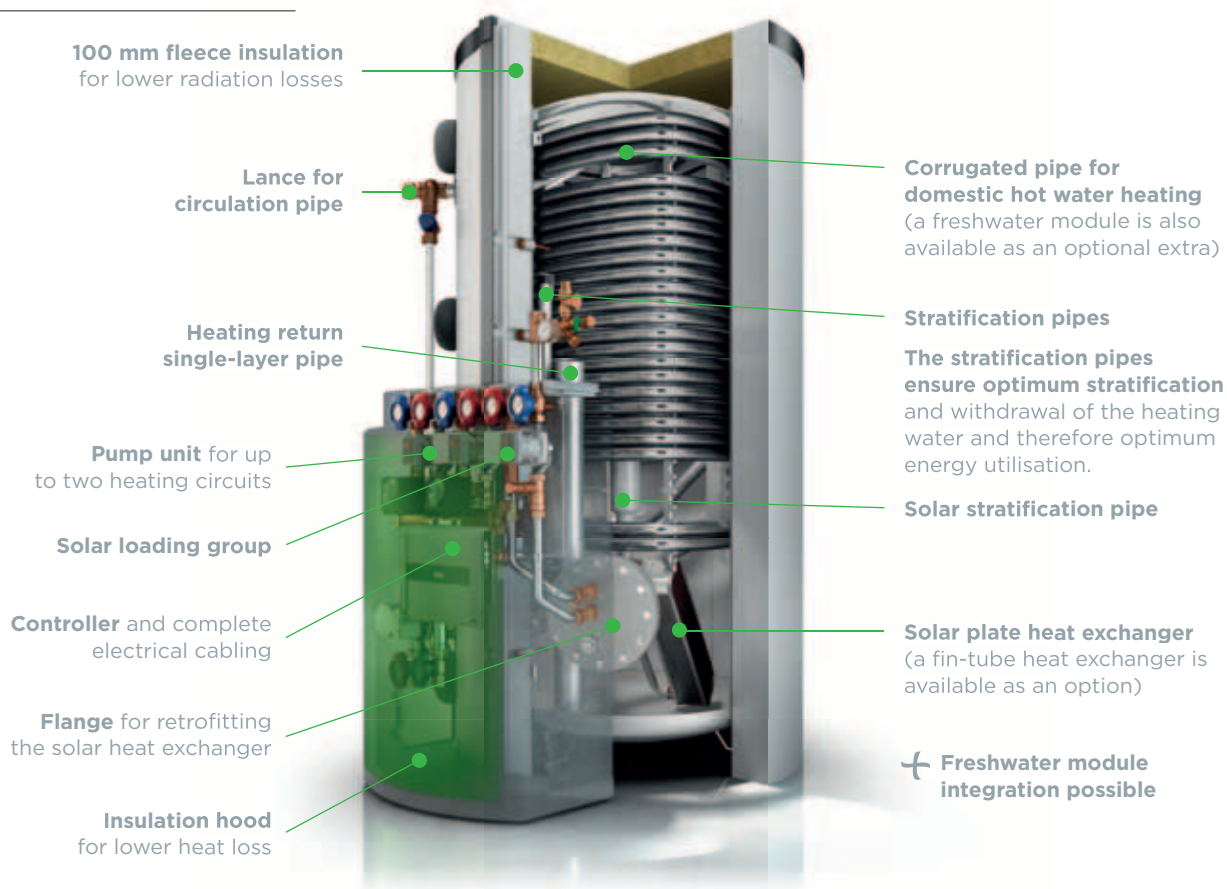


### Legend

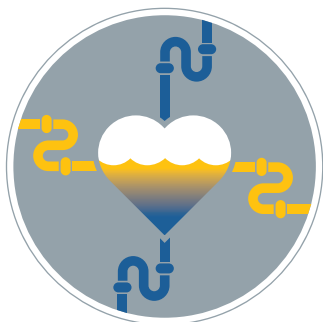
- |  |  |
|--|--|
| 1 Domestic water outlet IG 1"                | 10 Immersion sleeve 6 mm buffer sensor up    |
| 2 Domestic water supply IG 1"                | 11 Immersion sleeve 6 mm buffer sensor down  |
| 3 Flow heating circuit                       | 12 Immersion sleeve 6 mm buffer down (solar) |
| 4 Return heating circuit                     | 13 Hydraulic unit fixing sleeves DN 20 mm    |
| 5 Flow boiler                                | 14 Exhaust 1/2"                              |
| 6 Return boiler                              | 15 Extra nipple 6/4"                         |
| 7 Flow solar loading/ Return solar loading   | 16 Sensor mounting plate for extra nipples   |
| 8 Flansch Solar                              |  |
| 9 Immersion sleeve 6 mm TBO (domestic water) |  |



## More than a conventional accumulator tank.



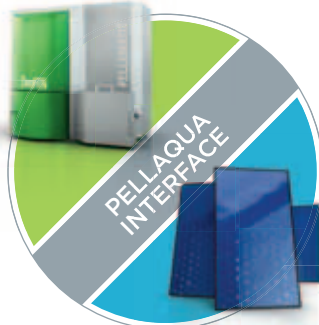
### WHY USE AN ACCUMULATOR TANK?



The accumulator tank is the storage heart of your heating system. It balances out differences between energy generation and energy consumption, which has the dual benefits of controlling costs and reducing wear and tear on your boiler.

**The number of burner starts is kept to a minimum by storing the energy you have already generated, leading to less pellet consumption, lower stresses on the boiler and less impact on the environment.**

### COMPLETE AND VERSATILE



The Pellaqua is far superior to conventional accumulator tanks. It accomplishes a number of functions as the interface between your solar system and pellet boiler.

**All of the pumps for the heating distribution circuit are contained within the Pellaqua, as are all of the heat exchangers for solar energy input and domestic hot water from your boiler.** It is fully integrated into the Pellematic control system and ready-wired for swift connection into your installation. It can even be retrofitted with a solar heat exchanger if you add solar collectors at a later date.

### HEAT STRATIFICATION SYSTEM



The Pellaqua is designed in such a way that the heat from both the solar thermal system and the heating system enters into the accumulator tank via two ideally matched stratification pipes.

**This ensures the most effective stratification of the hot water and leads to more efficient and cost-effective use of the heat you have produced.**



**Herbert Ortner & Stefan Ortner**  
Company founder & Managing Director



“  
**Our strategy:  
 The best product  
 for the best fuel.  
 This makes us the  
 benchmark in heating  
 with pellets.**  
 ”

<b>PIONEERING SPIRIT</b>	<b>CONSERVATION</b>	<b>RESPONSIBILITY</b>	<b>QUALITY</b>
<p>We are always searching for new solutions. The development of the world's first type-tested pellet boiler, the integration of condensing technology with pellets, and the presentation of a pellet boiler for generating power have made us the benchmark in heating with pellets.</p>	<p>Furthermore, we are committed to environmental protection. Apart from using the CO<sub>2</sub>-neutral, renewable raw material that is wood, we feel committed to the environment in other areas as well. 100% green electricity, low-energy construction methods for our company buildings, electric vehicles for company cars – to name just a few examples.</p>	<p>Listen, consider, act sustainably – this is our creed in our dealings with each other, our partners, our customers and the public. The result: Continuous product improvement and long-term decentralised structures lead to top marks in customer satisfaction surveys within our markets.</p>	<p>An extremely reliable and robust product of the highest technical standard. This is our aspiration along the entire chain. From research and development, to production, through to customer service, the trust of our customers and the requirements of the future are our obligation and our motivation.</p>

  
 Pellet pioneer & company founder  
 Herbert Ortner

  
 Managing Director  
 Stefan Ortner



## Dynamic growth and deep roots

# From pioneer to premium world brand

The story of the modern pellet boiler began in a converted cowshed in Austria. In the mid-eighties, following the second oil crisis, Herbert Ortner set himself the goal of supplying homes with heat, without the need for oil. Together with two employees, he started producing heating systems fuelled by woodchips. It soon became apparent that woodchips are only suitable for the farming sector or large systems.

On the other hand, wood pellets offered convincing benefits. However, these were little known and very scarce in Central Europe. Nevertheless, Herbert Ortner developed a device for them in 1997: Europe's first pellet boiler – the ÖkoFEN Pellematic range. Its technical convenience presented customers with an alternative to heating with oil.

The timber industry followed suit, turning what had previously been worthless sawdust into a high grade fuel – creating substantial added value. **And because pellet boilers were becoming increasingly popular, ÖkoFEN ceased production of wood-chip boilers in 1999. From then on, their attention was focussed on pellet boilers, which were now also being exported.**

Today, ÖkoFEN is Europe's specialist in pellet heating systems, with a modern production facility and several hundred employees throughout Europe. ÖkoFEN has also paved the way for pellet heating technology beyond the borders of German-speaking countries. 50,000 installed systems, subsidiaries in 17 countries worldwide, and groundbreaking innovations justify the decision to specialise in pellets.

03



05



06





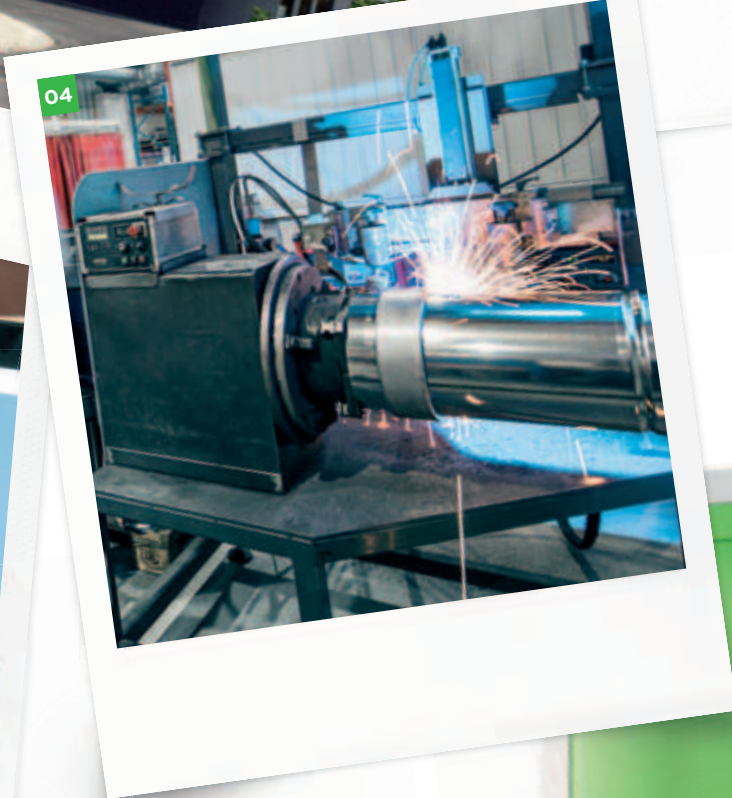
01



02



04



- 01** One man - one pellet boiler.  
True to this motto, each engineer assembles each pellet boiler alone from A to Z.
- 02** ÖkoFEN's German head office has been located in Mickhausen near Augsburg since 2006.
- 03** Home: The Mühlviertel, Upper Austria
- 04** Component production in Purgstall, Lower Austria.
- 05** Innovations are developed and tested on an ongoing basis in the Research & Development department.
- 06** Everything in stock and ready for assembly - Made in Austria

ÖkoFEN

Always nearby,  
always there for you:



At ÖkoFEN sales and customer service  
belong inseparably together.



# Your ÖkoFEN Service

## WWW.PELLETSHEIZUNG.COM

You can find our contacts for your region or country on our website at [www.oekofen.com](http://www.oekofen.com), along with comprehensive information on the subject of heating with pellets.

As pellet specialists, we and our associates offer plenty of information on proper planning, grants and subsidies, how to select the best pellet boiler for your needs, technical information about our products and an extensive glossary on the topics of pellets and heating.

## CUSTOMER SUPPORT

Many businesses in the heating industry are built around the centralised distribution of products by a handful of large partners and focused purely on sales. **However at ÖkoFEN, sales and customer service are inextricably linked.**

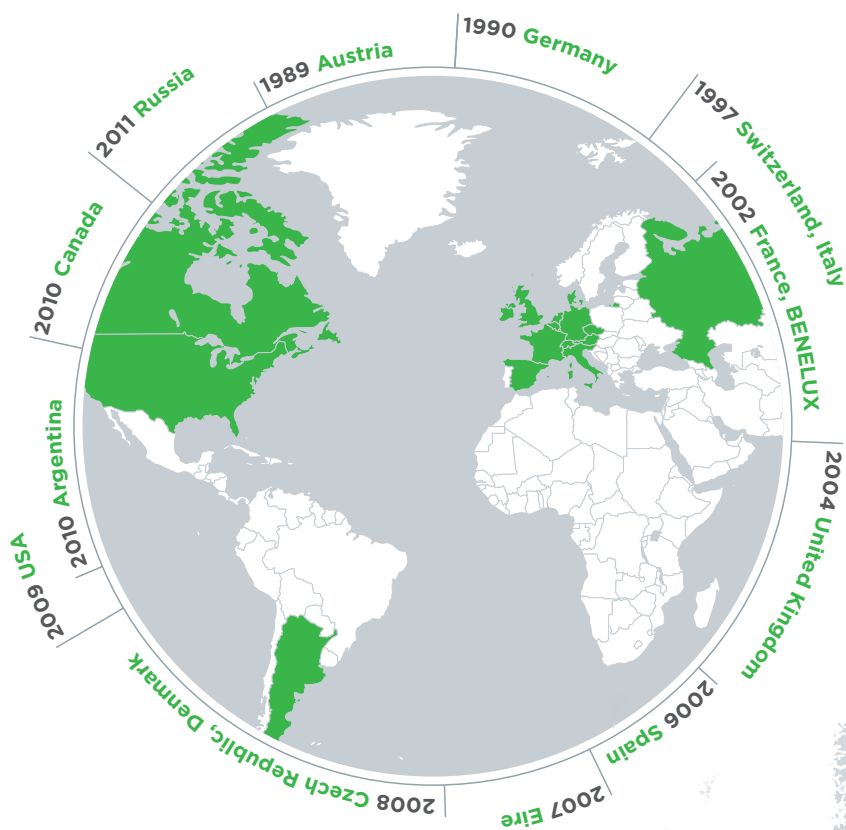
For this reason we are pushing ahead with the expansion of Europe's most extensive sales and service network for pellet heating systems. We work with carefully chosen partners around the world who meet our high standards for skills and our customer service ethos.

## THERE FROM THE BEGINNING

The responsibility of these ÖkoFEN agents does not end with the conclusion of the sale. **Rather, it extends from planning the system, to installing and commissioning it, through to ongoing support** for the product throughout its lifetime and beyond.

This philosophy provides customers with optimum planning for their system and then swift and efficient customer service with specialist staff. This guarantees reliable heating at home for every single customer – any time, any place.

## The most extensive sales & service network specifically for pellet boilers





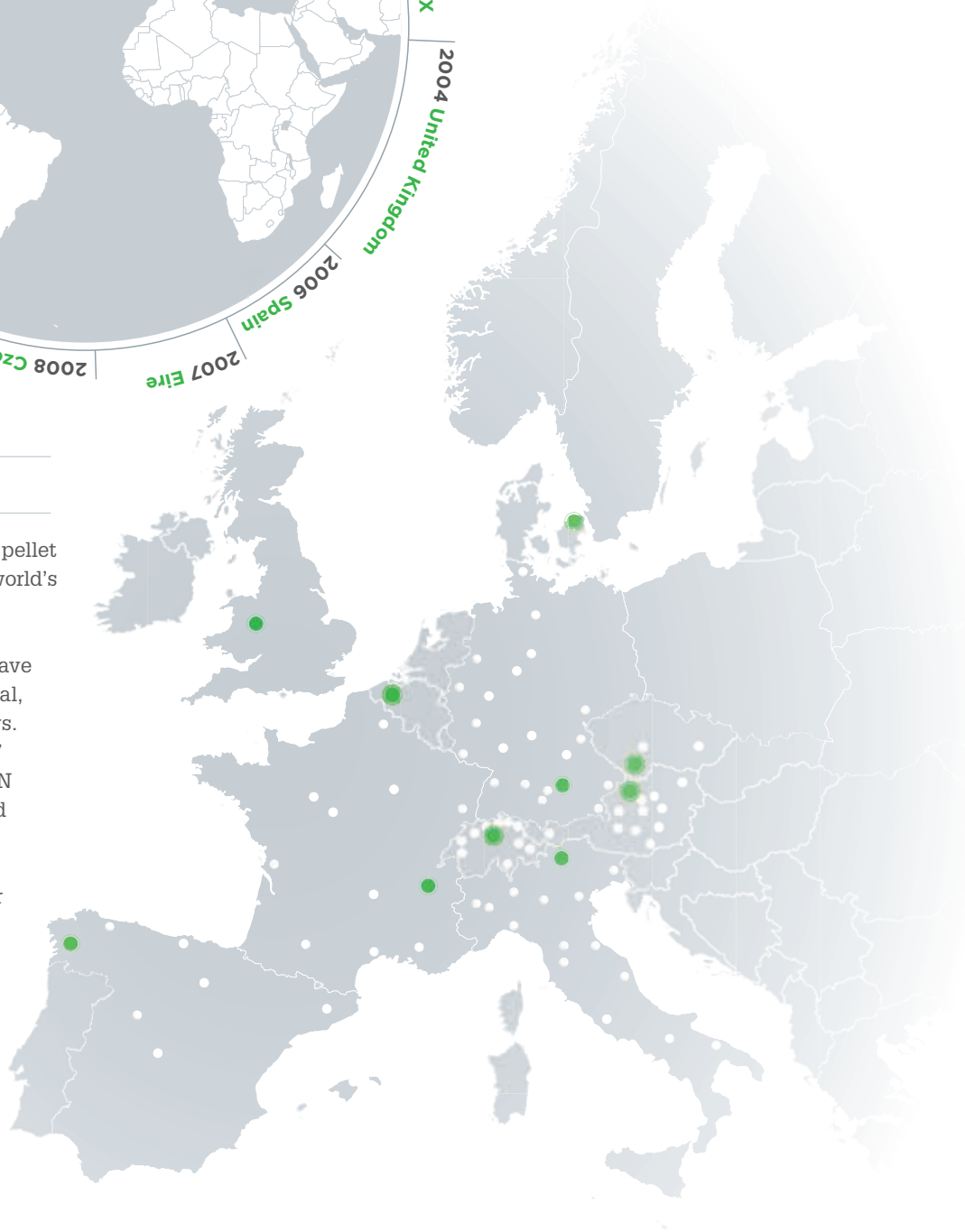
### ÖKOFEN WORLDWIDE

ÖkoFEN is Europe's specialist in pellet heating systems and one of the world's leading manufacturers.

More than 60,000 pellet boilers have already been supplied to industrial, commercial and private customers. ÖkoFEN is now represented in 17 nations and in all of them ÖkoFEN stands for innovation, quality and sustainability.

Addresses and contact details for all national head offices and subsidiaries can be found at [www.oekofen.com](http://www.oekofen.com)

-  National subsidiaries
-  Regional representatives







**HEATING  
TECHNOLOGY**



**STORAGE  
TECHNOLOGY**



**SOLAR & ACCUMULATOR  
TECHNOLOGY**

Your ÖkoFEN partner:

**United Kingdom & Ireland**

**Organic Energy (UK) Ltd**  
Severn Road Welshpool Powys  
SY21 7AZ  
tel.: 0 1938 530 070  
fax.: 0 1938 559 222  
e-mail: [info@organicenergy.co.uk](mailto:info@organicenergy.co.uk)  
[www.organicenergy.co.uk](http://www.organicenergy.co.uk)

**Austria - Head Office**

**ÖkoFEN Forschungs- &  
Entwicklungs Ges.m.b.H.**  
A-4133 Niederkappel, Gewerbepark 1  
tel.: +43 (0) 7286 74 50  
fax.: +43 (0) 7286 74 50-10  
e-mail: [oekofen@pelletsheizung.at](mailto:oekofen@pelletsheizung.at)  
[www.pelletsheizung.at](http://www.pelletsheizung.at)

**ÖkoFEN Worldwide**

**Belgium & Netherlands**  
Kuurne · [www.okofen.be](http://www.okofen.be)

**Czech Republic**  
Český Krumlov · [www.okofen.cz](http://www.okofen.cz)

**Denmark**  
Fyn & Sjælland: Jægerspris  
Jylland: Handewitt,  
Schleswig-Holstein  
[www.okofen.dk](http://www.okofen.dk)

**France**  
Saint-Baldoph · [www.okofen.fr](http://www.okofen.fr)

**Germany**  
Mickhausen · [www.oekofen.de](http://www.oekofen.de)

**Italy**  
Naturno · [www.okofen.it](http://www.okofen.it)

**Spain & Portugal**  
Pontevedra · [www.okofen.es](http://www.okofen.es)

**Switzerland**  
Menznau · [www.okofen.ch](http://www.okofen.ch)

**United Kingdom & Ireland**  
Powys, Wales · [www.okofen.co.uk](http://www.okofen.co.uk)

**Russia**  
Moscow · [www.biobum.ru](http://www.biobum.ru)

**USA**  
Bethel, Maine · [www.oekofen-usa.com](http://www.oekofen-usa.com)

**Canada**  
Saint-Romuald, Québec ·  
[www.resomass.com](http://www.resomass.com)

**Argentina**  
Misiones · [www.lipsia.com.ar](http://www.lipsia.com.ar)