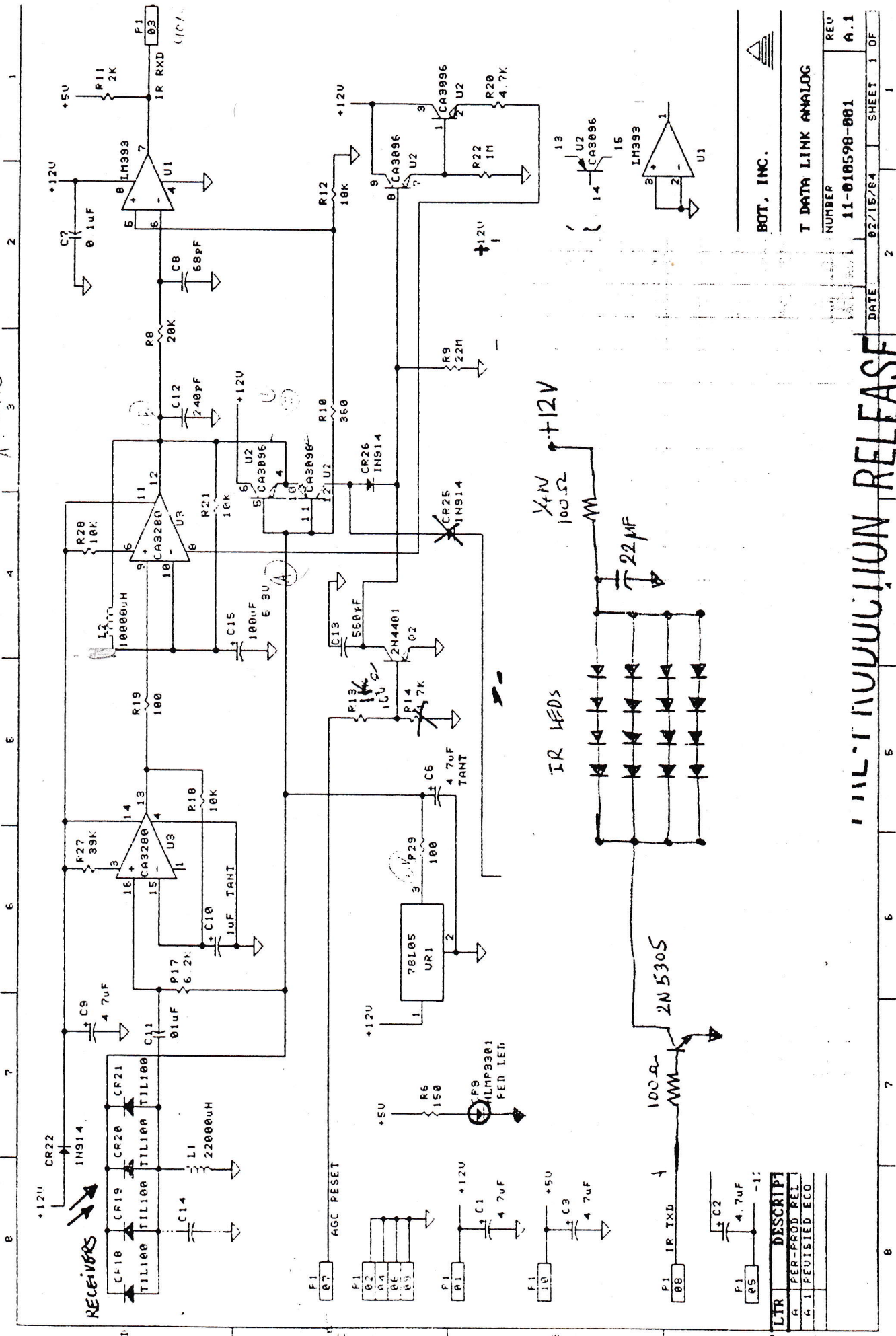


AGC PESET
A. C.V.D.C.



REV. A.1
 NUMBER 11-010598-001
 DATE 02/15/84
 SHEET 1 OF 1

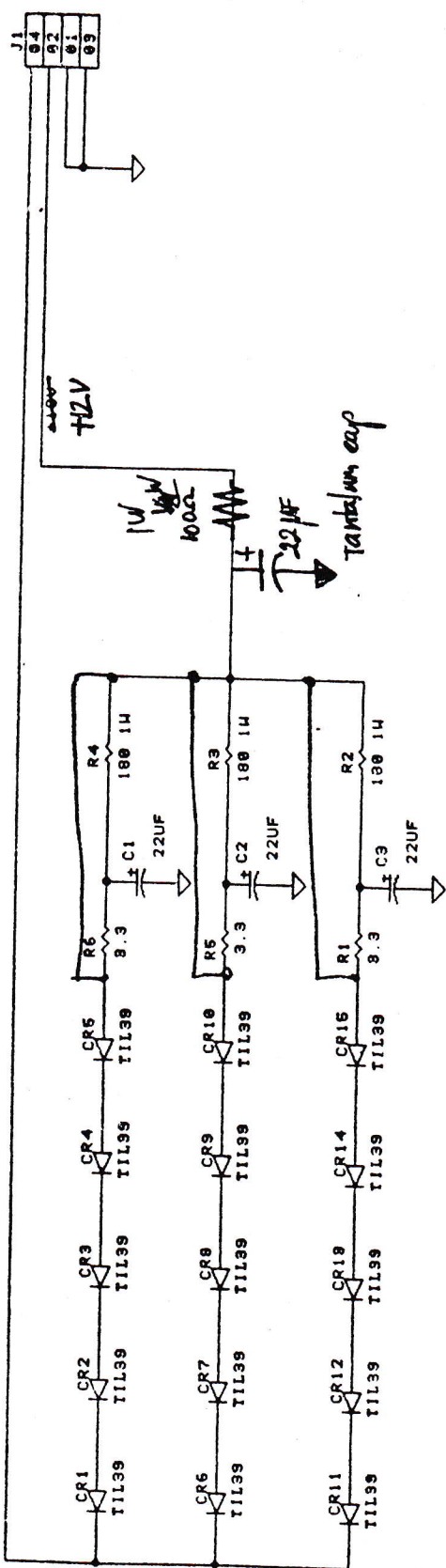
MULTIPLICATION RELEASE

LTR	DESCRPT
1	REP-PROD REL
2	REVISED ECO

⊗ CUT OPEN

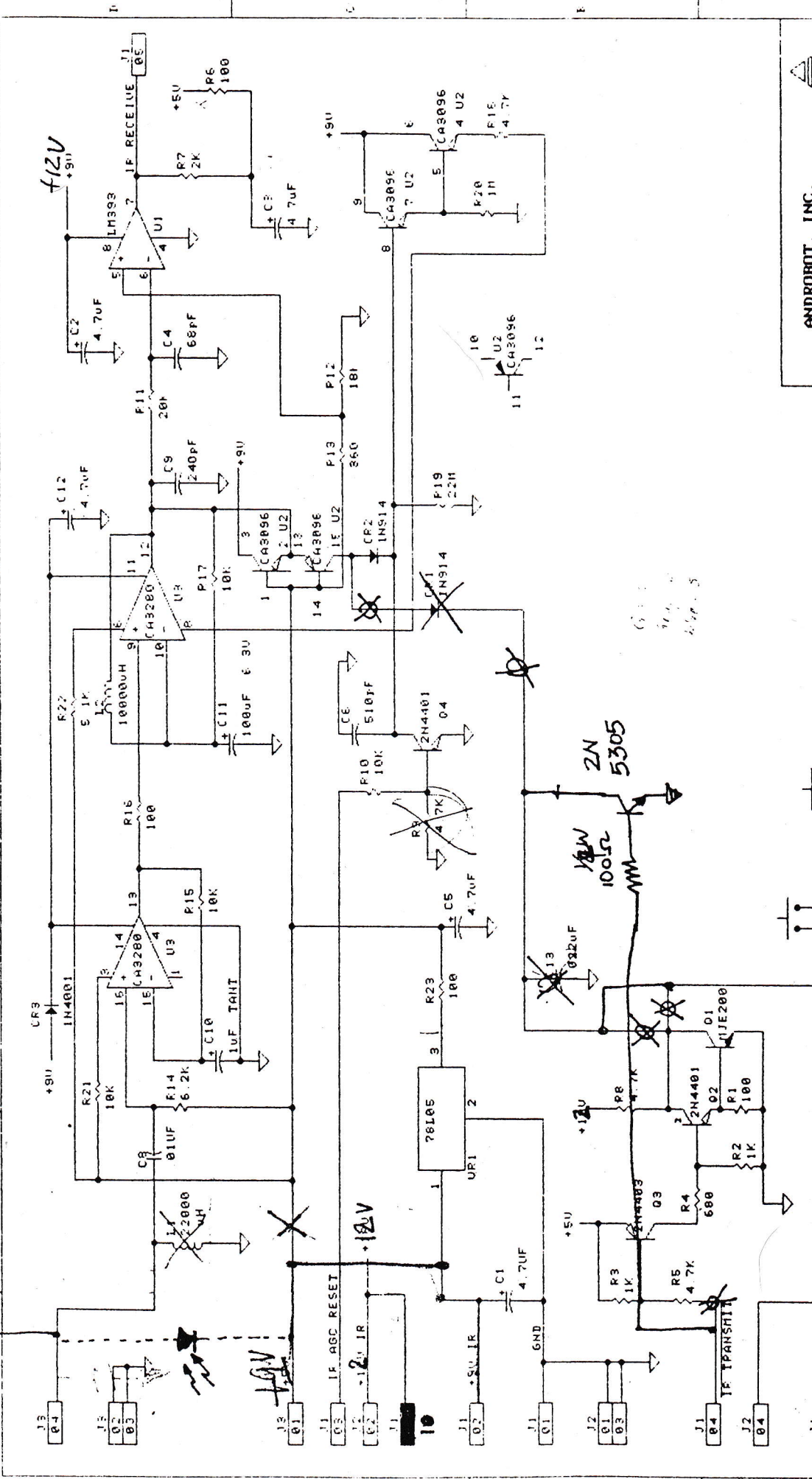
24/3

8 7 6 5 4 3 2 1

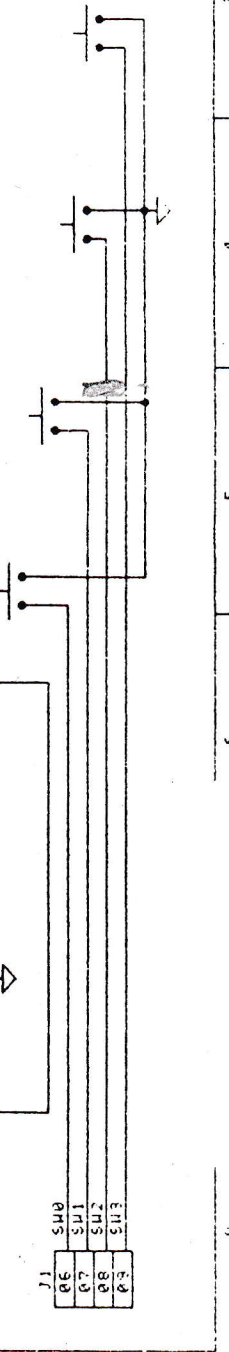


ANDROBOT, INC.		TITLE	
MOBILE TRANCEIVER SENSOR		MOBILE TRANCEIVER SENSOR	
SIZE	CODE	NUMBER	REV
B		11-010369-001	A
DATE		10/18/83	SHEET 1 OF 1

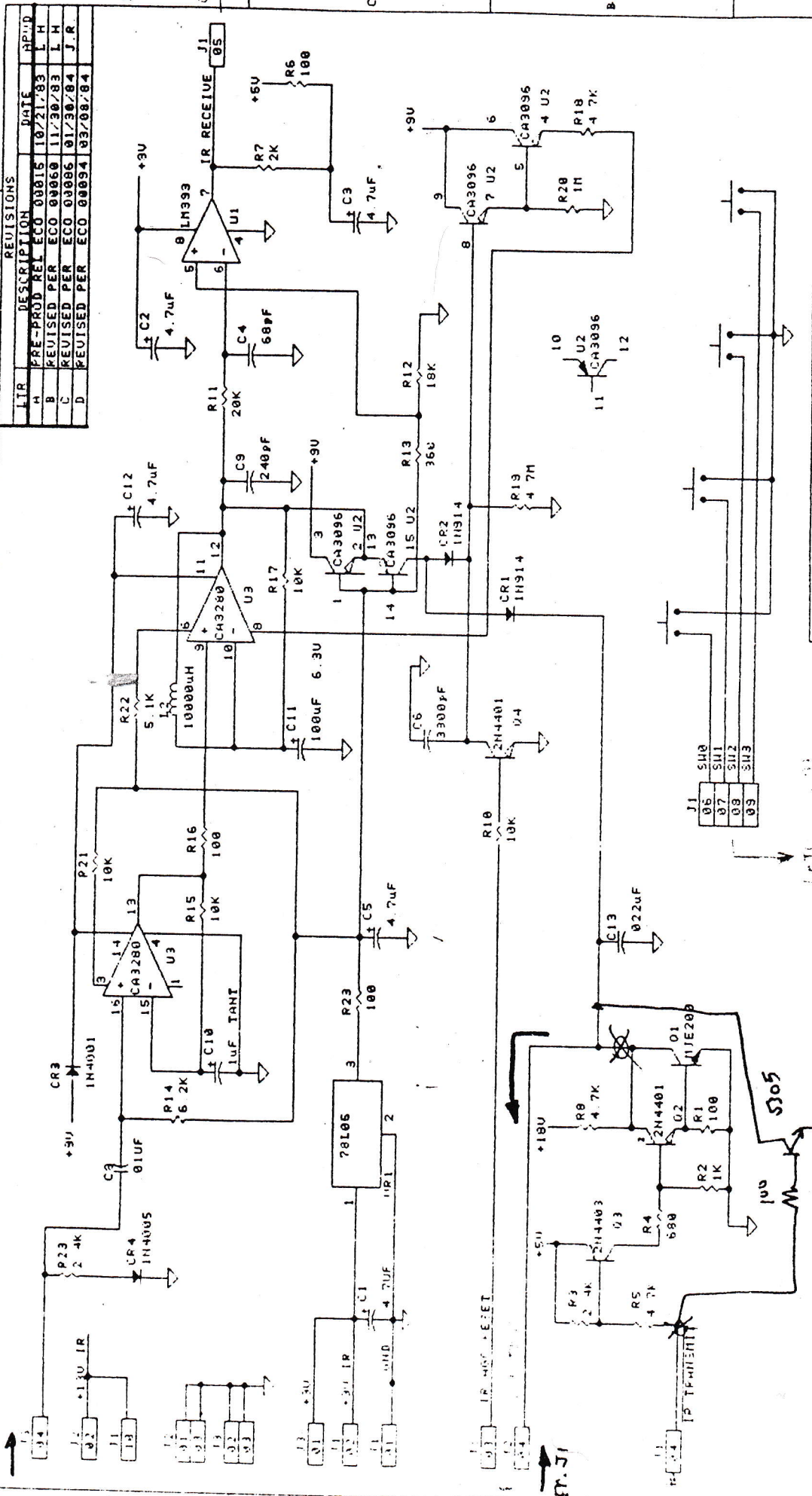
1000 5 500V
 100V
 100V



ANDROBOT, INC.	
TITLE MOBILE TRANSCIVER AMP	
SIZE B	CODE H
DATE 12.14.83	SHEET 1 OF 1



1 2 3 4 5 6
 I J K L M N O P Q R S T U V W X Y Z



REVOLUTION		DATE	APPROV
A	PRE-PROD REL ECO 00015	10/21/83	L.H.
B	REVISED PER ECO 00060	11/30/83	L.H.
C	REVISED PER ECO 00086	01/30/84	J.R.
D	REVISED PER ECO 00094	03/08/84	

DATE	03/03/84
DESIGNER	J. YOUNG
APPROVED	
REVISION	
CHKD	
TITLE	
MOBILE TRANSCIVER AMP	
SIZE	B
CODE	
NUMBER	11-010230-001
REV	D

ANDROBOT, INC.

DATE: 03/03/84
 DESIGNER: J. YOUNG
 APPROVED: _____
 REVISION: _____
 CHKD: _____

THIS DOCUMENT IS THE PROPERTY OF ANDROBOT, INC. AND
 SPECIFIC PROPRIETARY SUBJECT MATTER OF ANDROBOT, INC. ALL
 RIGHTS RESERVED. REPRODUCTION, REPRODUCTION USE AND SALE RIGHTS
 INCLUDING THE SAME ARE EXPRESSLY RESERVED. THIS DOCUMENT
 MAY NOT BE REPRODUCED OR INFORMATION HEREIN TRANSMITTED
 IN ANY MANNER WITHOUT WRITTEN CONSENT FROM
 ANDROBOT, INC. ALL COPYRIGHT, PATENT AND TRADE SECRET
 RIGHTS ARE EXPRESSLY RESERVED BY ANDROBOT, INC.